

USER'S GUIDE FIDC CARD

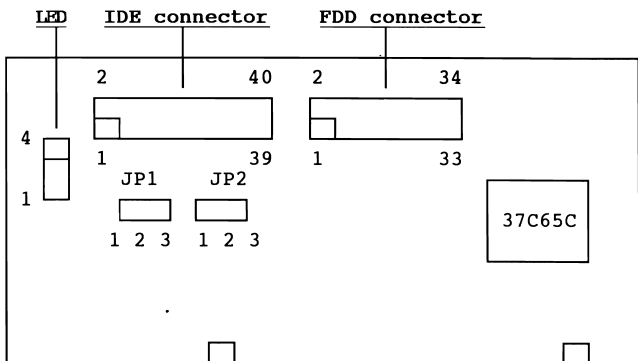
AT BUS DRIVE
AND FLOPPY DISK
CONTROLLER

1. INTRODUCTION

The floppy and integrated/embedded drive control card, FIDC, is designed for AT computer and compatible computers. The card can control up to two floppy disk drive and 2 integrated/embedded AT_BUS drive. The card supports floppy drive type can be 5 1/4" 360KB/1.2MB or 3 1/2" 720KB/1.44MB. With high performance AT_BUS drive, the card will make your system more cost effect and higher performance.

2. CONFIGURATION

Before install, Check the card's jumper and set it properly, the card will work on your system. The jumper's location and description as list below:



JP1: IOCS16 line with or without buffer output. .
 Set 1-2 with buffer output.
 Set 2-3 without buffer output.(factory set)

JP2: IRQ14 line with or without buffer output.
 Set 2-3 with buffer output.
 Set 1-2 without buffer output.(factory set)

FDD: 34 pins connector for floppy drive interface.

IDE: 40 pins connector for integrated / embedded drive interface.

LED: 4 pins connector for LED used. The LED will ON when drive is active.

NOTE:1.The IOCS16 and IRQ14 output with or without buffer is selectable, it depend on some mainboard and drives combination and ambiguous problem occurred,select it properly will overcome those problem.

2.The IDE cable come with card is a 3head and 50cm in length, it is suggested to use most short from card to drive when only 1 drive is installed.

3.To operate this card with integrated/embedded drive properly, please refer to the drive installation guide for details.

3. CONNECTOR'S PIN ASSIGNMENT

FDD INTERFACE PIN ASSIGEMENT (FDD)

NAME	NO.	NAME	NO.
-RWC	2	-INDEX	8
-MO1	10	-DS2	12
-DS1	14	-MO2	16
-DIRECTION	18	-STEP	20
-WD	22	-WE	24
-TRACK 0	26	-WP	28
-READ DATA	30	-HS	32
-DISK CHANGE	34		
GROUND	1-33	N.C	4,6

IDE INTERFACE PIN ASSIGNMENT (IDE)

NAME	NO.	NAME	NO.
-RESET	1	SD7	3
SD8	4	SD6	5
SD9	6	SD5	7
SD10	8	SD4	9
SD11	10	SD3	11
SD12	12	SD2	13
SD13	14	SD1	15
SD14	16	SD0	17
SD15	18	-IOW	23
-IOR	25	IOCHRDY	27
ALE	28	IRQ14	31
-IOCS16	32	SA1	33
SA0	35	SA2	36
-CS0	37	-CS1	38
-ACTIVE	39		
GROUND	2, 19, 22, 24, 26, 30, 40		
N.C	20, 21, 29, 34		

LED PIN ASSIGNMENT (LED)

NAME	NO.	NAME	NO.
ANODE	1	GROUND	2
ANODE	4	GROUND	3

*PC/XT/AT is trademark of IBM corporation.