

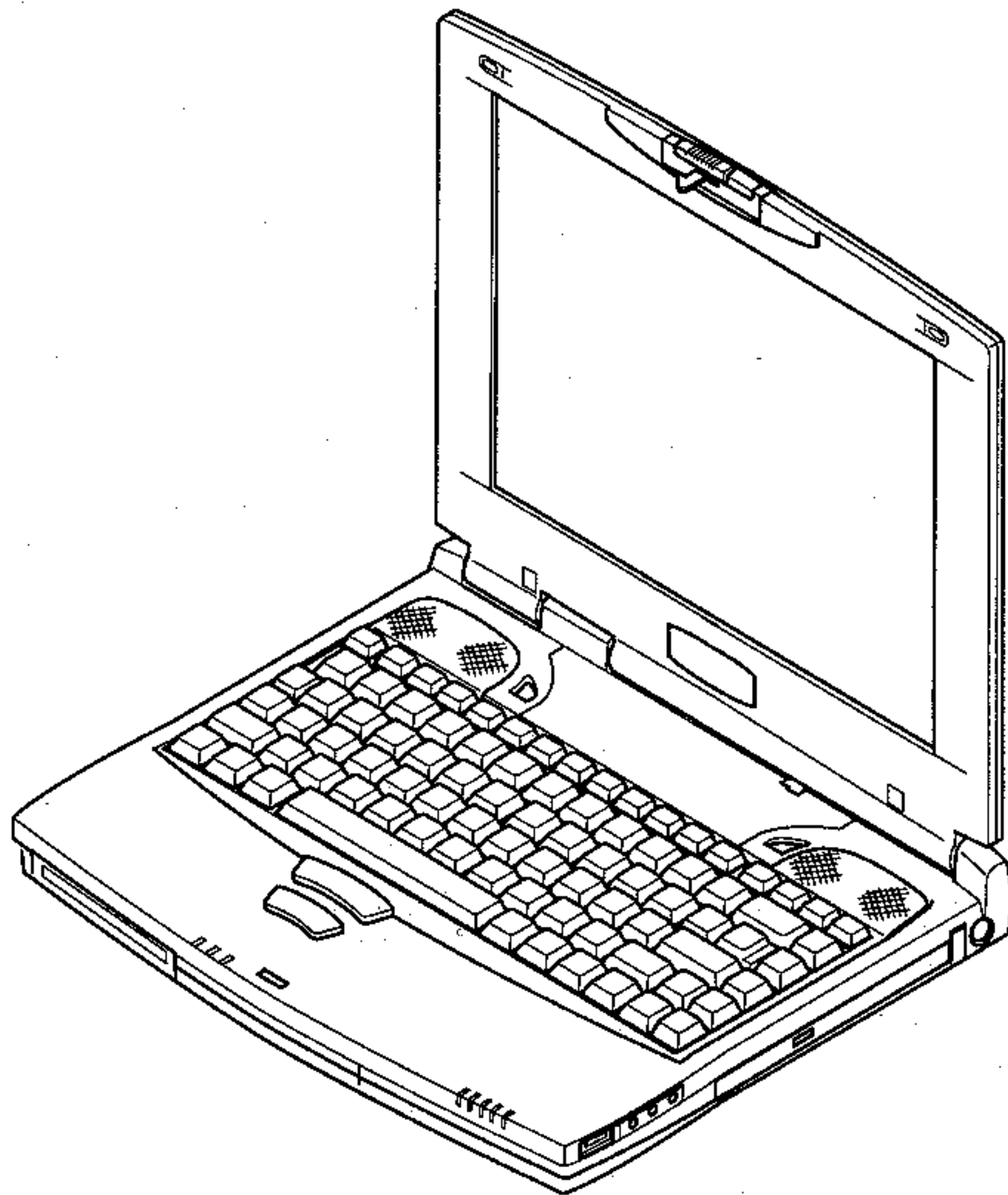
---

# PARTS LIST

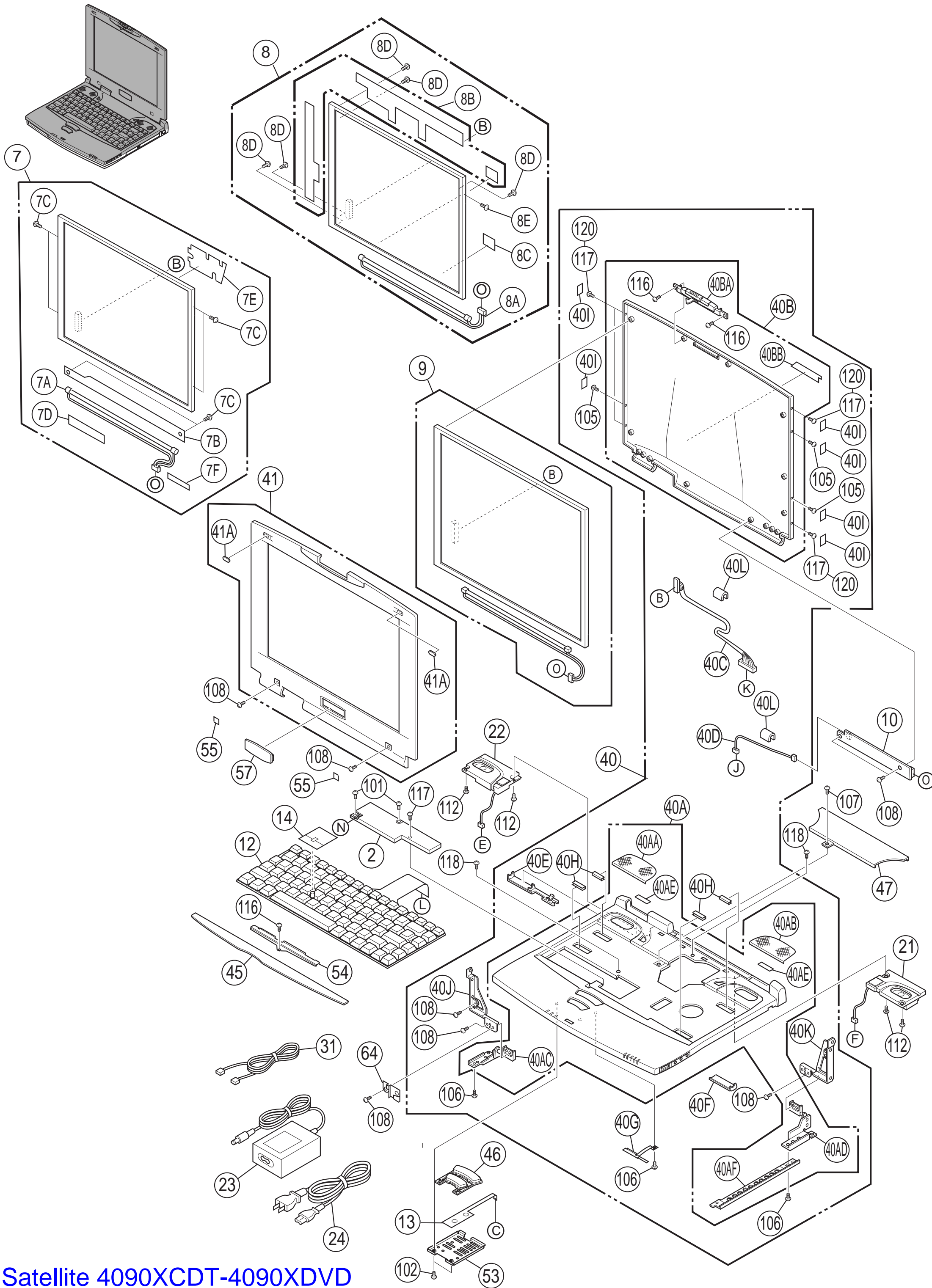
---

PERSONAL COMPUTER

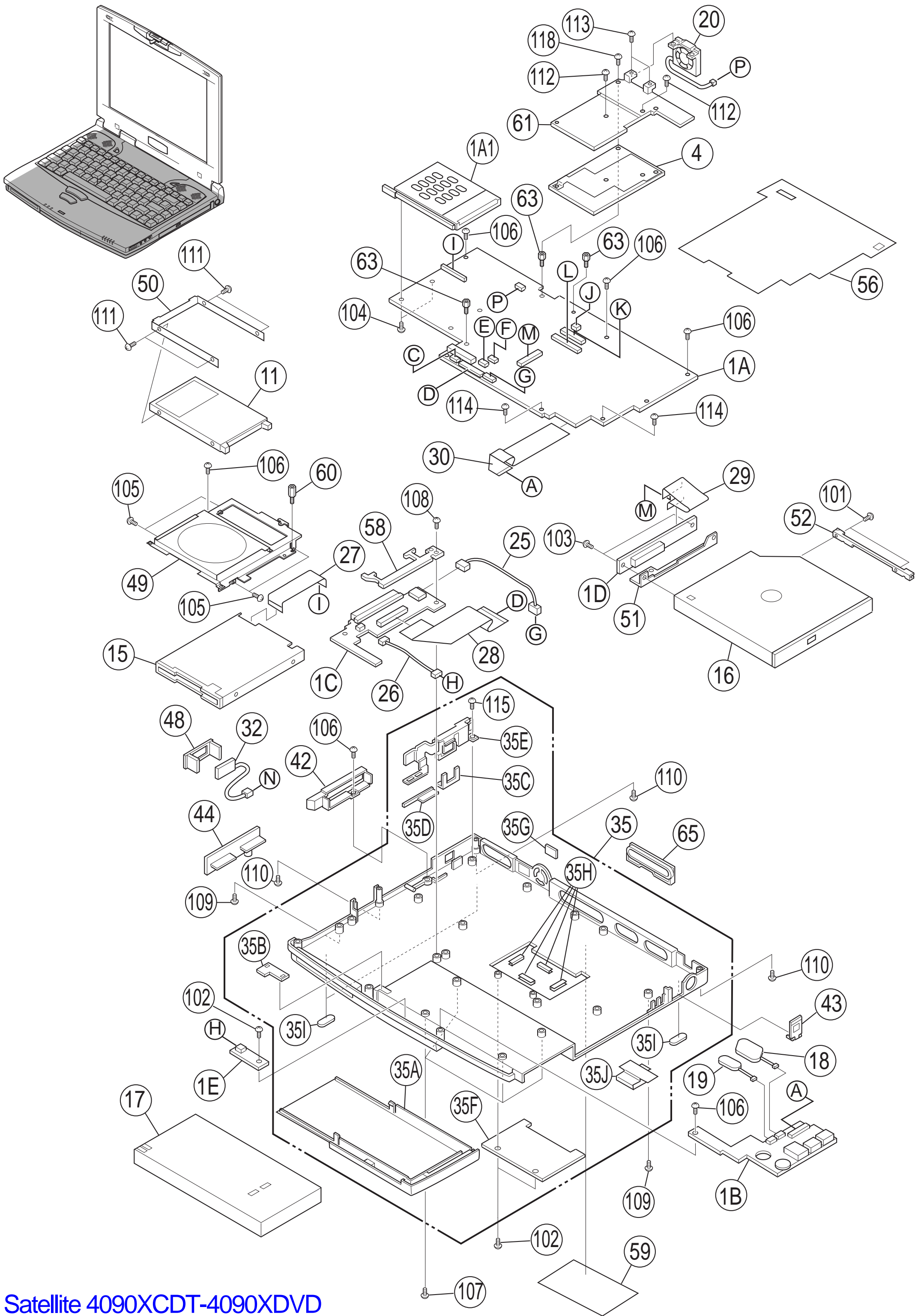
*Satellite 4090XCDT/XDVD*



**TOSHIBA**



Satellite 4090XCDT-4090XDVD



Satellite 4090XCDT-4090XDVD

## SYSTEM UNIT (PAS409\*-D/E)

ITEM NO.	PART NO.	PART NAME	QTY /PAC	ANTI STATIC PACK	REMARKS
1	P000270870	PCB SET	1	+	PCN0357ECZ01 79K202096G3
1A	N/A	PCB FVGSY2	1	+	(P000270910) B36082771033
1A1	P000266660	CARD BUS SLOT	5		G36220279063
1B	N/A	PCB FVGSD2	1	+	(P000270920) B36082781032
1C	N/A	PCB FVGHD2	1	+	(P000270930) B36082791031
1D	N/A	PCB FVGCD2	1	+	(P000270940) B36082801037
1E	N/A	PCB FVGSW2	1	+	(P000270950) B36082811036
2	P000268810	PCB FHSMD1	1	+	U,C,Z B36082501012
	P000277150	PCB FHSMW1	1	+	A B36082511011
	P000270010	PCB FHSMW1	1	+	E B36082511028
3	(reserve)				
4	P000276890	PCB MPPM1PDA400	1	+	400MHZ ZA2128P05
5-6	(reserve)				
7	P000272780	COL.LCD MODULE	1	+	14.1"XGA TFT SAMSUNG VF2020P01
		Use the item number (120) screw to			fix the LCD.
7A	P000273910	LAMP ASSY	1		VF2020P11
7B	P000273920	BACK COVER	3		VF2020P12
7C	P000273930	SCREW M2X2.5	10		VF2020P13
7D	P000273940	AL TAPE	10		VF2020P14
7E	P000273950	PCB COVER	5		VF2020P15
7F	P000273960	WIRE TAPE	10		VF2020P16
8	P000260610	COL.LCD MODULE	1	+	14.1"XGA TFT SHP VF2011P01
		Use the item number (117) or (120) screw to			fix the LCD.
8A	P000261390	FL TUBE	1		VF2011P11
8B	P000261400	COVER & TAPE	5		VF2011P12
8C	P000246170	FILAMENT TAPE	5		VF0162P14
8D	P000222400	SCREW M2X2.3	10		VF0164P12
8E	P000222410	SCREW M2X3	10		VF0164P13
9	Not used				
10	P000257540	FL INVERTER	1	+	UA0392P06
11	P000263870	HDD UNIT(4.3GB)	1	+	PAS409*-D HDD2134G
	P000279860	HDD UNIT(4.3GB)	1	+	PAS409*-D HDD2141B
	P000272250	HDD UNIT(6.4GB)	1	+	PAS409*-E HDD2136B
	P000271180	HDD UNIT(6.4GB)	1	+	PAS409*-E HDD2143B
	P000275010	HDD UNIT(6.4GB)	1	+	PAS409*-E ZA2121P01
12	P000256660	KEYBOARD UNIT	1	+	E IBM DCBA-206480 UE2005P01
	P000257600	KEYBOARD UNIT	1	+	U,C,A,L,Z,Q UE2005P02
13	P000270980	MEMBRANE SW	5	+	UE0279P23
14	P000257680	STICK CAP SET	5		UE2005PCS01
15	P000257590	FDD 3.5INCH	1	+	ZA1209P05
16	P000257580	CD-ROM DRIVE	1	+	PAS409*-D ZA2055P02
	P000263010	DVD-ROM DRIVE	1	+	PAS409*-E ZA2064P01
17	PA2487U G	BATTERY PACK			LI-ION (4000mAh) ACA0454AYZ01
	PA2487U RG	BATTERY PACK			WITH RECYCLE LABEL ACA0454BYZ01
18	P000220230	NI-MH BATTERY	5		SUB P71007004049
19	P000268840	NI-MH BATTERY	5		RTC P71035009115
20	P000264100	28-8 DC FAN	3		G36610111027
21	P000264110	SPEAKER	5		G36300116011
22	P000268850	SPEAKER	5		G36300116035

## SYSTEM UNIT (PAS409\*-D/E)

ITEM NO.	PART NO.	PART NAME	QTY /PAC	ANTI STATIC PACK	REMARKS
					PCN0357ECZ01
23	PA2450U	UNIVERSAL AC ADAPTER			U, C, Z ACA0408AUZ01
	PA2450U E	UNIVERSAL AC ADAPTER			E, A, L, Q ACA0408BEZ01
24	P000182190	AC CORD SET	5		E, L WZ0040P01VDB
	P000182200	AC CORD SET	5		U, C, Z WZ0040P01ULB
	P000181660	AC CORD SET	5		A WZ0040P01ASB
	P000262690	AC CORD SET	5		Q WZ0123P01
25	P000264130	PS HARNESS	10		UL0282P04
26	P000264140	SW HARNESS	10		UL0282P05
27	P000264150	FDD HARNESS	10		WZ0105P26B97
28	P000272760	HD HARNESS	10		WZ0115P08
29	P000264170	CD HARNESS	10		WZ0115P06
30	P000264180	SD HARNESS	10		WZ0115P07
31	P000220300	MODULAR CABLE	5		WITH MODEM WZ0071P11
32	P000268860	MDLR J HARNESS	5		WITH MODEM UL2009P03
33-34	(reserve)				
35	P000270960	BASE ASSY	1		47T200377G11
35A	P000264200	BATT.CASE ASSY	5		47M201661G11
35B	P000264210	BATT.SPG.ASSY	10		47M161671G12
35C	P000264220	SW LOCK LEVER	10		47M201608P11
35D	P000264230	PCMCIA LOCK LEVE	10		47M201612P11
35E	P000264240	POWER SW ASSY	5		47M201662G11
35F	P000269480	MEMORY COVER	3		47M201693G11
35G	P000247320	FIR COVER	10		47M161545P11
35H	P000202280	EARTH SPRING	10		47M156431P1
35I	P000258980	BOTTOM CUSHION	10		47K169793P4
35J	P000264260	INS,SUB BATT.	10		47K201621P11
36-39	(reserve)				
40	P000270970	COVER ASSY	1		47T200325G14
40A	P000269650	COVER SUB ASSY	1		47P200491G11
40AA	P000264280	SPEAKER NET L	5		47M201455P11
40AB	P000264290	SPEAKER NET R	5		47M201456P11
40AC	P000269740	LOWER HINGE L	5		47M201833G11
40AD	P000269750	LOWER HINGE R	5		47M201833G12
40AE	P000270530	AL TAPE	10		47K200108P12
40AF	P000267120	HINGE BRACKET R	10		47M201454P11
40B	P000271130	LCD COV.SUB ASSY	3		47P200492G14
40BA	P000269670	LCD LATCH ASSY	5		47M201663G12
40BB	P000264320	TOSHIBA BADGE38	10		47K201068P12
40C	P000271140	LCD HARNESS	3		UL2023P02C
40D	P000271150	INVERTER HARNESS	5		UL2023P03
40E	P000269700	HINGE COVER L	10		47M201695P11
40F	P000269710	HINGE COVER R	10		47M201696P11
40G	P000269720	LCD SENSER SPG	5		47M201706P11
40H	P000247470	SPG,KB EARTH	10		47M161584P11
40I	P000264380	SCREW SEAL	10		47K200929P1
40J	P000271160	UPPER HINGE L	5		47M201734G11
40K	P000271170	UPPER HINGE R	5		47M201735G11
40L	P000276850	EMI GASKET	10		AK0011P31
41	P000270990	LCD MASK ASSY	5		47P200429G14
41A	P000266750	LCD CUSHION	10		47M201758P11
42	P000264400	SHUTTER ASSY	5		47M201664G11
43	P000264410	USB COVER	10		47M201660G11
44	P000264420	HDD COVER	5		47M201617P11
45	P000264430	KB HOLDER	10		47P200411P11
46	P000273160	IPS BUTTON	10		47P200412P12
47	P000271000	KB TOP COVER	10		47P200413P14

## SYSTEM UNIT (PAS409\*-D/E)

ITEM NO.	PART NO.	PART NAME	QTY /PAC	ANTI STATIC PACK	REMARKS
					PCN0357ECZ01
48	P000271010	RJ11 HOLDER	10		WITH MODEM 47M201700P11
	P000271190	RJ11 DUMMY	10		W/O MODEM 47M201701P11
49	P000270420	FDD BRACKET	10		47M201461G12
50	P000264480	HDD BRACKET	5		47M201656G11
51	P000264490	CD-ROM BRACKET	10		47M201458P11
52	P000264500	CD-ROM HOLD BRKT	5		47M201464P11
53	P000264510	IPS HOLD PLATE	10		47M201453P11
54	P000264520	KB HOLD BRACKET	10		47M201486P11
55	P000258050	LCD MASK SEAL	10		47K171512P22
56	P000271020	BASE U INSULATOR	10		47M201645P12
57	P000276900	PRODUCT SEAL	10	PAS409*-D	47K201921P49
	P000276910	PRODUCT SEAL	10	PAS409*-E	47K201921P50
58	P000267130	BATT.CONN.COVER	5		47P200416P11
59	P000278280	ID LABEL(BLANK)	5	PAS409A-D	47M201304P645H
	P000276920	ID LABEL(BLANK)	5	PAS409E-D	47M201304P646H
	P000276930	ID LABEL(BLANK)	5	PAS409C-D	47M201304P647H
	P000276940	ID LABEL(BLANK)	5	PAS409L-D	47M201304P648H
	P000276950	ID LABEL(BLANK)	5	PAS409Z-D	47M201304P649H
	P000276960	ID LABEL(BLANK)	5	PAS409Q-D	47M201304P650H
	P000276970	ID LABEL(BLANK)	5	PAS409C-E	47M201304P652H
	P000276980	ID LABEL(BLANK)	5	PAS409L-E	47M201304P653H
	P000276990	ID LABEL(BLANK)	5	PAS409Z-E	47M201304P638H
	P000277000	ID LABEL(BLANK)	5	PAS409Q-E	47M201304P654H
60	P000270430	MODEM STUD	10		47K201705P11
61	P000271040	HEAT SINK ASSY	5		47M201917G21
62	(reserve)				
63	P000271050	MMO STUD	10		47K201623P11
64	P000273710	LCD EARTH SPG	10		47M201843P11
65	P000273720	EXP.CONN.COVER	10		47M201699P11
66-99	(reserve)				
100	P000277100	PACKING BOX	5		51M202134G1
101	P000215140	SCREW M2X3C	10		G36640012097
102	P000261930	G SCRW M2X4BN	10		G36640101364
103	P000207940	SCREW M2X6Z	10		G36640012127
104	P000267140	G SCRW M2X16BN	10		G36640101463
105	P000227770	SCREW M2.5X2.6B	10		G36640101050
106	P000209920	SCREW M2.5X4Z	10		G36640012219
107	P000261210	G SCRW M2.5X4BN	10		G36640101326
108	P000233430	SCREW M2.5X6Z	10		G36640101081
109	P000261220	G SCRW M2.5X6BN	10		G36640101333
110	P000267150	G SCRW M2.5X20BN	10		G36640101470
111	P000254870	G SCRW M3X4Z	10		G36640130043
112	P000273730	TGSCRW M2X4Z	10		G36640135048
113	P000267160	TGSCRW M2.5X3C	10		G36640132269
114	P000261900	TGSCRW M2.5X4Z	10		G36640132306
115	P000256890	TYSCRW M2.5X6BZ	10		G36640021013
116	P000207950	G SCRW M2X4Z	10		G36640012110
117	P000259980	G SCRW M2X5Z	10		G36640101302
118	P000211090	G SCRW M2X14Z	10		G36640012080
119	(reserve)				
120	P000278250	G SCRW M2X5.5Z	10		G36640138018
	(OPTION)				
OP1	PA2060U	32MB MEMORY KIT		+	MMF0004AZZ01
	PA2061U	64MB MEMORY KIT		+	MMF0006AZZ01
	PA2062U	128MB MEMORY KIT		+	MMF0008AZZ01
OP2	PA2450U	UNIVERSAL AC ADAPTER			U,C,Z ACA0408AUZ01

SYSTEM UNIT (PAS409\*-D/E)

ITEM NO.	PART NO.	PART NAME	QTY /PAC	ANTI STATIC PACK	REMARKS
					PCN0357ECZ01
	PA2450U E	UNIVERSAL AC ADAPTER			E, A, L, Q ACA0408BEZ01
OP3	PA2487U G	BATTERY PACK			LI-ION (4000mAh) ACA0454AYZ01
	PA2487U RG	BATTERY PACK			WITH RECYCLE LABEL ACA0454BYZ01
OP4	PA2488U	BATTERY CHARGER			U, C, Z ACA0391AUZ01
	PA2488U E	BATTERY CHARGER			E, A, L, Q ACA0391CEZ01
OP5	PA2717U	ENHANCED PORT REPLICATOR III			U, C, Z CAB0341AZZ03
	PA2717U Y	ENHANCED PORT REPLICATOR III			E, A, L, Q CAB0341BZZ03
OP6	PA2730U	ENHANCED PORT REPLICATOR III SPACER			CAB0374AZZ01
OP7	PA2731U	PORT REPLICATOR			U, C, Z CAB0376AZZ01
	PA2731U E	PORT REPLICATOR			E, A, L, Q CAB0376BZZ01