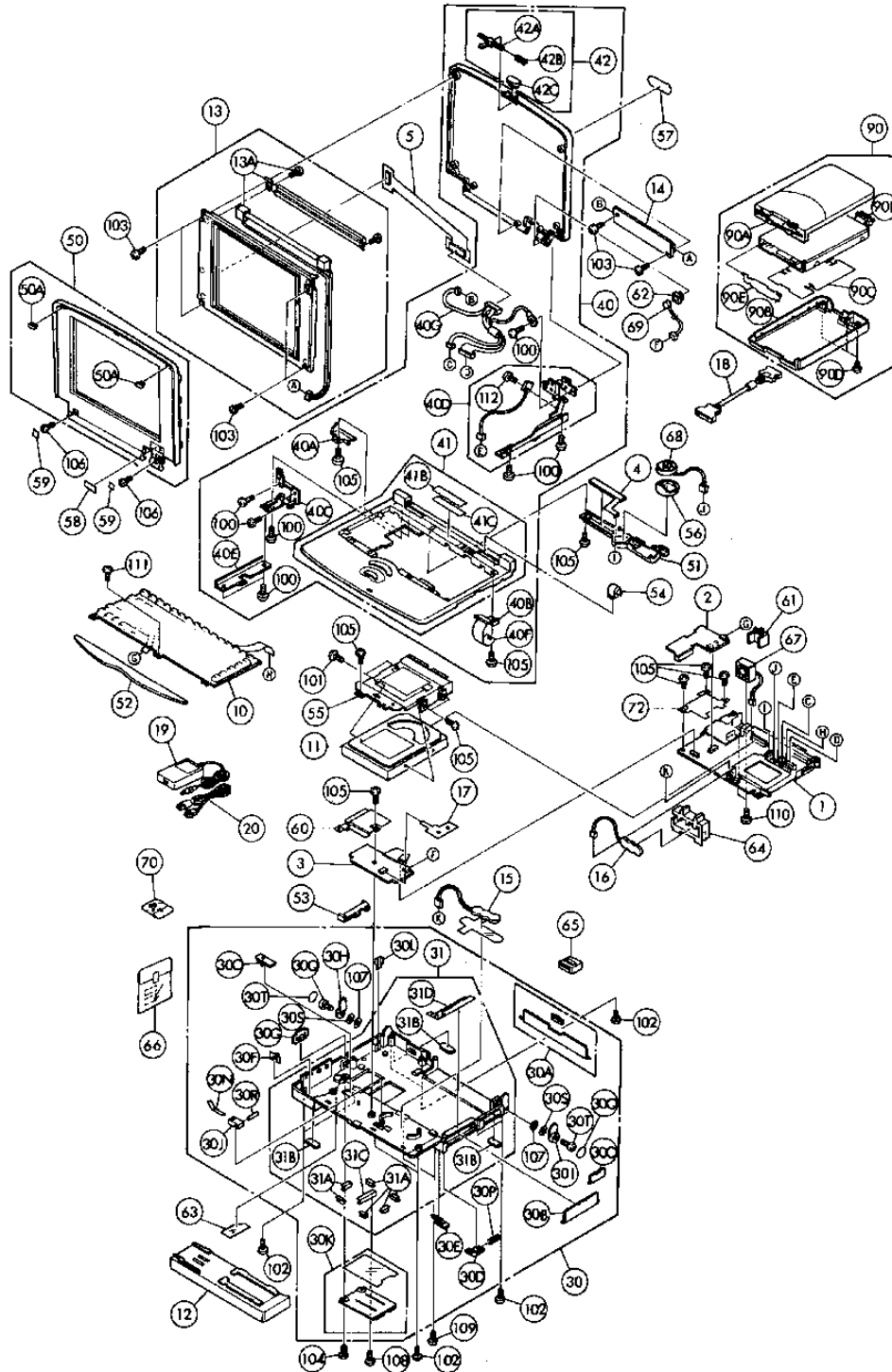


Portégé 610CT COMPUTER



NOTE: Letters represent cable connections and are not listed in the following table.

N°	Toshiba PN	Description
----	------------	-------------

1	P000205080	PCB FM3SY2
1-1	P000207970	PCB FM3SY3
2	P000204550	PCB FM3PS2
1-2	P000210080	PCB FM3PS3
3	P000204560	PCB FM3SD2
1-3	P000210090	PCB FM3SD3
4	P000204570	PCB FM3LE1
5	P000204580	PCB FM3LC2
10	P000197540	KEYBOARD UNIT
11	P000204590	HDD UNIT(720)
12	PA2489UR	MAIN BATTERY 4000mAh
13	P000204600	COLOR LCD MODULE
13A	P000205700	FL TUBE SET
14	P000197580	FL INVERTER
15	P000204630	NI-MH BATTERY
16	P000204640	NI-MH BATTERY
17	P000204650	MEMBRANE SWITCH
18	P000203500	FDD CABLE
19	PA2438U	AC ADAPTER
20	P000182200	AC CORD SET
21	P000204610	BASE ASSEMBLY
N/S	P000251740	INSULATOR
30A	P000204870	CONNECTOR COVER ASSEMBLY
30B	P000204880	PC CARD COVER
30C	P000204890	FDD CONNECTOR COVER
30D	P000204900	BATTERY LEVER
30E	P000204910	BATTERY KNOB
30F	P000204920	LED LENS
30G	P000196900	SWITCH BUTTON
30H	P000193180	TILT ANGLE, LEFT
30I	P000193190	TILT ANGLE, RIGHT
30J	P000193300	BATTERY STOPPER
30K	P000204930	MEMORY CARD COVER ASSY
30L	P000193340	KEY PLATE
30N	P000193310	STOPPER SPRING
30O	P000193320	SAFETY CONT, SPRING
30P	P000204950	SPRING BATTERY LOCK
30Q	P000193240	BLIND SEAL
30R	P000193350	SPRING PIN
30S	P000193260	WAVE WASHER
30T	P000193230	TILT SCREW
31	P000204860	BASE SUB ASSEMBLY
31A	P000202280	EARTH SPRING
31B	P000198350	BOTTOM CUSHION
31C	P000205680	BRG EARTH SPRING
31D	P000204940	EJECTOR EARTH SPRING
32	P000204620	COVER ASSEMBLY
33	P000204960	COVER SUB ASSEMBLY
41B	P000193380	LED LABEL
41C	P000194670	DISPERSIVE FILM
42	P000204980	LCD COVER ASSEMBLY
42A	P000204990	LATCH HOOK
42B	P000205000	LATCH KNOB
42C	P000180400	SPRING B
40A	P000205010	HINGE COVER-LEFT
40B	P000205020	HINGE COVER-RIGHT
40C	P000205030	BRAKE HINGE, LEFT
40D	P000205040	SENSOR HARNESS
40E	P000205050	HINGE BRACKET
40F	P000205060	INSULATOR, CORE HOLDER
40G	P000205070	LCD HARNESS
41	P000204660	LCD MASK ASSEMBLY
50A	P000204670	LCD CUSHION
51	P000204680	SPEAKER HOLDER ASSEMBLY
52	P000204690	KB MASK
53	P000204700	BATTERY CONNECTOR COVER
54	P000204710	CABLE GUIDE
55	P000204720	HDD BRACKET ASSEMBLY
56	P000204730	SPEAKER CUSHION
57	P000204740	P. NAME SEAL (C)
57-1	NP610T2	P. NAME SEAL (C)
58	P000204750	P. NAME SEAL (M)
58-1	NP610T	P. NAME SEAL (M)
59	P000193590	LCD MASK SEAL
60	P000204760	SOUND SHIELD ASSEMBLY
61	P000204770	FAN CUSHION
62	P000204780	MIC HOLDER
63	P000204790	CARE LABEL
64	P000204800	RTC BATTERY HOLDER
65	P000193040	TRANSFER CONNECTOR
66	P000204810	PC SLOT COVER

67	P000205930	FAN
68	P000204830	SPEAKER
69	P000204840	MICROPHONE
70	P000193060	STICK CAP SET
71	P000204850	PRETTY BOX
72	P000205690	SYSTEM SHIELD ASSEMBLY
73	P000203980	FDD 3.5 INCH
90A	P000203990	FDD COVER, UPPER
90B	P000204000	FDD COVER, LOWER
90C	P000204010	FDD INSULATOR
90D	P000204020	SCREW
90E	P000203370	DOOR COVER
90F	P000204030	FDD CONNECTOR
91	P000172160	SCREW M2.5X6Z
92	P000163450	SCREW M3X4
93	P000094030	SCREW M2X8
94	P000171690	SCREW M2X6
103-1	P000207940	SCREW M2X6
104	P000171940	SCREW M2X4
104-1	P000207950	SCREW M2X4
105	P000161040	SCREW M2X4
105-1	P000207950	SCREW M2X4
106	P000172160	SCREW M2.5X6Z
107	P000193250	WASHER
108	P000188300	SCREW
109	P000169570	SCREW M2X6
110	P000160830	SCREW M2.5X4
111	P000206850	SCREW
112	P000101750	SCREW M2X5
112-1	P000207960	SCREW M2X5
OPTIONS		
OP	NW2031U	NW, 8MB MEMORY MODULE
OP	NW2031UK	NW, 8MB MEMORY MODULE
OP	NW2031UX	NW, 8MB MEMORY MODULE
OP	KTT610/8	KINGSTON, 8MB MEMORY
OP	NW2032U	NW, 16MB MEMORY MODULE
OP	NW2032UK	NW, 16MB MEMORY MODULE
OP	NW2032UX	NW, 16MB MEMORY MODULE
OP	KTT610/16	KINGSTON, 16MB MEMORY
OP	NW2034U	NW, 32MB MEMORY MODULE
OP	NW2034UK	NW, 32MB MEMORY MODULE
OP	NW2034UX	NW, 32MB MEMORY MODULE
OP	KTT610/32	KINGSTON, 32MB MEMORY