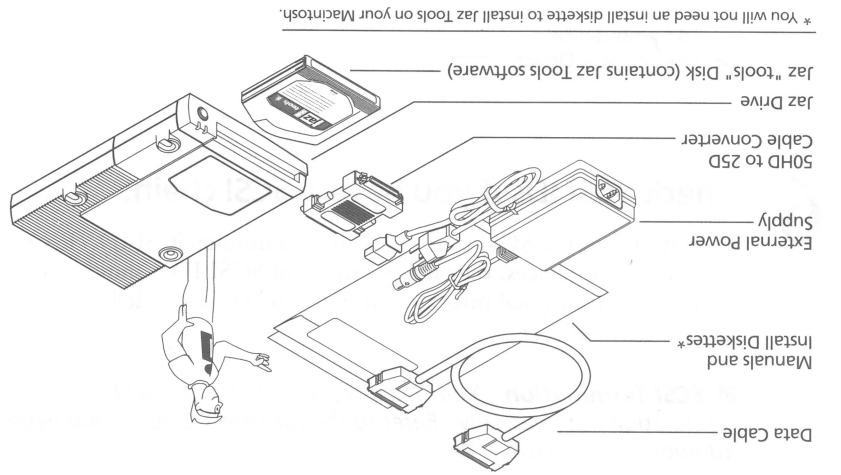


# Installation Guide

This guide shows how to install the portable SCSI Jaz drive on a Macintosh. If you encounter any problems while installing your Jaz drive, refer to the "Troubleshooting" section in the Jaz User's Guide.

## 1 Unpack the Jaz drive and accessories.



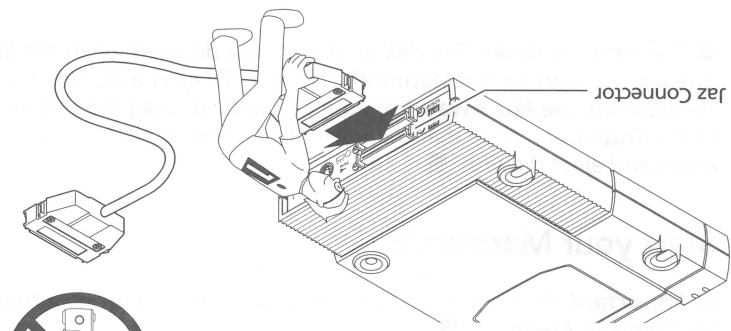
\* You will not need an install diskette to install Jaz Tools on your Macintosh.

## 2 Shut down your Mac, turn off all connected devices, and pick up the Jaz data cable.



**WARNING** Always turn off power to the computer and all devices connected to it (such as printers or drives) before beginning any computer hardware change.

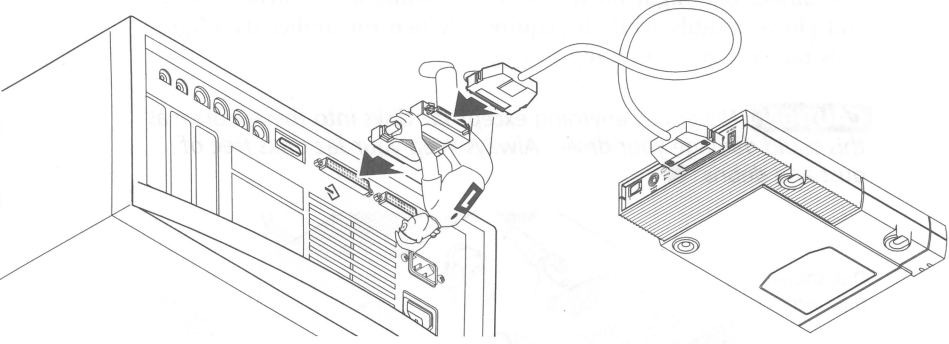
## 3 Connect one end of the data cable to either SCSI port on the back of your drive, and PUSH until connector locks into place. (If the connector does not go on easily, try turning it over.)



**CAUTION** DO NOT attempt to stand the Jaz drive on its side! NEVER move the drive when in use!

■ **To Remove the Jaz Data Cable:** Squeeze the spring locks on both sides of the data cable connector while pulling on the connector.

## 4 Use the 50HD to 25D cable converter to connect the other end of the data cable to the built-in SCSI connection on your Macintosh.



Ⓢ **PowerBook Users** You need a special PowerBook cable to connect the Jaz drive. Check with your Iomega dealer to order a Jaz PowerBook cable.

(Open up for Step 5)



# Installation Guide for Macintosh

### United States FCC Information

The computer equipment described in this installation guide generates and uses radio frequency (RF) energy. If the equipment is not installed and operated in strict accordance with the manufacturer's instructions, interference to radio and television reception may result.

■ **Interference** This equipment complies with Part 15 of the FCC Rules and its operation is subject to the following conditions: (1) the equipment may not cause harmful interference, and (2) the equipment must accept any interference received, including interference that may cause undesired operation.

Part 15, Class B, of the FCC Rules, is designed to provide reasonable protection against radio and television interference in a residential installation. Although the equipment has been tested and found to comply with allowed RF emission limits, as specified in the above cited Rules, there is no guarantee that interference will not occur in a particular situation. Interference can be determined by turning the equipment off and on while monitoring radio or television reception. The user may be able to eliminate any interference by implementing one or more of the following measures:

- Reorient the affected device and/or its receiving antenna.
- Increase the distance between the affected device and the computer equipment.
- Plug the computer and its peripherals into a different branch circuit from that used by the affected device.

**WARNING** Only the manufacturer's cable or an equivalent double shielded, host interface cable should be used with external subsystems. Other types of cables may violate FCC rules and regulations. Also, changes or modifications to the electronics or enclosure of this product must be expressly approved by Iomega; otherwise, the user's authority to operate the equipment may be voided by the FCC.

### Canadian DOC Information

This digital apparatus does not exceed the Class B limits for radio noise emissions from digital devices as set out in the Radio Interference Regulations of the Canadian Department of Communications.

### Iomega's Automated Help Systems

Internet Home Page: ..... <http://www.iomega.com>  
 America Online™ ..... Keyword: Iomega  
 Microsoft Network ..... GoWord: Iomega  
 Interactive Voice Response Unit ..... 1-801-629-7629  
 Technical Support E-Mail ..... [support@iomega.com](mailto:support@iomega.com)  
 (Please type "Jaz" in the subject header when sending your E-Mail)  
 Iomega Bulletin Board ..... 1-801-778-5888  
 8,N,1; 9600 baud and above; ANSI (24 hrs - Download only)

### Iomega Pacific Pte Ltd

111-B Telok Ayer St.  
 Singapore 068580  
 Tel : 65-2227 225  
 Fax : 65-2227 119

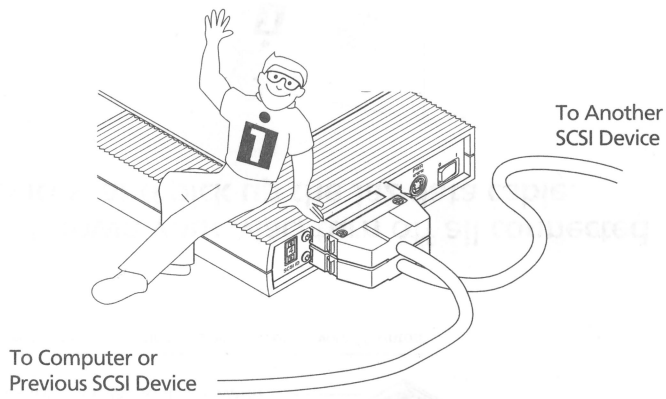


© 1995-1996 Iomega Corporation. Iomega is a registered trademark of, and the Iomega logo and Jaz are trademarks of, Iomega Corporation. All other product and brand names are the property of their respective companies.

EN197700

**5** **OPTIONAL:** You can connect other SCSI drives to the Jaz drive using another SCSI cable (usually a high density 50 pin to 50 pin cable).

⌚ **If you are connecting the Jaz drive to an existing SCSI chain,** you may need a different cable or converter. Call your Iomega dealer.



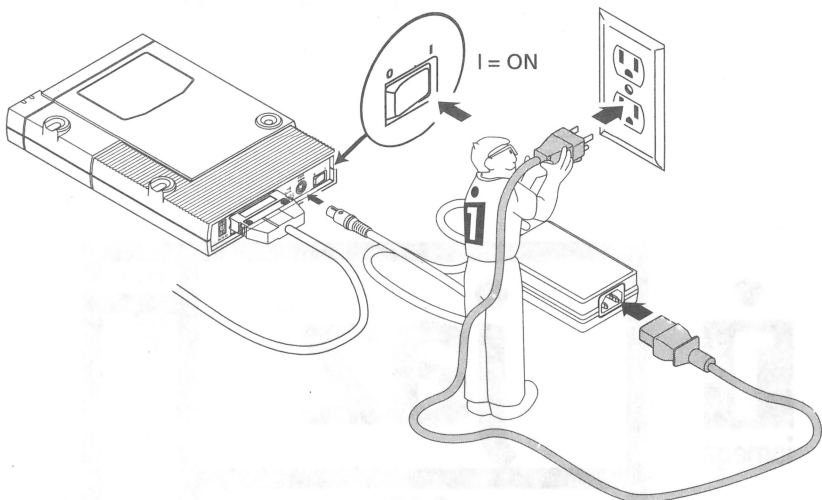
**6** **Check SCSI IDs if you have a SCSI chain.**

Each device in the SCSI chain must have a unique SCSI ID. If you have no other devices, the factory setting of SCSI ID 4 should work. If you need additional information, refer to "SCSI Guidelines" in the *Jaz User's Guide*.

■ **SCSI Termination** Your Jaz drive is set to handle SCSI termination automatically. Refer to the *Jaz User's Guide* if you need additional information. ■

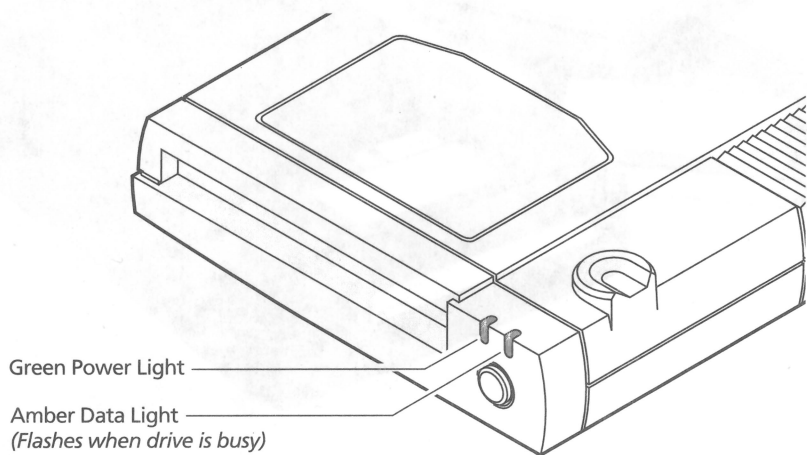
**7** **Connect the external power supply and turn on the power switch.**

⚠ **CAUTION** Use only an approved Iomega Jaz power supply. Other power supplies may damage your Jaz drive. ■



⌚ **Tip:** To make it easier to move your Jaz drive between home and work, you may want to purchase an extra power supply and cable.

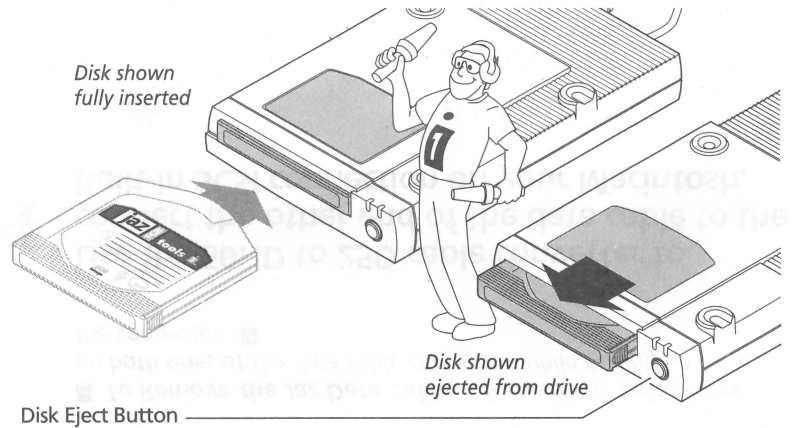
**8** **Check that the green power light is ON. (Indicates that the power supply is connected properly.)**



**9** **Gently insert the 1GB "tools" disk into the Jaz drive.**

The amber data light on the Jaz drive flashes as the disk spins up and glows steadily while it acquires. When the amber data light goes out, the drive is ready to use.

⚠ **CAUTION** Never put anything except Jaz disks into the Jaz drive as this could damage your drive. Always keep your Jaz disks free of dust and debris. ■



■ **Ejecting Jaz Disks** The disk eject button is disabled when the Jaz disk icon appears on the Macintosh Desktop. To eject a Jaz disk from the Desktop, use **Put Away** from the File menu or drag the disk icon to the Trash icon. Note that the drive takes a few seconds to spin down and eject the disk. ■

**10** **Start your Macintosh.**

■ **Important** Make sure the 1GB Jaz "tools" disk is inserted before starting your Macintosh. ■

**11** **Double-click on the Jaz Tools disk icon located on your Mac Desktop.**



If you do not see the Jaz Tools disk icon on your Mac Desktop, refer to "Troubleshooting" below.

**12** **Double-click the Jaz Install icon.**



Follow the onscreen instructions to install Tools software for Jaz.

■ **NOTE:** If any installation files for the Macintosh Jaz Tools package are deleted from the Tools disk, you will see error messages from Jaz Install when reinstalling. **DO NOT** change the name of the Jaz Tools disk or Jaz Install will not run correctly. ■



**Congratulations! When the software installation is complete, your Jaz drive will be ready to use.**

Use your Jaz drive just like any other drive on your system. Your Jaz disk will appear as an icon on your Mac Desktop. You can store and copy files to and from the Jaz disk using the same methods you use for your Mac hard disk or floppy disks. For more information on using your Jaz drive and Jaz Tools software, refer to the *Jaz User's Guide* or to the electronic manuals and help files installed on your Mac hard disk in the Iomega Jaz Tools folder.

⌚ **If you want to use your Jaz drive on a PC as well as your Macintosh:** The Guest program on the Install floppy for Windows/DOS will provide temporary access for your Jaz drive on a PC with a SCSI connection. (Use GUEST.EXE on a PC running Windows/DOS; use GUEST95.EXE on a PC running Windows 95.)

**Troubleshooting**

If the Jaz Tools disk icon does not appear on the Mac Desktop, try the following suggestions:

- Make sure the Tools disk is fully inserted in the Jaz drive, then hold down the Shift key and restart your Mac. Make sure you hold down the Shift key until you see the message indicating that extensions are off or disabled.
- If the Jaz Tools disk icon still does not appear, recheck the instructions in this Installation Guide. Make sure the Jaz drive is correctly and securely connected to the Mac.
- If the Jaz drive is part of a SCSI chain, make sure that each device has a unique SCSI ID number (no duplicates) and that the SCSI chain is properly terminated. Refer to the *Jaz User's Guide* for detailed information on SCSI ID and termination.