



HP Pavilion zt1100/xz200
Omnibook xt1500

Service Manual

Notice

In a continuing effort to improve the quality of our products, technical and environmental information in this document is subject to change without notice.

This manual and any examples contained herein are provided “as is” and are subject to change without notice. Hewlett-Packard Company makes no warranty of any kind with regard to this manual, including, but not limited to, the implied warranties of merchantability and fitness for a particular purpose. Hewlett-Packard Co. shall not be liable for any errors or for incidental or consequential damages in connection with the furnishing, performance, or use of this manual or the examples herein.

Consumer transactions in Australia and the United Kingdom: The above disclaimers and limitations shall not apply to Consumer transactions in Australia and the United Kingdom and shall not affect the statutory rights of Consumers.

© Copyright Hewlett-Packard Company 2000–2001. All rights reserved. Reproduction, adaptation, or translation of this manual is prohibited without prior written permission of Hewlett-Packard Company, except as allowed under the copyright laws.

The programs that control this product are copyrighted and all rights are reserved. Reproduction, adaptation, or translation of those programs without prior written permission of Hewlett-Packard Co. is also prohibited.

Portions of the programs that control this product may also be copyrighted by Microsoft Corporation, SystemSoft Corp., Insyde Software Corporation, S3 Graphics Incorporated, and Adobe Systems Incorporated. See the individual programs for additional copyright notices.

This product incorporates copyright protection technology that is protected by method claims of certain U.S. patents and other intellectual property rights owned by Macrovision Corporation and other rights owners. Use of this copyright protection technology must be authorized by Macrovision Corporation and is intended for home and other limited viewing uses only unless otherwise authorized by Macrovision Corporation. Reverse engineering or disassembly is prohibited.

Microsoft®, MS-DOS®, and Windows® are U.S. registered trademarks of Microsoft Corporation. Pentium® and the Intel Inside logo are U.S. registered trademarks and Celeron™ and SpeedStep™ are U.S. trademarks of Intel Corporation. Adobe® and Acrobat® are trademarks of Adobe Systems Incorporated.

All certifications may not be completed at product introduction. Check with your HP reseller for certification status.

This equipment is subject to FCC rules. It will comply with the appropriate FCC rules before final delivery to the buyer.

Hewlett-Packard Company
Mobile Computing Division
19310 Pruneridge Ave.
Cupertino, CA 95014, U.S.A.

Edition History

Edition 1January 2002

Edition 2.....April 2002

Contents

Product Information.....	1-1
Technology Codes.....	1-2
Features	1-3
Operation.....	1-6
Turning the Notebook On and Off	1-6
Checking the Notebook's Status	1-7
Using Fn Hot Keys	1-8
Resetting the Notebook	1-9
Using the CD or DVD Player (selected models).....	1-10
Specifications.....	1-11
Hardware Specifications	1-11
Internal Design	1-14
Removal and Replacement.....	2-1
Disassembly Flowchart.....	2-3
Removing the Battery (User-Replaceable)	2-5
Removing a Plug-In Module (User-Replaceable)	2-6
Removing the Hard Disk Drive (User-Replaceable).....	2-7
Recovering and Reinstalling Software	2-9
Removing the Keyboard Cover (User-Replaceable).....	2-10
Removing the Keyboard (User-Replaceable).....	2-12
Removing an SDRAM Module (User-Replaceable).....	2-14
Removing an Expansion SDRAM Module	2-14
Removing the System SDRAM Module.....	2-15
Replacing Small Parts (User-Replaceable).....	2-17
Removing the Mini-PCI Card (HP Authorized Service Providers Only)	2-18
Removing the Display Assembly (HP Authorized Service Providers Only)	2-20
Removing Display Assembly Components (HP Authorized Service Providers Only)	2-22
Removing the Fan and Heatsink (HP Authorized Service Providers Only)	2-24
Removing the CPU Module (HP Authorized Service Providers Only)	2-27
Removing the Top Case (HP Authorized Service Providers Only)	2-29
Removing the Hinge Saddles (HP Authorized Service Providers Only)	2-32
Removing the Motherboard or Bottom Case (HP Authorized Service Providers Only).....	2-34
Reinstalling the Motherboard.....	2-37
Replacing the Bottom Case	2-38
Removing Notebook Components (HP Authorized Service Providers Only).....	2-40
Troubleshooting and Diagnostics.....	3-1
Troubleshooting	3-2
Checking for Customer Abuse	3-3
Troubleshooting the Problem	3-4
Verifying the Repair	3-4
Suggestions for Troubleshooting.....	3-5
Diagnostic Tools.....	3-22
e-Diagtools Diagnostic Program	3-22
Power-On Self-Test	3-25
Sycard PCCtest 450/460 CardBus Card (Optional).....	3-26
BIOS Configuration Utility.....	3-28

Replaceable Parts	4-1
Reference Information	5-1
Password Removal Policy	5-1
Hewlett-Packard Display Quality Statement	5-2

Figures

Figure 1-1. Front View	1-3
Figure 1-2. Back View	1-4
Figure 1-3. Bottom View	1-5
Figure 1-4. Main Status Lights	1-7
Figure 1-5. Keyboard Status Lights	1-8
Figure 1-6. Resetting the Notebook	1-9
Figure 1-7. Multimedia Buttons and Status Panel	1-10
Figure 1-8. Replaceable Module Diagram	1-14
Figure 2-1. Disassembly Flow	2-3
Figure 2-2. Removing the Battery	2-5
Figure 2-3. Releasing the Plug-in Module	2-6
Figure 2-4. Removing the Hard Disk Drive	2-7
Figure 2-5. Removing the Hard Disk Tray	2-8
Figure 2-6. Removing the Keyboard Cover Retaining Screws	2-10
Figure 2-7. Removing the Keyboard Cover	2-11
Figure 2-8. Loosening the Keyboard Retaining Screws	2-12
Figure 2-9. Disconnecting the Keyboard	2-13
Figure 2-10. Removing an Expansion SDRAM Module	2-14
Figure 2-11. Installing an Expansion SDRAM Module	2-15
Figure 2-12. Removing the System SDRAM Module	2-15
Figure 2-13. Removing the Mini-PCI Card	2-19
Figure 2-14. Removing the Display (1)	2-20
Figure 2-15. Removing the Display (2)	2-21
Figure 2-16. Removing Display Assembly Components	2-23
Figure 2-17. Removing the Fan and Heatsink	2-25
Figure 2-18. Installing a New Thermal Pad	2-26
Figure 2-19. Removing the CPU Module	2-28
Figure 2-20. Removing the Top Case Retaining Screws	2-30
Figure 2-21. Removing the Top Case	2-31
Figure 2-22. Removing the Hinge Saddles	2-33
Figure 2-23. Removing the Motherboard	2-35
Figure 2-24. Installing the Docking Doors	2-38
Figure 2-25. Installing the PCMCIA Doors	2-38
Figure 2-26. Example of Serial Number Label	2-39
Figure 3-1. Basic Troubleshooting Steps	3-2
Figure 3-2. e-Diagtools Screens — Basic and Advanced	3-22
Figure 3-3. Parallel Loopback Connector	3-24
Figure 4-1. Exploded View	4-2

Tables

Table 1-1. Pavilion zt1100/xz100 and Omnibook xt1000 Series Models.....	1-1
Table 1-2. Activating Power Modes.....	1-6
Table 1-3. Fn Hot Keys.....	1-8
Table 1-4. Pavilion zt1100/xz100 and Omnibook xt1000 Series Hardware Specifications.....	1-11
Table 1-5. Pavilion zt1100/xz100 and Omnibook xt1000 Series Accessories.....	1-13
Table 1-6. Functional Structure.....	1-15
Table 2-1. Removal Cross-Reference.....	2-1
Table 2-2. Required Equipment.....	2-4
Table 2-3. Recommended Screw Torques.....	2-4
Table 2-4. Replacing Small Parts (User-Replaceable).....	2-17
Table 2-5. Removing Notebook Components.....	2-40
Table 3-1. Scope of Diagnostic Tools.....	3-5
Table 3-2. Troubleshooting Suggestions.....	3-5
Table 3-3. Insyde MobilePRO BIOS POST Beep Codes and Messages.....	3-25
Table 3-4. Sycard PCCTest Commands.....	3-26
Table 3-5. BIOS Configuration Menus and Parameters.....	3-28
Table 4-1. Replaceable Parts for the Pavilion zt1100/xz100 Series.....	4-3
Table 4-2. Replaceable Parts for the Omnibook xt1000 Series.....	4-5
Table 5-1. TFT LCD Guidelines (14.1/15.0-in XGA).....	5-3

Introduction

This manual provides reference information for servicing HP Pavilion zt1100/xz200 and Omnibook xt1500 notebook PCs. It is for use by HP-authorized service personnel while installing, servicing, and repairing these products.

The manual is designed as a self-paced guide that will train you to install, configure, and repair these notebooks. The manual is self-contained, so you can follow it without having equipment available.

The following table lists other sources of information about the notebook and related products.

Source	Address or Number	Comments
HP Notebook web site	http://www.hp.com/notebooks (European mirror: http://www.europe.hp.com/notebooks)	
HP Business Support web Site	www.hp.com/go/bizsupport	
HP Partnership web site	http://partner.americas.hp.com	Restricted to Authorized Resellers only.
HP Asia Pacific Channel Support Centre for DPSP Partners	http://www.hp.com.au	Restricted to DPSP Partners only.
HP/MCD web site	http://www.mcd.hp.com	HP's internal web site for division information.
America Online	Keyword: HP	Call (800) 827-6364 for membership within the US.
CompuServe	GO HP	Call (800) 524-3388 for membership within the US.
HP Support Assist CD	(800) 457-1762	US and Canada.
	(801) 431-1587	Outside US and Canada.
Microsoft Windows manual		Information about Windows operating system.
Microsoft web site	http://www.microsoft.com	Information and updates for Windows operating systems.

Product Information

The HP Pavilion zt1100/xz200 and Omnibook xt1500 series are reliable notebook computers for the budget-minded user—whether at school, at home, or as part of a growing business—who wants a thin, light notebook that will meet basic mobile computing needs.

Table 1-1. Pavilion zt1100/xz200 and Omnibook xt1500 Series Models

Product	CPU ¹	Display	Hard Drive	Standard SDRAM	CD/DVD drive ²	Full-featured ³	Modem/LAN	Wireless
Pavilion zt1100/xz200								
F3377H / zt1120	Cel 1.06 GHz	14.1-in TFT XGA	20 GB	256 MB	DVD	No	56K/LAN	
F3378H / zt1130	Cel 1.13 GHz	14.1-in TFT XGA	20 GB	256 MB	Combo	No	56K/LAN	
F3379H / zt1150	Cel 1.2 GHz	15.0-in TFT XGA	20 GB	256 MB	Combo	Yes	56K/LAN	
F3380H / zt1170	PIII 1.13 GHz	15.0-in TFT XGA	30 GB	512 MB	Combo	Yes	56K/LAN	
F3387H / zt1180	PIII 1.2 GHz	15.0-in TFT SXGA+	40 GB	512 MB	Combo	Yes	56K/LAN	
F3381H / zt1190	PIII 1.2 GHz	15.0-in TFT SXGA+	40 GB	512 MB	Combo	Yes	56K/LAN	802.11b
F3386H / xz185	PIII 1.13 GHz	15.0-in TFT XGA	40 GB	512 MB	Combo	Yes	56K/LAN	
F3382H / zt1121s	Cel 1.06 GHz	14.1-in TFT XGA	20 GB	128 MB	DVD	No	56K/LAN	
F3388H / zt1131s	Cel 1.06 GHz	14.1-in TFT XGA	20 GB	256 MB	DVD	No	56K/LAN	
F3390H / zt1141s	Cel 1.2 GHz	14.1-in TFT XGA	20 GB	256 MB	Combo	No	56K/LAN	
F3383H / zt1141	Cel 1.06 GHz	14.1-in TFT XGA	20 GB	256 MB	Combo	Yes	56K/LAN	
F3389H / zt1151	Cel 1.06 GHz	15.0-in TFT XGA	20 GB	256 MB	Combo	Yes	56K/LAN	
F3391H / zt1161	Cel 1.2 GHz	15.0-in TFT XGA	20 GB	512 MB	Combo	Yes	56K/LAN	
F3384H / zt1171	PIII 1.06 GHz	15.0-in TFT XGA	20 GB	256 MB	Combo	Yes	56K/LAN	
Omnibook xt1500								
F3428H / xt1000s	Cel 1.13 GHz	14.1-in TFT XGA	20 GB	256 MB	DVD	No	56K/LAN	
F3429H / xt1000	PIII 1.13 GHz	14.1-in TFT XGA	20 GB	256 MB	DVD	Yes	56K/LAN	
F3430H / xt1000	PIII 1.13 GHz	14.1-in TFT XGA	20 GB	256 MB	Combo	Yes	56K/LAN	
F3431H / xt1000	PIII 1.13 GHz	15.0-in TFT XGA	30 GB	256 MB	Combo	Yes	56K/LAN	
F3432H / xt1000	PIII 1.20 GHz	15.0-in TFT XGA	30 GB	256 MB	Combo	Yes	56K/LAN	
F3433H / xt1000	PIII 1.20 GHz	15.0-in TFT SXGA+	30 GB	512 MB	Combo	Yes	56K/LAN	
<p>This table lists only base product configurations—custom configurations are not included.</p> <p>The exact configuration of a unit is captured in a Traceability database. Support agents can access this database to verify a product's configuration at this URL: http://www.pc-tracking.hp.com/</p> <p>¹ Intel Mobile Pentium III (PIII-M) or Celeron-T (Cel) processor.</p> <p>² Combo optical drive = DVD + CD-RW.</p> <p>³ Full-featured SKUs include multimedia buttons, LCD status display, and IEEE1394.</p>								

Technology Codes

HP does not change the name of a product every time the product's technology changes. While this helps ensure continuing market momentum for HP products, it complicates technology deployment and support processes.

To help solve this problem, HP has added a technology code to the serial number of each of its products. Since the BIOS must be matched to the notebook's hardware, the same code is used for the BIOS and the hardware. This manual refers to technology code differences where applicable.

The table below shows the technology codes and the changes they signify for the products. Before downloading software or drivers or performing repairs, note the technology code for the HP notebook model.

Note that the first two characters of the BIOS ID (for example, **IC.M1.02**) indicate the hardware technology. You can also determine the BIOS ID using the BIOS configuration utility, or by pressing Esc during the boot process when the HP logo appears.

This manual contains service information for products with the following technology code.

Technology code	Product name	Details
IC	Pavilion zt1100/xz200 series Omnibook xt1500 series	Intel P4-M based platform supported with Via chipset and S3 integrated graphics.

Features

The following illustrations show the notebook's main external features. For an exploded view of the notebook, see page 4-2.

<Z_Rfront>

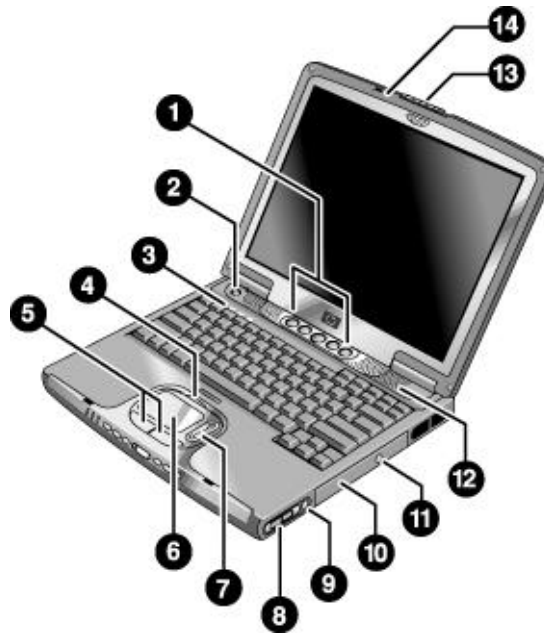


Figure 1-1. Front View

- | | |
|--|---|
| 1. One-Touch buttons (programmable). | 8. Volume controls (selected models). |
| 2. Power button. | 9. Mute button and indicator light (selected models). |
| 3. Keyboard status lights: Caps Lock, Num Lock, CD or DVD drive activity. | 10. Removable DVD or DVD/CD-RW drive. |
| 4. Touch pad/scroll pad on-off button (with on-off indicators on either side). | 11. CD/DVD eject button. |
| 5. Left and right click buttons. | 12. Speaker (one on each side). |
| 6. Touch pad. | 13. Latch. |
| 7. Scroll pad | 14. Built-in microphone. |

<Z_backleft>

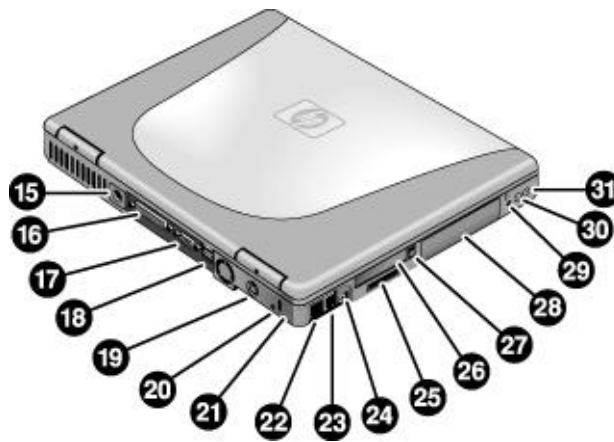


Figure 1-2. Back View

- | | |
|---|---|
| 15. AC adapter jack. | 24. IEEE 1394 connector. |
| 16. Parallel port (LPT1) (colored burgundy). | 25. SD-MMC Card slot. |
| 17. External monitor (VGA) port (colored blue). | 26. PC Card slot (Type II). |
| 18. Universal serial bus (USB) ports (2). | 27. PC Card eject button. |
| 19. S-video (TV out) port (colored yellow). | 28. Hard disk drive. |
| 20. Reset switch. | 29. Wireless on-off button and indicator light (selected models). |
| 21. Kensington lock slot (security connector). | 30. External microphone jack (colored pink). |
| 22. LAN port and indicators. | 31. Headphones jack (colored green). |
| 23. Modem. | |

<Z_bottom>

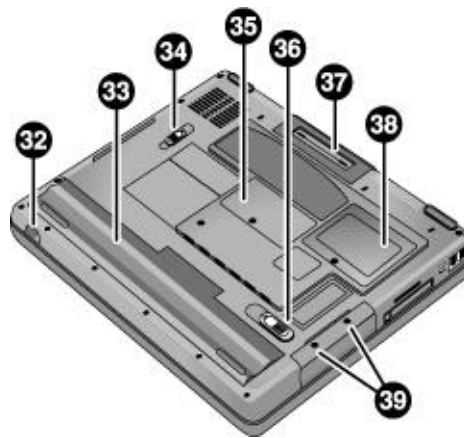


Figure 1-3. Bottom View

32. Infrared port (selected models).
33. Battery.
34. CD/DVD drive latch.
35. RAM cover.

36. Battery latch.
37. Docking port.
38. Mini-PCI cover.
39. Hard disk drive retaining screws.

Operation

This section gives an overview of the notebook's operation.

Turning the Notebook On and Off

You can start and stop the notebook using its power button. However, at times you may want to use other methods to start or stop the notebook—depending on power considerations, types of active connections, and start-up time.

Note

This manual describes the notebook in its original factory configuration, with all settings at their default values.

Table 1-2. Activating Power Modes

Power mode	To enter this mode	To turn on again
On Power mode status light is green.	Press the power button.	
Standby Maintains current session in RAM. Turns off the display and other components. Saves significant power. Restarts quickly. Restores network connections. Power mode status light is amber.	Click Start, Turn Off Computer, Stand By –or– press the power button –or– allow timeout.	Press the power button to quickly resume your session.
Hibernation Saves current session to disk, then turns off. Saves maximum power. Restores network connections. Power mode status light is off.	Click Start, Turn Off Computer, then press and hold Shift and click Hibernate –or– allow timeout.	Press the power button to resume your session.
Turn off Turns off without saving current session. Saves maximum power. At startup, resets everything, and starts a new session. Power mode status light is off.	Click Start, Turn Off Computer, Turn Off –or– press and hold the power button for four seconds (only if the Start menu procedure doesn't work).	Press the power button to start with a new session.

Checking the Notebook's Status

The notebook's status lights report power and battery status, keyboard status, and drive activity.

<Z_statlites2>

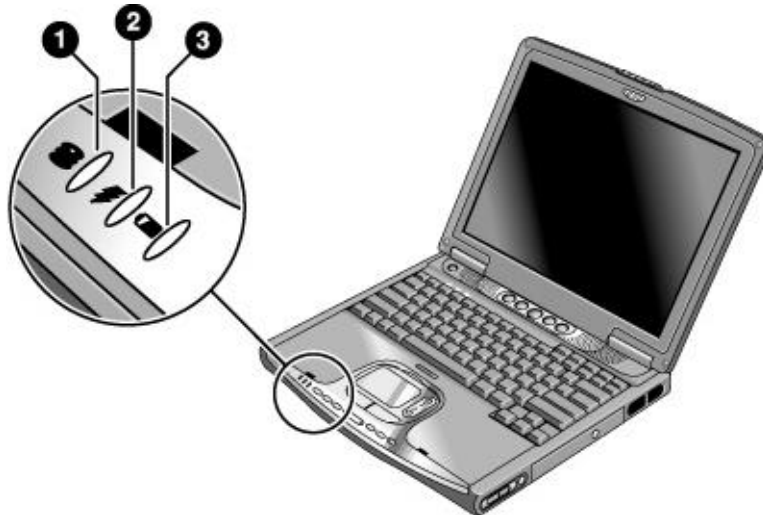


Figure 1-4. Main Status Lights

1. **Hard disk drive activity.**
 - On: the notebook is accessing the hard disk drive.
2. **Power mode.**
 - Green: the notebook is on (even if the display is off).
 - Amber: the notebook is on standby.
 - Off: the notebook is off or in hibernation.
3. **Battery charge status.**
 - Green: the AC adapter is connected and the battery is fully charged.
 - Amber: the AC adapter is connected and the battery is charging.
 - Red: the AC adapter is connected and the battery has a fault.
 - Off: the AC adapter is not connected or the battery is missing.

<Z_statlites1>

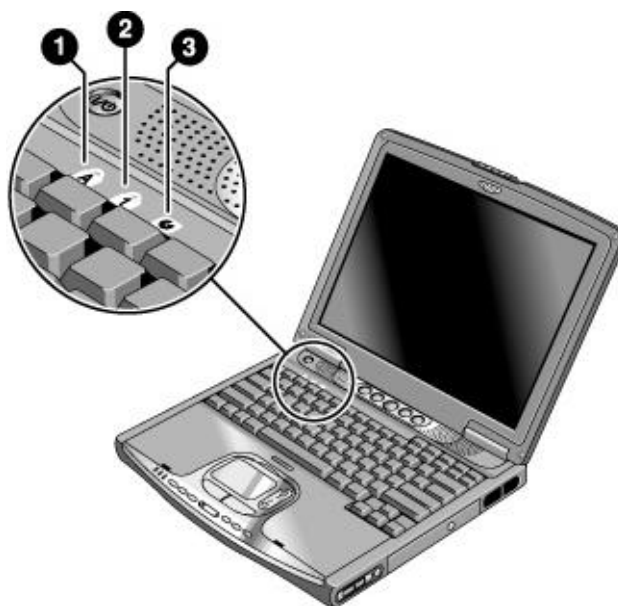


Figure 1-5. Keyboard Status Lights

1. **Caps Lock.** Caps Lock is active.
2. **Num Lock.** Num Lock is active. (The Keypad Lock must also be on to use the embedded keypad.)
3. **CD drive activity.** The CD drive is active.

Using Fn Hot Keys

The combination of the Fn key plus another key creates a *hot key*—a shortcut key sequence—for various system controls. To use a hot key, press *and hold* Fn, press the appropriate second key, then release both keys.

Table 1-3. Fn Hot Keys

Hot Key	Effect
Fn+F1	Decreases the display brightness.
Fn+F2	Increases the display brightness.
Fn+F5	Toggles among the built-in display, an external display, and simultaneous display on both.
Fn+F8	Toggles the built-in numeric keypad on and off. Does not affect an external keyboard. If Num Lock is on, the numeric functions are active; otherwise, cursor control is active.
Fn+Num Lock	Toggles Scroll Lock on and off.
Fn+Page Up	Increases the volume (and turns audio on if muted).
Fn+Page Down	Decreases the volume.
Fn+Backspace	Toggles the mute function on and off.
Fn+any One-Touch button	Toggles the One-Touch button LEDs on and off (selected models).

Resetting the Notebook

Occasionally, Windows or the notebook may stop responding, so that you cannot turn the notebook off. If this happens, try the following in the order listed:

- If possible, shut down Windows: click Start, Turn Off Computer, Turn Off.
- Press Ctrl+Alt+Del, then click Shut Down.
- Press and hold the power button for about four seconds, until the display turns off.
- Use a pen or straightened paper clip to press the reset switch on the back of the notebook.

<Z_systemoff>

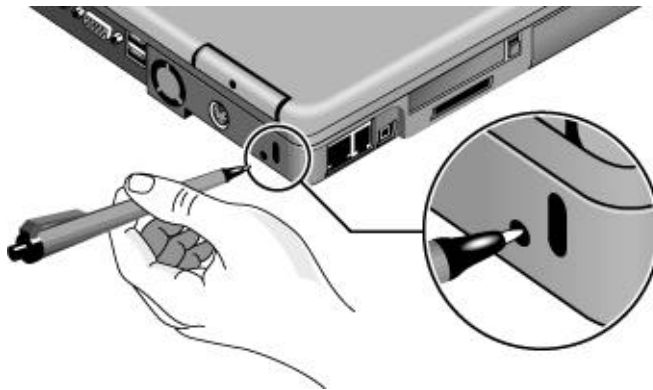


Figure 1-6. Resetting the Notebook

Press the power button to turn the notebook on again.

Note

To boot from a CD or DVD, insert a bootable CD (such as the *Recovery CDs*) into the drive, then restart. Press Esc when the HP logo appears, then select the CD-ROM/DVD drive as the temporary boot device.

Using the CD or DVD Player (selected models)

The multimedia buttons on the front of the notebook control the CD/DVD player, and work in much the same way as do the controls of a standalone CD or DVD player. The player operates whether the notebook is on, off, on standby, or in hibernation. (When the notebook is on, the volume control buttons also govern the volume for most audio applications.)

If the notebook is off, on standby, or in hibernation, slide the multimedia power switch to the left to activate the player. For details about using the CD/DVD player, see the notebook's *Reference Guide*.

<Z_cdbuttons>

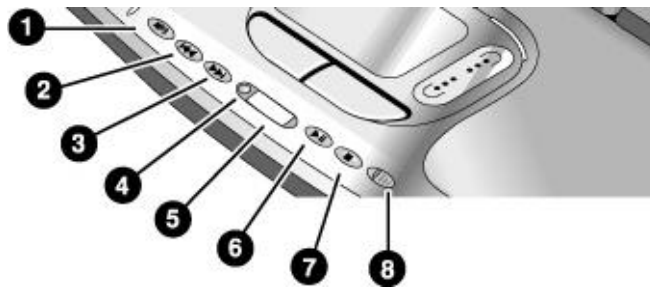


Figure 1-7. Multimedia Buttons and Status Panel

- | | |
|------------------------------|---|
| 1. MP3 player launch button. | 5. Status panel. |
| 2. Previous track button. | 6. Play/Pause button. |
| 3. Next track button. | 7. Stop button. |
| 4. Status panel button. | 8. Multimedia power switch and indicator light. |

Specifications

The following tables list the specifications for the notebook and its accessories. These are subject to change: for the latest versions, see the HP Notebook web site, www.hp.com/notebooks (in Europe: www.europe.hp.com/notebooks).

Hardware Specifications

Table 1-4. Pavilion zt1100/xz200 and Omnibook xt1500 Series Hardware Specifications

Physical Attributes	Dimensions: 14.1-in models: 318 x 273 mm (12.5 x 10.75 in). 15-in models: 330 x 278.3 mm (12.99 x 10.94 in). Thickness varies across unit. Weight varies with configuration, vendor components, and manufacturing options and processes. Minimum weight (14.1-in model): 2.7 kg (5.9 lb).
Processor and Bus Architecture	Intel Mobile Pentium 4 processor (starting at 1.5, 1.6, 1.7, 1.8 MHz and higher) with SpeedStep technology. 1.6-V core, 1.3-V external, low-power processor. 32-bit PCI bus.
Graphics	14.1/15-in XGA (1024x768) or 15-in SXGA+ (1400x1050) TFT LCD display. S3 Savage4 AGP4X 3D graphics. Supports 16 million colors and OpenGL graphics. Supports hardware acceleration for MPEG. Display driver supports MPEG2 overlay. Supports simultaneous LCD+CRT operation (same image on both displays). Integrated VGA. Up to 32-MB video memory (shared with system memory). Supports NTSC and PAL TV. Dual display for LCD and external monitor or TV. External color support: starting at 640 x 480, up to 1600 x 1200 display resolution.
Power	Rechargeable 8-cell Lilon battery: 14.8 V, 3900 mAh. Battery life: up to 2.5 hours (varies with model and usage). Battery recharge (100%): up to approx. 3 hours with system off (varies with model). Low-battery warning. Standby/hibernate and resume capability. Universal AC adapter: 100–240 Vac (50/60 Hz) input, 19 Vdc output, 75 W, 3.95-amp, 387.5g, 127.3 mm x 51.5 mm x 29.3 mm.
Mass Storage	20- to 40-GB removable IDE hard disk drive.
CD/DVD drive	8X DVD or 8X8X24X8 DVD/CD-RW (or higher) removable drive.
RAM	Two slots for DDR SDRAM expansion (PC-2100) up to 1024 MB (2x512MB). 266-MHz RAM bus.
Audio System	DirectSound. MIDI (playback) support. 16-bit, full duplex stereo sound through two built-in speakers with integrated acoustic chambers. 1.5 W per channel, 64 voices. Built-in microphone. Polk Audio certified on 15-in models (pavilion). Dedicated mute and volume controls (selected models). DVD/CD player (can play while notebook is on standby, in hibernation, or off). 3D-enhanced audio.

Communications	56 Kpbs Ambit modem. 10/100 LAN integrated.
Keyboard and Pointing Devices	87/88/91-key touch-type QWERTY keyboard with 101/102 key emulation. Embedded numeric keypad. 12 function (Fn) keys. 5 user-programmable One-Touch buttons. Touch pad with lock button and on-off indicator. Left and right click buttons, vertical scroll pad.
Input/Output	2 universal serial bus (USB) ports. 15-pin VGA video-out (blue) with DDC support. (Resolution up to 1600 x 1200 x 64K or 16M colors. Refresh rate of 60 to 85 Hz, depending on resolution and color depth.) RJ-45 LAN jack. 25-pin bi-directional high-speed ECP/EPP parallel (burgundy). S-video TV out (yellow). IEEE 1394 port. Docking port: supports optional simple port replicator. One DC-in jack. One microphone-in jack One headphone-out jack.
Expandability	One Type II 16-/32-bit PC Card slot (3.3- and 5-V support). CardBus enabled. One integrated Secure Digital Multi-Media Card slot. Optional simple port replicator (selected models).
Security Features	User and administrator passwords. DMI-accessible electronic serial number. Kensington MicroSaver lock slot.
Environmental Limits	Operating temperature: 0 to 40 °C (32 to 104 °F). Operating humidity: 10 to 90 percent RH (0 to 40 °C). Operating altitude: up to 10,000 ft (3000 m) at 25 °C (77 °F). Storage (non-operating) temperature: -20 to 65 °C (-4 to 149 °F).
Major ICs	CPU: Intel Mobile Pentium 4 processor. North Bridge: VIA Pro Savage P4N266 South Bridge: VIA VT8233CE Display controller: S3 Savage 4 in North Bridge. Audio controller: VIA/Realtek ALC201 AC97 Codec. CD player controller: O2 OZ-163. LAN: Realtek RTL8100L. CardBus controller: ENE 1410 Keyboard/embedded controller: National NS87591. Super I/O: in South Bridge + VT1211. SD/MMC controller: W83L518D IEEE 1394 controller: VIA VT6306

Table 1-5. Pavilion zt1100/xz200 and Omnibook xt1500 Series Accessories

Accessory	Description
New Accessories	
F3172A	Standard Lilon Battery
F3491A	CD-RW Upgrade Module
F3492A	DVD Upgrade Module
F3493A	CD-RW/DVD Combo Drive
F3494A	Simple Port Replicator
Tested Cross-Platform Accessories	
D9510B	USB Floppy Disk Drive Module
F1455A	Auto Air Adapter (75 W)
F1606A	Omnibook Ballistic Nylon Case
F1607A	Omnibook Leather Case
F1608A	Omnibook Executive Case
F1626B	3COM 10/100 Enet PC Card
F1645A	Kensington Lock
F1747A	Defcon Alarm
F1771A	Universal Carrying Case
F1778A	Promotional Carrying Case (NAM & AP)
F1778B	Standard Carrying Case (Europe Only)
F1781A	Ultra Slim Line Adapter (60 W)
F1782A	3COM Type II Combo Card
F2020A	Executive Leather Case (Europe only)
F2135B	Wireless Comm Access Point
F2135C	Wireless Comm Access Point
F2136B	Wireless PC Card (128 bits)
F2196A	3Com Bluetooth PC Card
F2297A	Car Adapter, 24 V (EU only)
F2298A	512 MB PC133 SDRAM
F3495A	128 MB PC133 SDRAM
F3496A	256 MB PC133 SDRAM
P1980A	USB Wireless LAN 802.11b
P1981A	USB Wireless LAN Access Point

Internal Design

The motherboard PCA is the central component of the notebook's design, and plays a role in virtually all system functions. The CPU module and most other subsystems connect to the motherboard.

The following figure shows the electrical connections among the notebook's replaceable electronic modules. In addition, the table on page 1-15 lists the roles that the replaceable modules play in each of the notebook's functional subsystems.

<repl_mods_zin.ai>

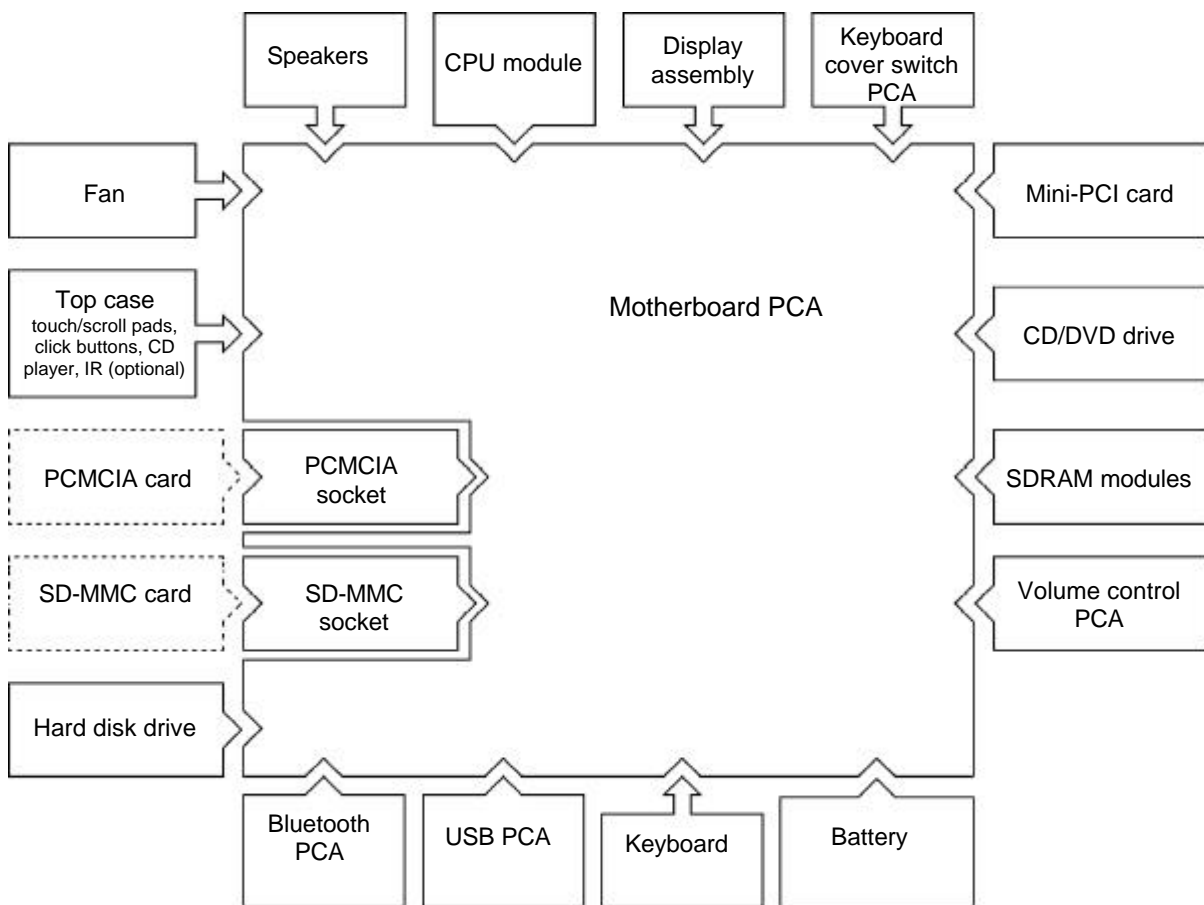


Figure 1-8. Replaceable Module Diagram

Table 1-6. Functional Structure

Function	Components Used	Component Roles
Bootup	CPU module Motherboard Hard disk drive CD/DVD drive module	Main processor. Primary system circuitry. First source of disk-based startup code. Second source of disk-based startup code.
Processor	CPU module Motherboard	Main processor, numeric data processor, L1 and L2 cache. Primary system circuitry.
Memory	SDRAM module	Video RAM (shared). Changeable RAM (2 slots).
Power	Battery Motherboard Keyboard cover switch PCA AC adapter	Power storage. Power control circuitry, AC adapter socket, lid switch, reset switch, power supply. Power button. AC-to-DC converter.
Display	Motherboard Display assembly	Video controller, display drivers, LVDS processing, display/graphics controller. Display output, backlight, power converter for backlight.
Hard disk	Motherboard Hard disk drive	Hard disk controller. Hard disk mechanism.
Keyboard	Motherboard Keyboard Keyboard cover CD player PCA	Keyboard controller, keyboard BIOS. Key switches. One-Touch buttons. CD player buttons.
Touch pad	Motherboard Top case	Keyboard BIOS. Touch/scroll pad sensors, click buttons.
Audio	Motherboard Display assembly USB PCA Volume control PCA Speakers	Audio controller, audio decoder, speaker amplifier, external microphone jack. Microphone. Headphone jack. Volume control. Sound output.
Status	Motherboard Top case Keyboard cover switch PCA CD player PCA	LED circuitry, keyboard controller. Status LEDs. Status LEDs. CD/DVD status display.
Parallel	Motherboard	I/O controller, parallel connector.
USB	Motherboard USB PCA	Bus controller, USB connectors. USB connectors.
PCMCIA	Motherboard PCMCIA sockets	PCMCIA controller. PCMCIA connectors.
SD-MMC	Motherboard	SD/MMC controller SD/MMC connector
Infrared	Motherboard CD player PCA	I/O controller. Infrared transmitter/receiver.
Wireless	Display assembly Motherboard Mini-PCI PCA Bluetooth PCA USB PCA	Antennas, on-off button, indicator light. I/O controller. Radio PCA circuitry. Radio PCA circuitry. On-off button, indicator light.
Docking	Motherboard	Docking logic, docking connector.
PC card	Motherboard	PC card controller, PC card connector.

Removal and Replacement

This chapter shows how to remove and replace the notebook's components, listed in the following table. The items marked by • are user-replaceable.

Table 2-1. Removal Cross-Reference

<ul style="list-style-type: none"> Antenna, Bluetooth (page 2-22). Antenna, wireless (page 2-22). • Battery (page 2-5). Bezel, display (page 2-22). Card, mini-PCI (page 2-18). Case, bottom (page 2-34). Case, top (page 2-29). • Cover, expansion SDRAM (page 2-17). • Cover, keyboard (page 2-10). • Cover, mini-PCI (page 2-17). • Covers, screw (page 2-17). Display assembly (page 2-20). Doors, docking (page 2-38). Doors, PCMCIA (page 2-38). • Drive, hard disk (page 2-7). Fan (page 2-24). • Feet, rubber (page 2-17). 	<ul style="list-style-type: none"> Guide, hard disk drive (page 2-41). Heatsink (page 2-24). • Keyboard (page 2-12). Module, CPU (page 2-27). • Module, plug-in (page 2-6). • Module, expansion SDRAM (page 2-14). • Module, system SDRAM (page 2-15). PCA, CD player (page 2-41). PCA, inverter (page 2-22) PCA, motherboard (page 2-34). PCA, USB (page Erreur! Source du renvoi introuvable.Erreur! Signet non défini.). PCA, volume control (page 2-42). Saddles, hinge (page 2-32). Socket, PCMCIA (page 2-42). Speaker, left (page 2-42). Speaker, right (page 2-42). • Tray, hard disk drive (page 2-8).
---	---


Caution

Always provide proper grounding when performing repairs. Without proper grounding, an electrostatic discharge can damage the notebook and its components.



Notes

To reassemble a component, perform the removal procedure in reverse order. Any special notes required for reassembly are included at the end of each section.

 Symbols like this are used throughout this chapter to show approximate full-size screw outlines. Use these to verify the sizes of screws before you install them. Installing a wrong-size screw can damage the notebook. (The symbol shown represents an M2.5×5mm T-head screw.)

Disassembly Flowchart

The following diagram shows the general “paths” you will use in disassembling the notebook to access any particular component.

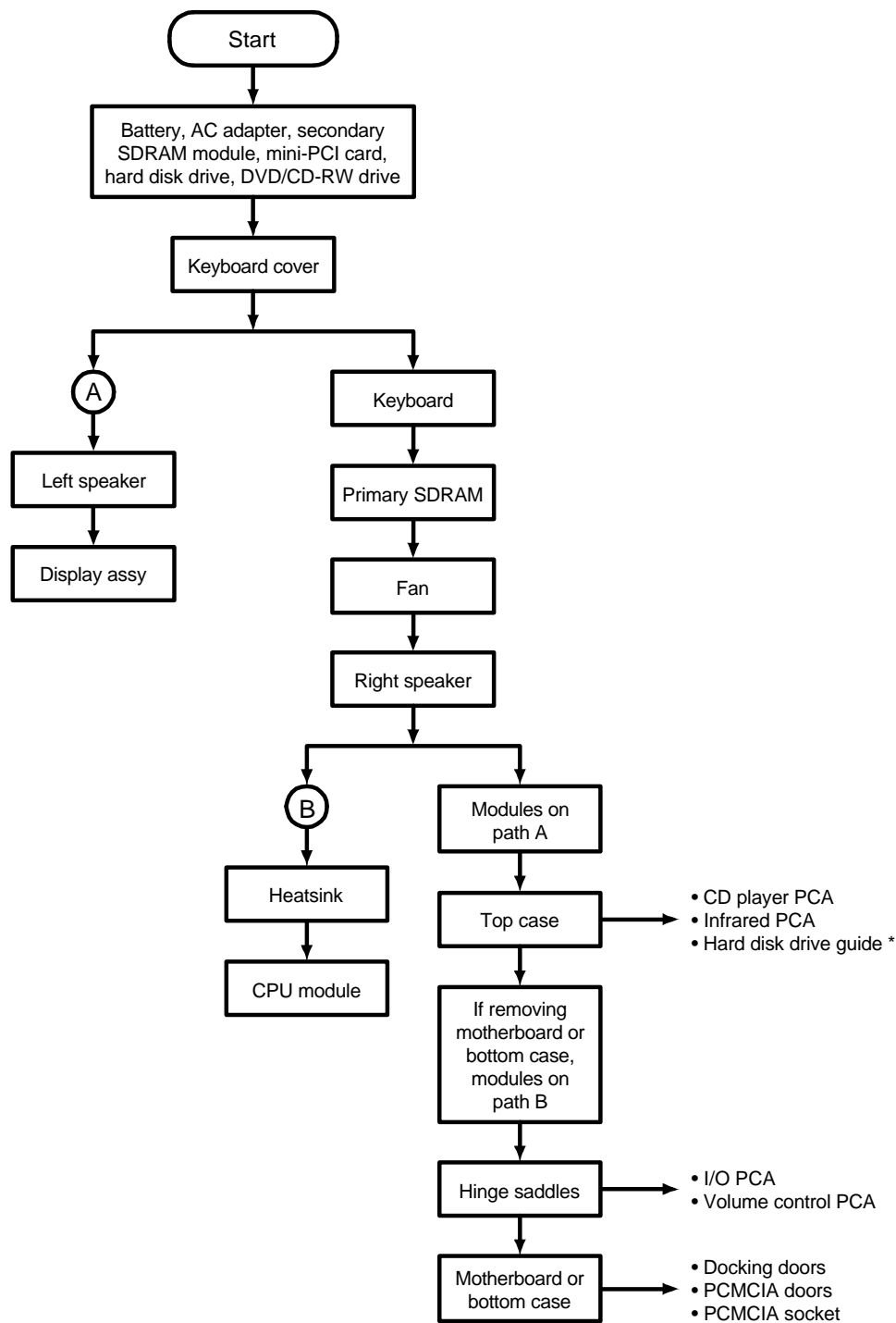


Figure 2-1. Disassembly Flow

Table 2-2. Required Equipment

- #0 Phillips screwdriver, preferably magnetized.
- Small flat-blade screwdriver.
- .5 mm hex driver.

Table 2-3. Recommended Screw Torques

Screw Thread Size	Torque (cm-kgf)	Torque (in-lbf)
M2.5 (2–11 mm long)	3.0 – 3.5	2.6 – 3.0
M3	3.0 – 3.5	2.6 – 3.0

NOTES

Removing the Battery (User-Replaceable)

Required Equipment

- None.

Removal Procedure

- Slide the battery's release latch in the direction of the arrow on the latch, then lift the battery out of its compartment.

<Z_batout>

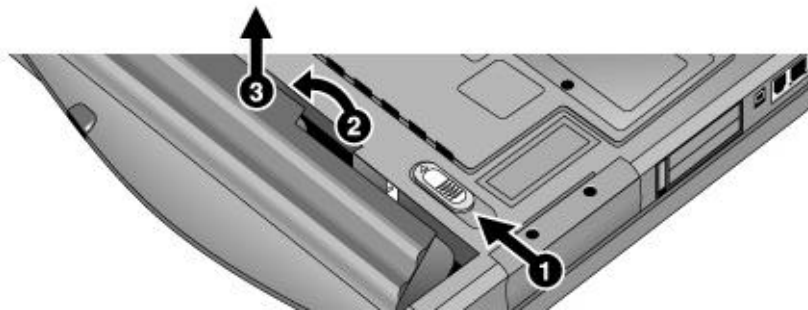


Figure 2-2. Removing the Battery

Reassembly Notes

- Insert the front end of the battery into the battery compartment, then press the back end in until the battery clicks into place.

Removing a Plug-In Module (User-Replaceable)

Required Equipment

- None.

Removal Procedure

- Slide the module release latch in the direction shown by the arrow on the latch, and remove the module.

<Z_modout1>

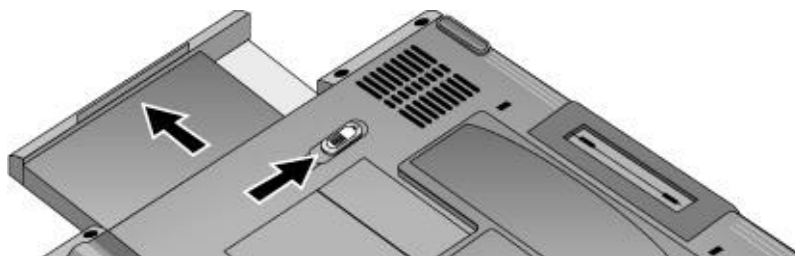


Figure 2-3. Releasing the Plug-in Module

Removing the Hard Disk Drive (User-Replaceable)

Required Equipment

- #0 Phillips screwdriver.

Removal Procedure

1. Unplug the AC adapter, if present, and remove the battery.
2. On the bottom of the unit, remove both hard drive retaining screws.

<Z_hdout>

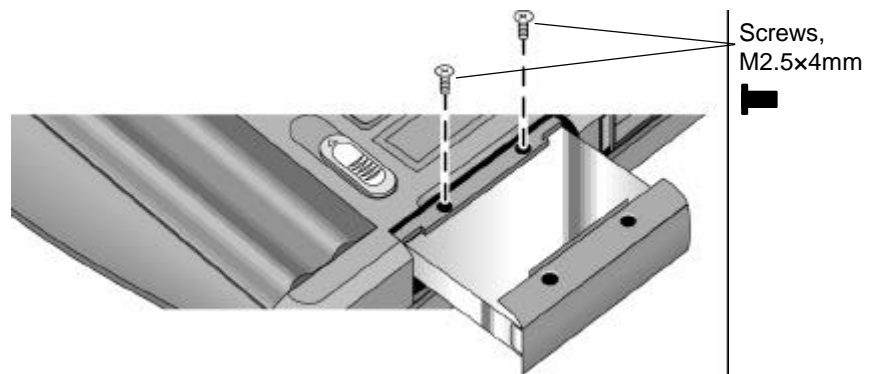


Figure 2-4. Removing the Hard Disk Drive

3. Carefully pull the hard drive out of the notebook.
4. Remove all four screws from the hard drive tray and drive case, then lift the drive out of the tray.

<Z_hdxpld>

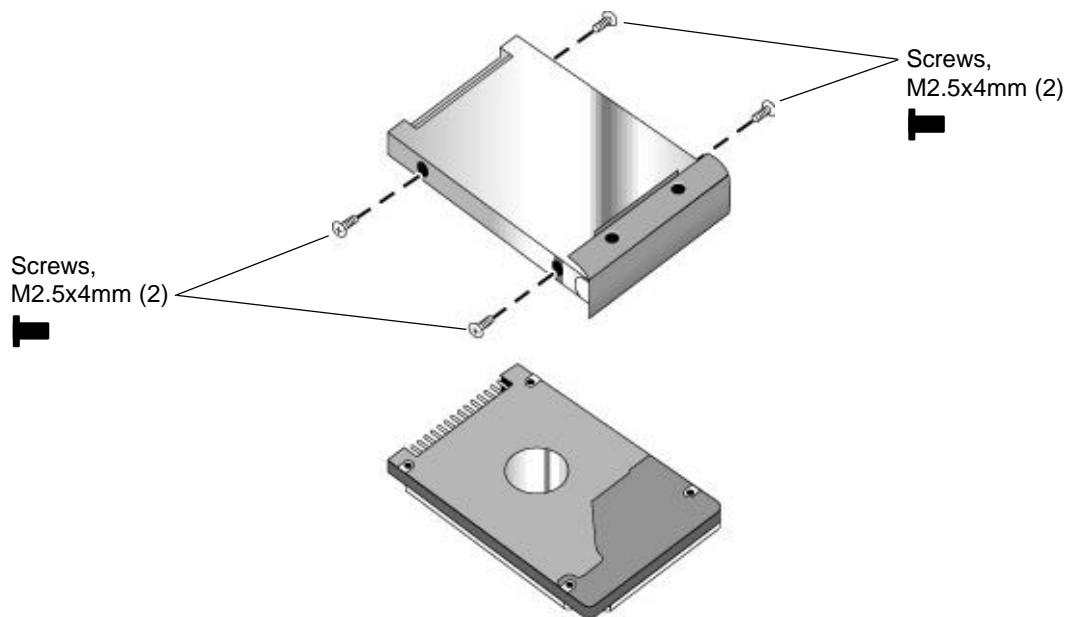


Figure 2-5. Removing the Hard Disk Tray

Reassembly Notes

- Insert the connector end of the drive through the opening in the tray, then lower the drive into place.
- Carefully slide the hard drive assembly into its compartment. Press firmly to make sure the connector seats properly.

Important

If you are installing a new hard disk drive, install the factory software and operating system on the drive before loading any additional software—see “Recovering and Reinstalling Software,” below.

Recovering and Reinstalling Software

Use the *Recovery CDs* to reinstall the original factory software and operating system. The *Recovery CDs* also provide all HP notebook-specific Windows drivers, which are available in the following locations:

- On the hard drive, under c:\hp\drivers.
- On the *Recovery CDs*, under \hp\drivers.
- On the HP Business Support web site (www.hp.com/go/bizsupport). This web site contains the latest updates of software drivers for various operating systems.

To recover the factory software installation

The following procedure describes how to recover the notebook's original software and operating system. This process can take up to 15 minutes to complete. (For more information about recovering the factory software installation, see the file readme.txt in the root directory of the *Recovery CDs*.)

Caution

Be sure to back up the hard disk before proceeding. This procedure formats the hard disk, which erases all data on the disk. After formatting, you must reinstall any applications.

Do not interrupt the following process or unplug the AC adapter until the process is complete.

1. Back up all data from the hard disk.
2. Connect the AC adapter to the notebook. **This is necessary to provide an uninterrupted power source: the notebook's battery alone is not adequate.**
3. Insert *Recovery CD* disk 1 into the notebook's CD/DVD drive. If the notebook is turned off, use a pin or straightened paper clip to press the release switch on the drive door to open it.
4. Turn on or restart the notebook.
5. When the HP logo appears, press Esc to display the Boot menu.
6. Use the arrow keys to select the CD/DVD drive as the first boot device, then press Enter.
7. When the *Recovery CD* dialog box appears, follow the displayed instructions. If prompted, accept the recommended partition size.

To create the Utility partition without installing the factory software, click Advanced and select not to install the operating system.

If the hard disk is partitioned into several drives, you can install the factory software on drive C without affecting other drives. Click Advanced and select to restore only the C partition.

8. When prompted to reboot the notebook, press Ctrl+Alt+Del and follow any instructions that appear.

Note

Windows XP supports the NTFS file system.

Removing the Keyboard Cover

(User-Replaceable)

Required Equipment

- #0 Phillips screwdriver.
- Small flat-blade screwdriver.

Removal Procedure

1. Unplug the AC adapter, if present, and remove the battery.
2. Close the notebook's display, and remove both screws from the backs of the hinge covers.

<Z_display1>

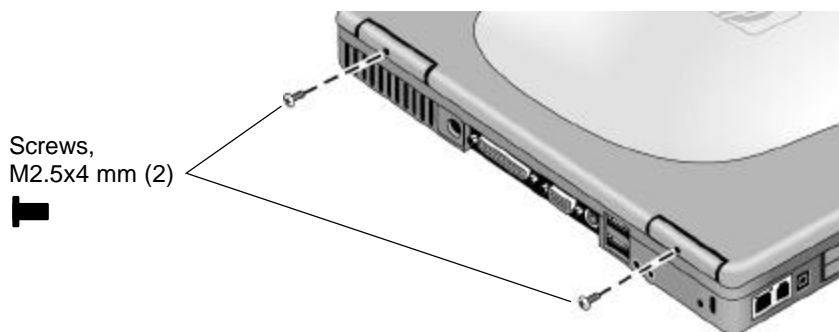


Figure 2-6. Removing the Keyboard Cover Retaining Screws

3. Open the display so that it lays flat.
4. Use the flat-blade screwdriver to carefully pry up the right end of the keyboard cover just above the Page Up key, then lift the end until the cover unsnaps.

Caution

When removing the keyboard cover, be careful not to pull on the cable that connects the keyboard cover to the notebook.

5. Carefully lift the cover to unsnap the latches above the center One-Touch button and the F1 key, then lift the cover about an inch off of the notebook.

6. Disconnect the keyboard cover switch cable from the motherboard, and remove the cover from the notebook.

<Z_Keyboard_cover>



Figure 2-7. Removing the Keyboard Cover

Reassembly Notes

- Make sure the keyboard cover switch cable is securely connected to the motherboard.
- Bend the center of the keyboard cover upward slightly, and insert the tabs on the ends of the cover into the slots in the notebook's case. Fit the hinge covers over the hinges, and gently press the cover into place.

Removing the Keyboard

(User-Replaceable)

Required Equipment

- #0 Phillips screwdriver.
- Small flat-head screwdriver.

Removal Procedure

1. Unplug the AC adapter, if present, and remove the battery.
2. Remove the keyboard cover (page 2-10).
3. Loosen the three retaining screws along the top of the keyboard (the keyboard may retain the screws).

<Z_keyboard1>

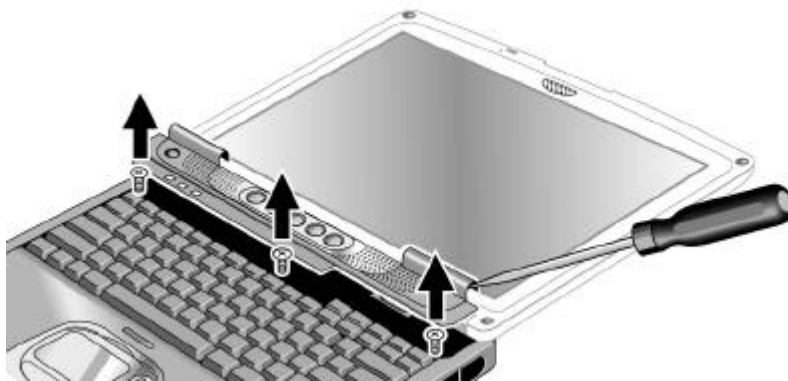


Figure 2-8. Loosening the Keyboard Retaining Screws

Caution

When opening the keyboard, be careful not to pull on the ribbon cable that connects the keyboard to the notebook.

4. Raise the top of the keyboard, then lift the keyboard up and out of the notebook.
5. Lay the keyboard face down on the top case, forward of its normal position, and disconnect the ribbon cable from the motherboard.

Warning

Do not touch the metal surfaces inside the notebook until they have cooled off. They could be very hot if the notebook was running recently.

<Z_keyboard2>

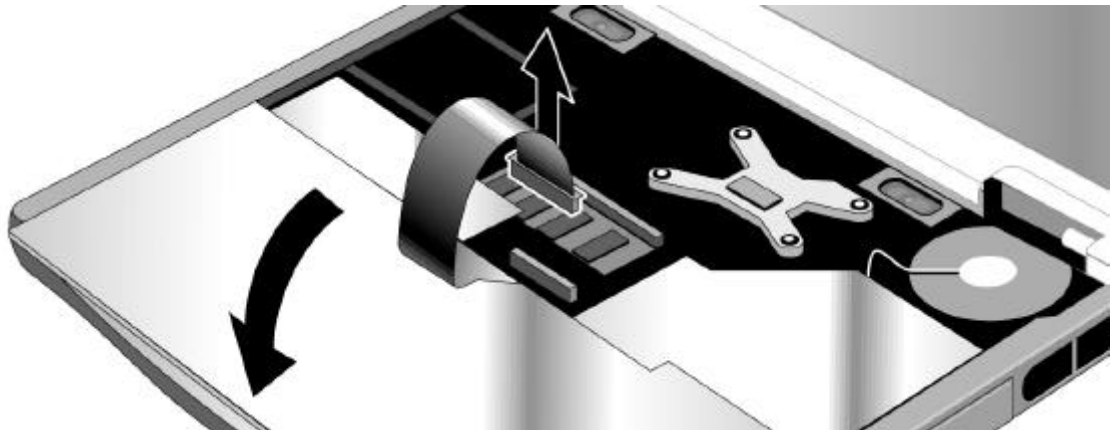


Figure 2-9. Disconnecting the Keyboard

Reassembly Notes

- Lay the keyboard face down on the top case, forward of its normal position, and reconnect the ribbon cable.
- Slip the metal tabs on the bottom of the keyboard into their slots in the top case, then lower the keyboard into place.

Removing an SDRAM Module (User-Replaceable)

The notebook has no SDRAM built into its motherboard, but has two slots for PC133 SDRAM modules: a system SDRAM slot beneath the keyboard (containing an SDRAM module installed at the factory), and an expansion slot on the bottom of the unit.

Caution

Provide proper grounding and handle the SDRAM module only by its edges, or you could damage the module through electrostatic discharge.

Required Equipment

- #0 Phillips screwdriver.

Removing an Expansion SDRAM Module

Removal Procedure

1. Unplug the AC adapter, if present, and remove the battery.
2. On the bottom of the notebook, loosen the screw holding the SDRAM cover (the cover retains the screws), and remove the cover.
3. Press outward to release the latches at the sides of the SDRAM module (so that the free edge of the module pops up), then pull the module out of the connector.

<Z_ramout>

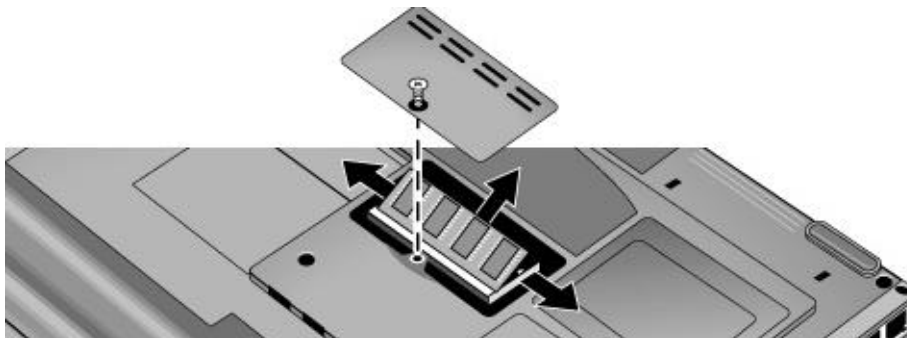


Figure 2-10. Removing an Expansion SDRAM Module

Reassembly Notes

- Carefully press the SDRAM module into the connector at an angle of about 30°, until it is fully inserted. Then press down on both sides of the module until the latches snap closed.

<Z_ramin>

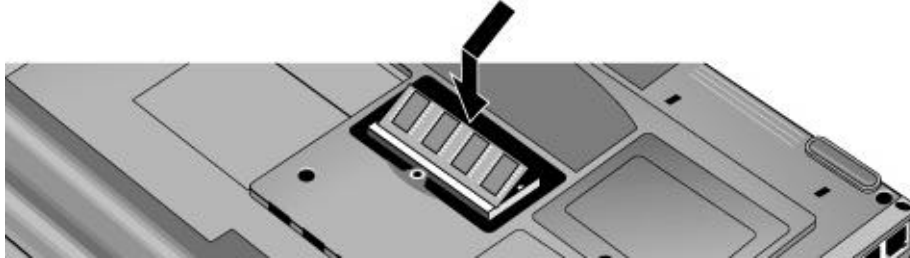


Figure 2-11. Installing an Expansion SDRAM Module

Removing the System SDRAM Module

Removal Procedure

1. Unplug the AC adapter, if present, and remove the battery.
2. Remove the keyboard cover (page 2-10).
3. Open the keyboard (page 2-12, steps 1 through 4). You don't need to disconnect the keyboard cable.
4. Press outward to release the latches at the sides of the SDRAM module (so that the free edge of the module pops up), then pull the module out of the connector.

<Z_sysram>

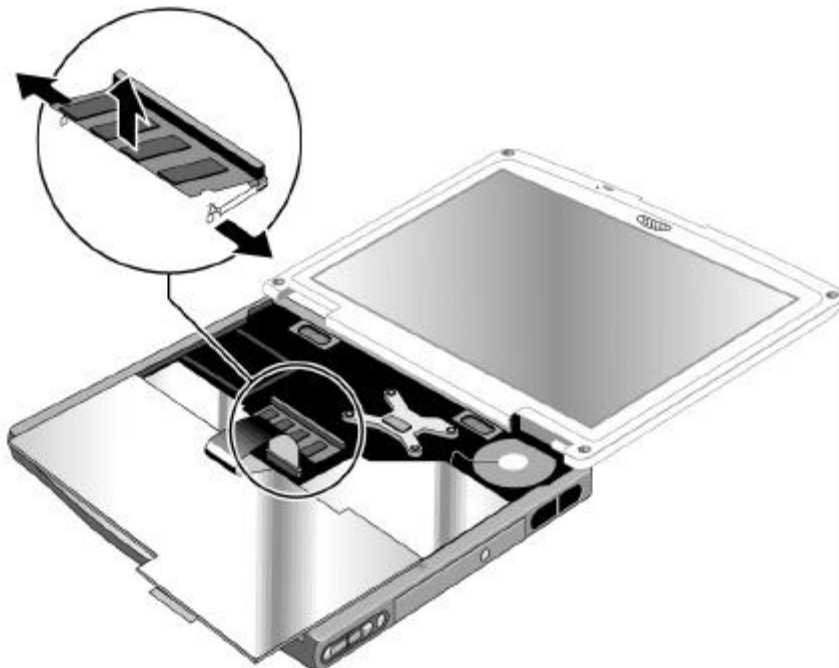


Figure 2-12. Removing the System SDRAM Module

Reassembly Notes

- Carefully press the SDRAM module into the connector at an angle of about 30°, until it is fully inserted. Then press down on both sides of the module until the latches snap closed.

Replacing Small Parts (User-Replaceable)

The user can replace the following small parts.

Table 2-4. Replacing Small Parts (User-Replaceable)

Part	Part Numbers	Replacement Procedure
Cover, mini-PCI	Included in door kit F3377-60933	On the bottom of the notebook, loosen the screw in the mini-PCI cover (the cover retains the screw) and remove the cover.
Cover, expansion SDRAM	Included in door kit F3377-60933	On the bottom of the notebook, loosen the screw in the SDRAM module cover (the cover retains the screw) and remove the cover.
Covers, screw (on display bezel)	Included in feet/cover kit F3377-60967	Insert a small flat-blade screwdriver under the cover and pry it loose. To replace, firmly press the adhesive side of the cover into the recess.
Feet, rubber	Included in feet/cover kit F3377-60967	Insert a small flat-blade screwdriver under the foot and pry it loose. To replace, firmly press the adhesive side of the foot into the recess.

Removing the Mini-PCI Card

(HP Authorized Service Providers Only)

Certain notebook models include a mini-PCI card that contains either a modem or combined modem and 802.11 wireless.

Caution

Provide proper grounding and handle the card only by its edges, or you could damage it through electrostatic discharge.

Required Equipment

- #0 Phillips screwdriver.

Removal Procedure

1. Unplug the AC adapter, if present, and remove the battery.
2. On the bottom of the notebook, loosen the screw holding the mini-PCI cover (the cover may retain the screw), and remove the cover.
3. Press outward to release the latches at the sides of the card, and carefully lift its free edge up.
4. Disconnect the cable(s) from the card.
5. Gently pull the card out of its connector.

<Z_minPCI>

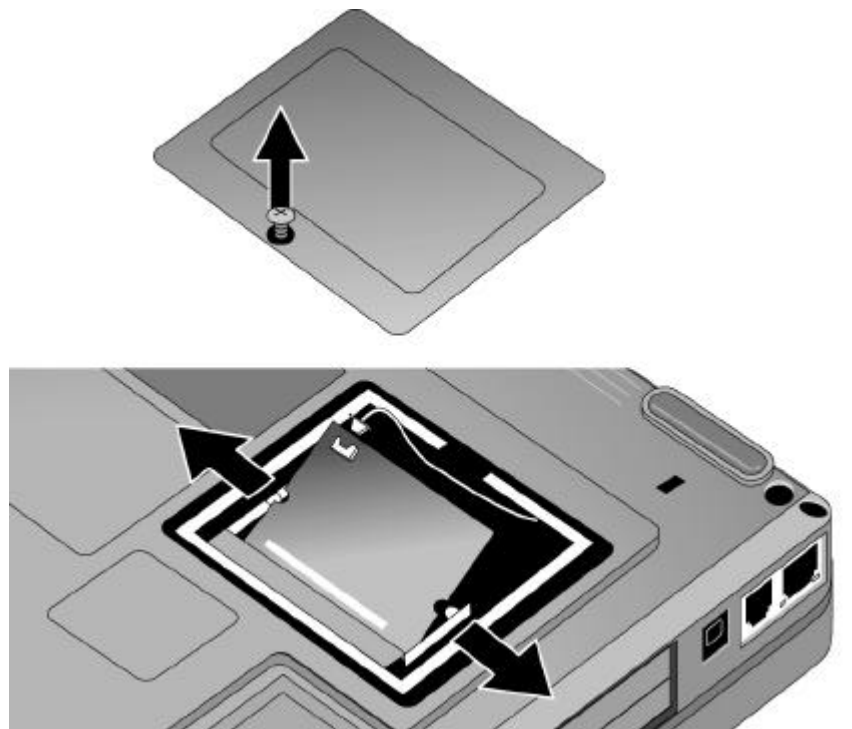


Figure 2-13. Removing the Mini-PCI Card

Reassembly Notes

- Reattach the cable(s) to the card, and tuck them into the compartment.
- Gently press the card into the connector at an angle of about 30°, until it is fully inserted. Then press down on both sides of the card until the latches snap closed.

Removing the Display Assembly

(HP Authorized Service Providers Only)

Required Equipment

- #0 Phillips screwdriver.

Removal Procedure

1. Unplug the AC adapter, if present, and remove the battery.
2. Remove the keyboard cover (page 2-10).
3. Remove both retaining screws from the bottom of the notebook.

<Z_display2>

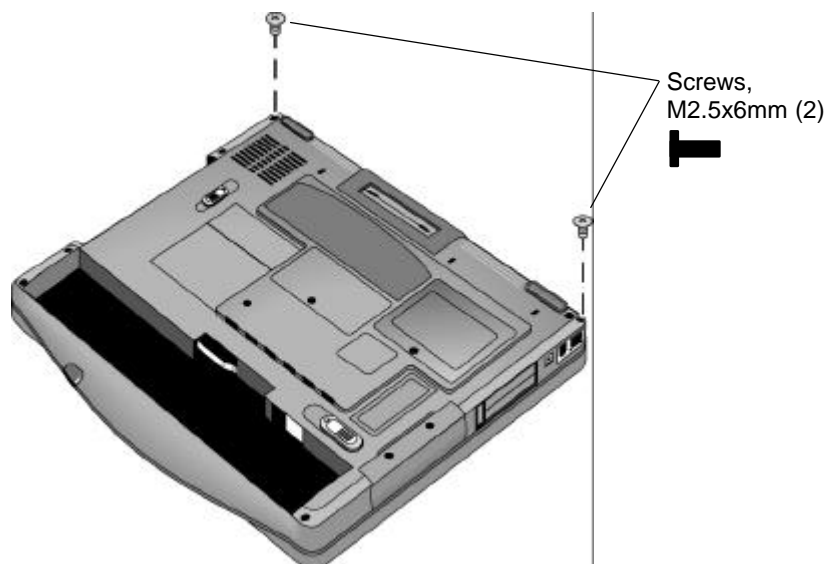


Figure 2-14. Removing the Display (1)

4. Open the display so that it lays flat.
5. Remove the screw from the left speaker, and move the speaker to the side. Be careful not to pull on the wires connecting the speaker to the motherboard.
6. Disconnect the display cable and ground wire from the motherboard, and carefully remove the cable from the retaining clip near the left display hinge.
7. If present, disconnect the wireless cables near the right display hinge.
8. Remove the retaining screws from the lugs just below the display hinges.
9. Lift the display off of the notebook.

<Z_display3>

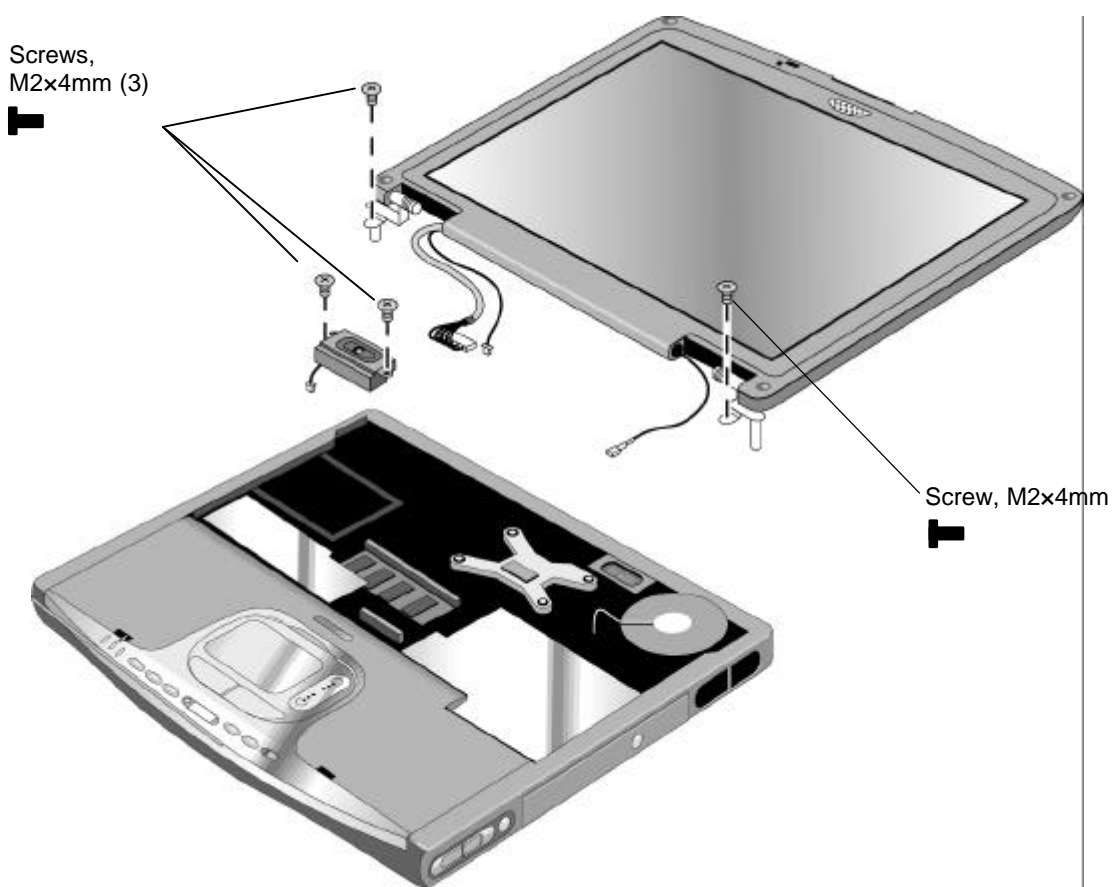


Figure 2-15. Removing the Display (2)

Reassembly Notes

- While installing the hinge screws, support the display so that it remains approximately flat.
- Make sure the cable fits into its slot in the bottom case, and reinsert the cable into the retaining clip near the left display hinge.
- Make sure the tabs on the left side of the left speaker fit between the corresponding tabs in the bottom case, and the speaker wires fit through their notch in the bottom case.

Removing Display Assembly Components

(HP Authorized Service Providers Only)

Note

This procedure describes how to remove the display bezel, the inverter PCA, and (if present) the wireless antenna. Although these components can be replaced individually, in many cases it is preferable to replace the display assembly as a unit.

Required Equipment

- #0 Phillips screwdriver.

Removal Procedure

1. Unplug the AC adapter, if present, and remove the battery.
2. Remove these additional assemblies:
 - Keyboard cover (page 2-10).
 - Display assembly (page 2-20).
3. Use a screwdriver or similar object to carefully pry the screw covers from the display bezel.
4. Remove the four screws from the display bezel.
5. Beginning at the top center of the display, carefully pry up the inner edge of the bezel with thumbs and fingers. Work your way around the inside edge to unsnap the latches, then remove the bezel from the display.
6. Remove the retaining screw from the inverter PCA. Carefully turn the PCA over, unplug the cable from the left end, and disconnect the wires extending from its right end.
7. If present, remove both retaining screws from the Bluetooth or 802.11b antenna, and remove the antenna from the display.

<Z_display_xpld>

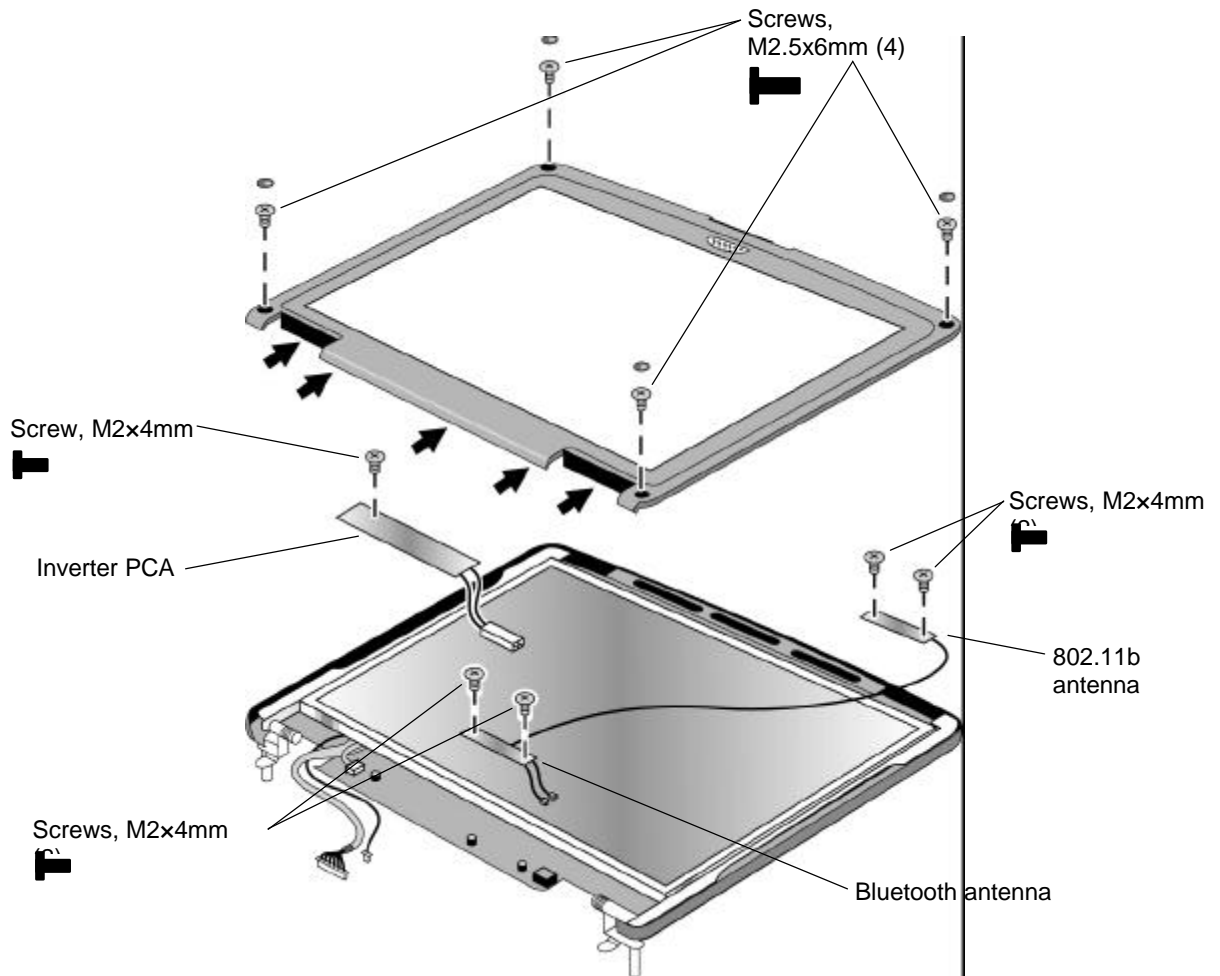


Figure 2-16. Removing Display Assembly Components

Reassembly Notes

- Make sure the alignment hole in the inverter PCA fits over the corresponding post in the display case.
- Make sure the alignment hole in the wireless antenna fits over the corresponding post in the display case.
- Set the bezel in place on the display, then work your way around the bezel, firmly snapping the bezel latches shut.
- The rounded screw covers go on the screws at the top of the display bezel, and the flat covers go on the screws at the bottom of the bezel.

Removing the Fan and Heatsink

(HP Authorized Service Providers Only)

Required Equipment

- #0 Phillips screwdriver.

Removal Procedure

1. Unplug the AC adapter, if present, and remove the battery.
2. Remove these additional assemblies:
 - Keyboard cover (page 2-10).
 - Keyboard (page 2-12).
3. Remove the retaining screw from the right speaker. Disconnect the speaker wires from the motherboard, and lift the speaker out of the notebook.
4. Disconnect the fan wires from the motherboard.
5. Remove both retaining screws from the fan.
6. Lift the fan out of the notebook.

Caution

Do not spin the fan blades with your finger, or you could damage the fan's bearings.
--

7. Remove the heatsink's four retaining screws (with springs attached).
8. Lift the heatsink out of the notebook.

<Z_heatsink_fan>

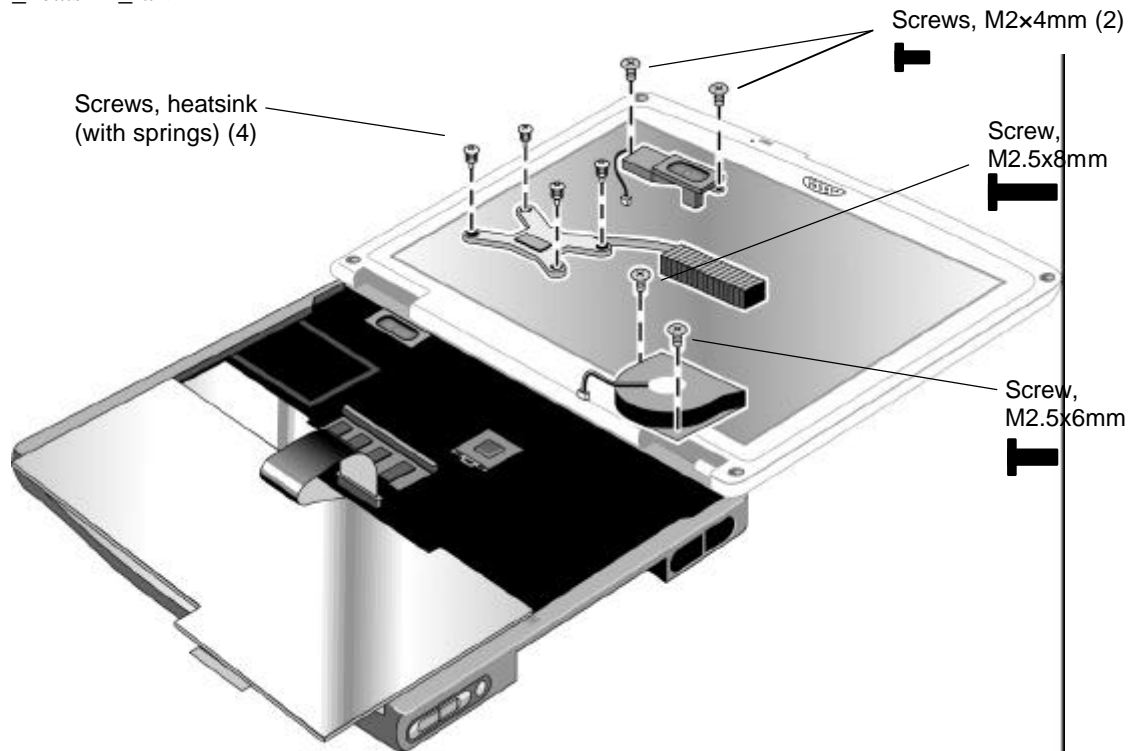


Figure 2-17. Removing the Fan and Heatsink

Caution

Be careful not to touch the upper surface of the CPU module, or you could damage it.



Reassembly Notes

- Make sure the fan wires are not pinned under the fan, and is securely plugged into its socket.
- If present, make sure the wireless cables are not trapped under or behind the fan, or beneath the cooling fins.
- Insert the cooling fins into the opening in the bottom case, then set the heatsink onto its standoffs.
- Tighten the heatsink screws in the order indicated by the numbers on the heatsink.
- Make sure the upper surface of the heatsink is clean, and install a new thermal pad. Be careful not to scratch the upper surface of the pad, and make sure the pad lies flat on the heatsink.

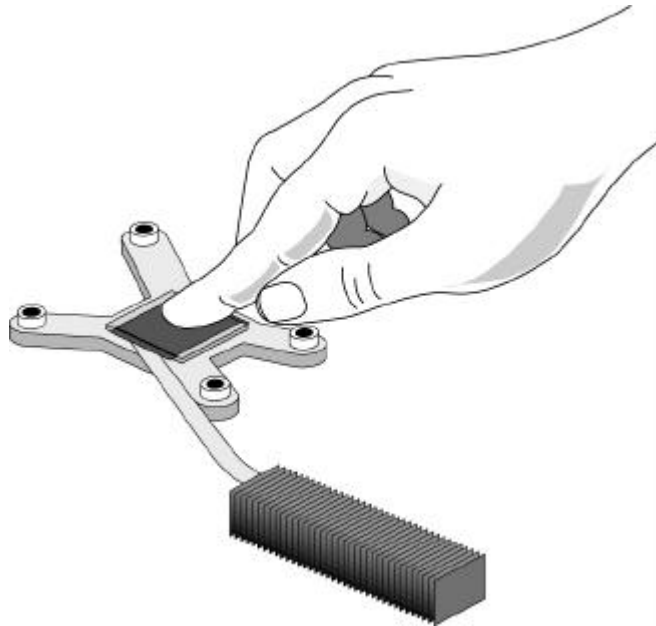


Figure 2-18. Installing a New Thermal Pad

Removing the CPU Module

(HP Authorized Service Providers Only)

Required Equipment

- #0 Phillips screwdriver.
- Small flat-blade screwdriver.

Removal Procedure

Caution

Be careful not to touch the upper surface of the CPU module. Handle it only by its edges, or you could damage it.



1. Unplug the AC adapter, if present, and remove the battery.
2. Remove these additional assemblies:
 - Keyboard cover (page 2-10).
 - Keyboard (page 2-12).
 - Fan and heatsink (page 2-24).
3. Carefully insert the tip of a flat-blade screwdriver in the CPU module lock mechanism, and turn the screwdriver a few degrees counterclockwise until the mechanism clicks into its OPEN position. (The CPU socket moves slightly to the left when this happens.)

Grasp the CPU module by its edges, and carefully lift it straight up and off of its socket.

<Z_cpuOUT>



Figure 2-19. Removing the CPU Module

Reassembly Notes

- Carefully reinsert the module into its socket. Make sure the module is fully seated, and that none of its pins are bent or otherwise damaged.
- Carefully insert the tip of the flat-blade screwdriver in the CPU module lock mechanism, and turn the screwdriver a few degrees clockwise until the mechanism clicks into its LOCK position. (The CPU socket moves slightly to the right when this happens.)

Removing the Top Case

(HP Authorized Service Providers Only)

Required Equipment

- #0 Phillips screwdriver.

Removal Procedure

1. Unplug the AC adapter, if present, and remove the battery.
2. Remove these additional assemblies:
 - Plug-in module (page 2-6).
 - Hard disk drive (page 2-7).
 - Keyboard cover (page 2-10).
 - Keyboard (page 2-12).
 - Display assembly (page 2-20).
3. Remove the retaining screws from the bottom of the notebook.
4. Remove the screws from just inside the hard disk drive compartment, and just inside the plug-in module compartment.

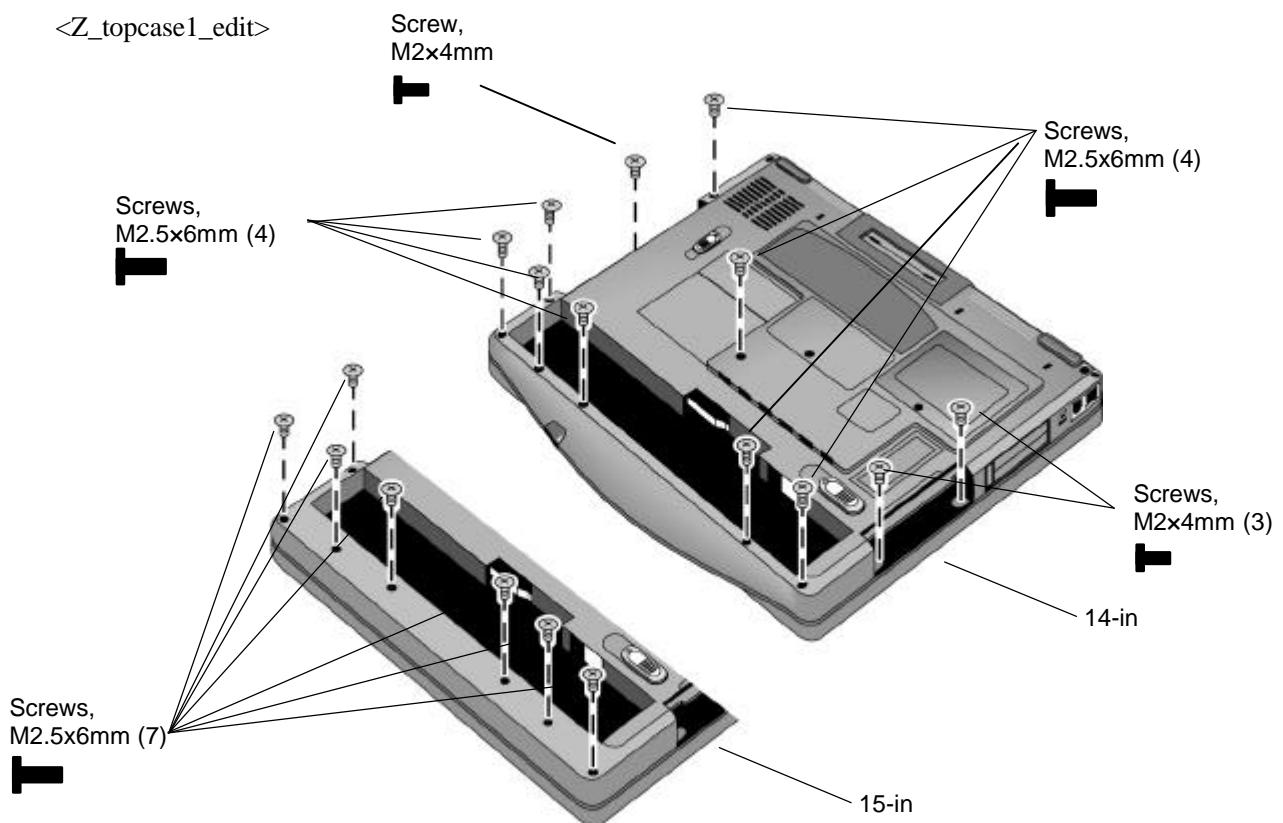


Figure 2-20. Removing the Top Case Retaining Screws

5. Disconnect the touch pad cable and the CD player PCA cable from the motherboard.
6. If present, remove the wireless cables from their slot in the top case.
7. Remove the retaining screws from the top case.
8. Remove the retaining screw from the right speaker, disconnect its wires from the motherboard, and lift the speaker out of the notebook.
9. Raise the back of the top case, then gradually loosen it, moving around the edges of the case toward the front of the notebook.

Caution

When removing the top case, be careful not to pull on the cable that connects the CD player PCA in the top case to the notebook.

10. Carefully lift the top case forward and off of the notebook.
11. Disconnect the volume control PCA cable from the motherboard (if present).

<Z_topcase2>

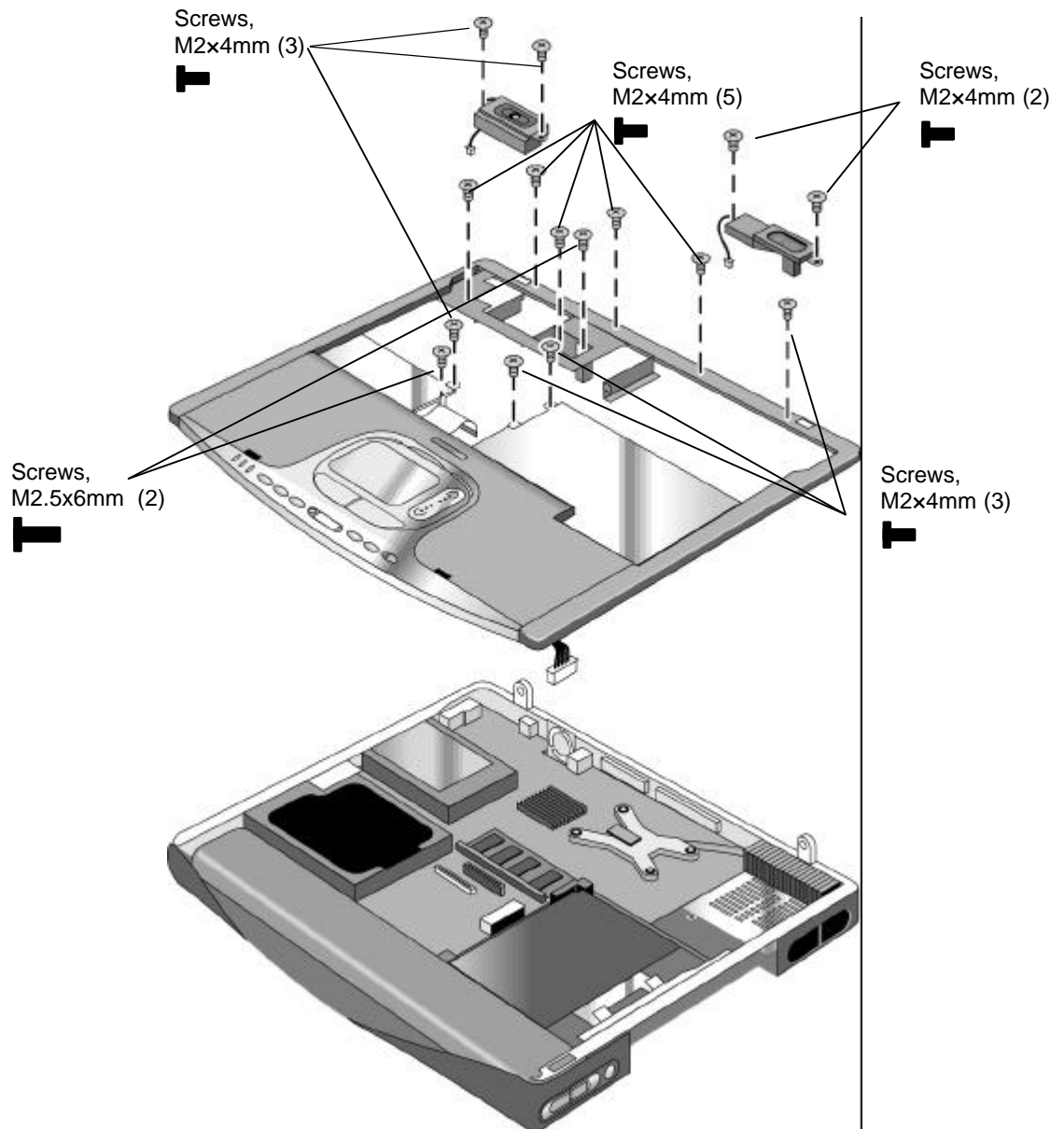


Figure 2-21. Removing the Top Case

Reassembly Notes

- Make sure the touch pad cable, and CD/DVD player PCA cable, and volume PCA cable (if present) are securely connected.
- If present, reinsert the wireless cables into their slot in the top case.
- Make sure the tabs along the edges of the case snap shut.

Removing the Hinge Saddles

(HP Authorized Service Providers Only)

Required Equipment

- #0 Phillips screwdriver.

Removal Procedure

1. Unplug the AC adapter, if present, and remove the battery.
2. Remove these additional assemblies:
 - Keyboard cover (page 2-10).
 - Keyboard (page 2-12).
 - Display assembly (page 2-20).
 - Top case (page 2-29).
3. Remove the retaining screws from the right hinge saddle, and lift the hinge saddle out of the notebook.
4. Remove the retaining screws from the left hinge saddle, and lift the hinge saddle out of the notebook.

Caution

Be careful not to damage the volume control PCA (if present) after removing the right hinge saddle. If excessive handling of the bottom case is anticipated, it is recommended that you remove the PCA to avoid accidentally displacing it.

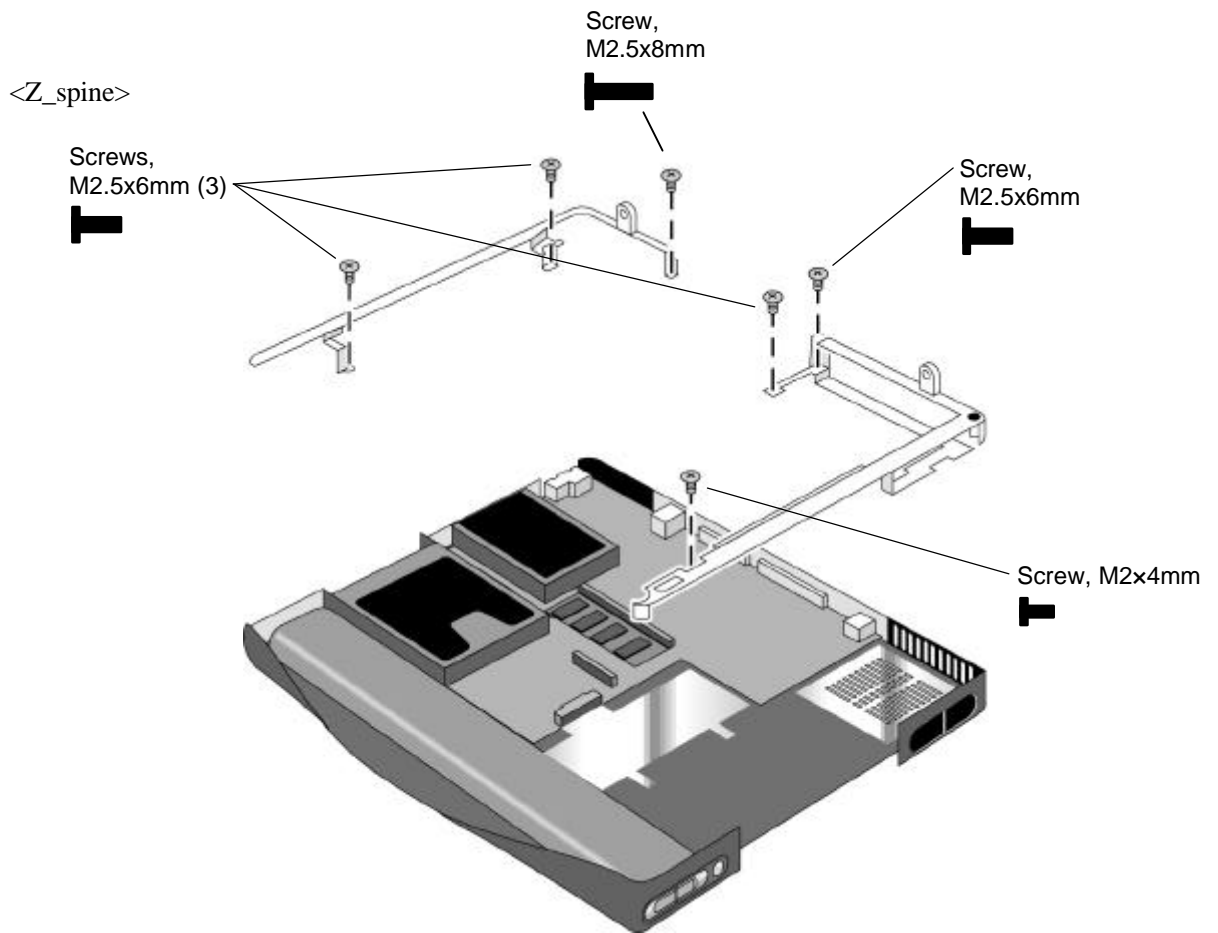


Figure 2-22. Removing the Hinge Saddles

Reassembly Notes

- Make sure the posts on the underside of the hinge saddles line up with the openings in the bottom case, and that the holes in the front ends of the saddle fit over the alignment posts in the bottom case.

Removing the Motherboard or Bottom Case

(HP Authorized Service Providers Only)

Required Equipment

- #0 Phillips screwdriver.
- .5 mm hex driver

When Installing a New Motherboard

Before replacing the motherboard, you must (if possible) electronically store the motherboard's serial number and service ID for transfer to the new motherboard.

1. Exit Windows and boot to a DOS prompt.
2. Run ESN.EXE from one of these sources:
 - On a factory software installation, change to the \hp\drivers\hputils directory and type **esn** at the prompt.
 - Otherwise, copy \hp\drivers\hputils\ESN.EXE from the *Recovery CD*, then run it on the notebook.
3. Store the serial number and service ID as directed.

Removal Procedure

1. Unplug the AC adapter, if present, and remove the battery.
2. Remove these additional assemblies:
 - Battery (page 2-5).
 - Plug-in module (page 2-6).
 - Hard disk drive (page 2-7).
 - Keyboard cover (page 2-10).
 - Keyboard (page 2-12).
 - SDRAM modules (page 2-14).
 - Mini-PCI card (page 2-18).
 - Display assembly (page 2-20).
 - Fan and heatsink (page 2-24).
 - CPU module (page 2-27).
 - Top case (page 2-29).
 - Hinge saddles (page 2-32).
3. Remove the retaining screws from the hard disk drive guide, and lift the guide off of the motherboard.

4. Remove the retaining screw from each CD/DVD disk drive guide, and lift the guides off of the motherboard.
5. Remove both retaining screws from the motherboard.
6. Remove the four standoffs located near the CPU module.
7. Disconnect the audio I/O PCA and remove it from the motherboard.
8. Lift the front edge of the motherboard slightly, then carefully lift the motherboard forward and out of the bottom case.

<Z_motherboard>

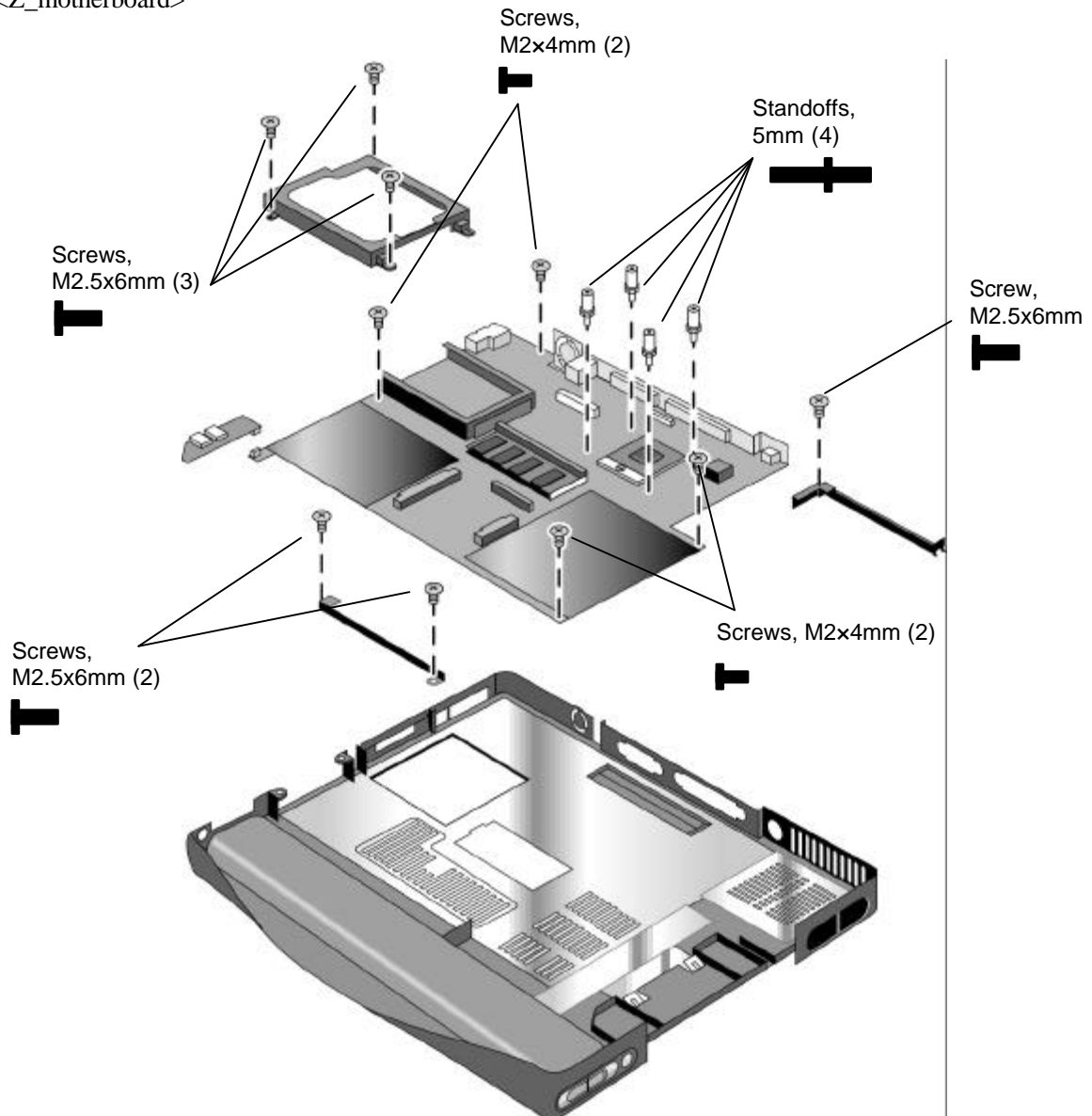


Figure 2-23. Removing the Motherboard

Reassembly Procedure

- When reinstalling the motherboard, see “Reinstalling the Motherboard” on page 2-37.

- When reinstalling the bottom case, see “Replacing the Bottom Case” on page 2-38.

Reinstalling the Motherboard

Reassembly Procedure

1. Insert the I/O connectors through their openings in the bottom case, then lower the motherboard into place.
2. Make sure the PC card eject button fits into its slot in the bottom case.
3. Make sure the alignment posts in the bottom case—near the CPU module and PC card guide—fit through the corresponding openings in the motherboard.

When Installing a New Motherboard

After installing a new motherboard, you must electronically transfer to it the serial number and service ID from the previous motherboard.

1. Exit Windows and boot to a DOS prompt.
2. Run ESN.EXE from the same source you used when saving the serial number and service ID from the previous motherboard:
 - On a factory software installation, change to the `\hp\drivers\hputils` directory and type `esn` at the prompt.
 - Otherwise, copy `\hp\drivers\hputils\ESN.EXE` from the *Recovery CD*, then run it on the notebook.
3. Install the serial number and service ID.
 - If you are prompted for the serial number, type the serial number shown on the bottom of the case.
 - If a serial number has already been stored, you must call an HP support center to change it (see page vi).

Replacing the Bottom Case

Installation Procedure

1. Install a new Microsoft Product ID label.
2. Transfer the old serial number label and install a new overlay, or create a new serial number label using the steps on the following page.
3. If you need to install or replace the docking doors or PCMCIA doors, refer to the figures below.

<Z_docking_doors>

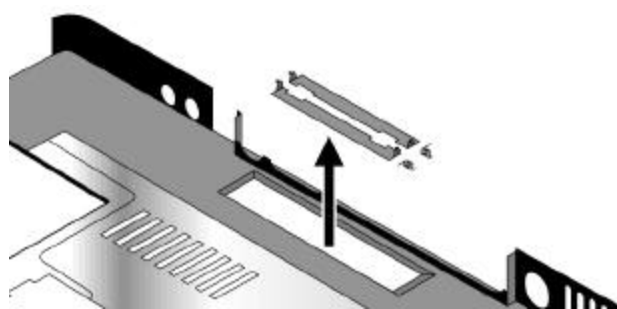


Figure 2-24. Installing the Docking Doors

<Z_pcmcia_doors>

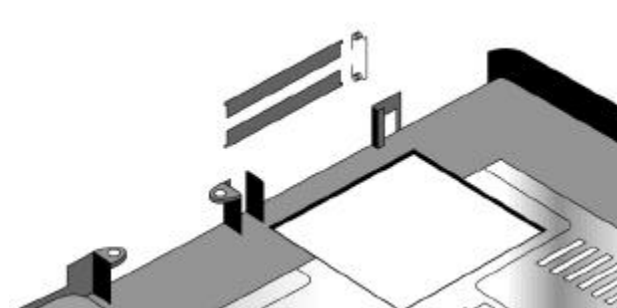


Figure 2-25. Installing the PCMCIA Doors

Installing a New Serial Number Label

Download the latest version of the serial number label template (Microsoft Word format) from the Partnership web site (see page vi) under Support/Service in Technical Support Information, or from <http://www.mcd.hp.com>. Store it with other Word templates on a PC connected to a laser printer. The latest version includes fields for warranty period and manufacturing location.

1. Open a new document based on the serial label template.
2. Enter the information from the old serial label, and print the new label on plain white paper. The new label does not have barcodes.
3. Carefully cut out the new serial label just inside the border and place it into the inner recess in the bottom case. The bottom of the label goes toward the front of the case.
4. While holding the paper label in place, attach a serial label overlay into the outer recess. It covers and protects the serial label.

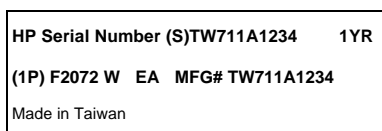


Figure 2-26. Example of Serial Number Label

Removing Notebook Components

(HP Authorized Service Providers Only)

Required Equipment

- #0 Phillips screwdriver.
- Small flat-blade screwdriver.

Removal Procedure

1. Unplug the AC adapter, if present, and remove the battery.
2. Remove the assemblies and follow the additional steps given in the table below.

Table 2-5. Removing Notebook Components

Component	Removal Procedure	Additional Steps
Antenna, Bluetooth	See page 2-22.	
Antenna, wireless	See page 2-22.	
Bezel, display	See page 2-22.	
Card, mini-PCI	See page 2-18.	
Case, bottom	See page 2-34.	
Case, top	See page 2-29.	
Cover, keyboard	See page 2-10.	
Display assembly	See page 2-20.	
Doors, docking	Plug-in module (page 2-6). Hard disk drive (page 2-7). Keyboard cover (page 2-10). Keyboard (page 2-12). SDRAM modules (page 2-14). Mini-PCI card (page 2-18). Display assembly (page 2-20). Fan and heatsink (page 2-24). CPU module (page 2-27). Top case (page 2-29). Hinge saddles (page 2-32). Motherboard (page 2-34).	See Figure 2-24 on page 2-38.

Component	Removal Procedure	Additional Steps
Doors, PCMCIA	Plug-in module (page 2-6). Hard disk drive (page 2-7). Keyboard cover (page 2-10). Keyboard (page 2-12). SDRAM modules (page 2-14). Mini-PCI card (page 2-18). Display assembly (page 2-20). Fan and heatsink (page 2-24). CPU module (page 2-27). Top case (page 2-29). Hinge saddles (page 2-32). Motherboard (page 2-34).	See Figure 2-25 on page 2-38.
Fan	See page 2-24.	
Guide, hard disk drive	Keyboard cover (page 2-10). Keyboard (page 2-12). Display assembly (page 2-20). Top case (page 2-29).	Remove the retaining screws, and lift the guide off of the motherboard.
Guides, optical disk drive	Keyboard cover (page 2-10). Keyboard (page 2-12). Display assembly (page 2-20). Top case (page 2-29).	Remove the retaining screw on each guide, and lift the guides off of the motherboard
Heatsink	See page 2-24.	
Keyboard	See page 2-12.	
Module, CPU	See page 2-27.	
PCA, Audio	Keyboard cover (page 2-10). Keyboard (page 2-12). Display assembly (page 2-20). Top case (page 2-29). Hinge saddle, left (page 2-32). RENVOIPAGERENV OIPAGERENVOIPAGE RENVOIPAGE	Carefully lift the PCA off of its connector, gently pull the audio jacks out of their openings in the bottom case, and lift the PCA out of the notebook. Reassembly Notes: Make sure that the audio jacks fit through their openings in the bottom case, and the PCA is set securely on its connector.
PCA, inverter	See page 2-22.	
PCA, Modem/Mini-PCI (802.11)		
PCA, Modem Mini-PCI		
PCA, motherboard	See page 2-34.	

Component	Removal Procedure	Additional Steps
PCA, volume control	Keyboard cover (page 2-10). Keyboard (page 2-12). Display assembly (page 2-20). Top case (page 2-29). Hinge saddle, right (page 2-32).	Carefully lift the PCA off of its connector and out of the notebook.
Saddles, hinge	See page 2-32.	
Socket, PCMCIA	Plug-in module (page 2-6). Hard disk drive (page 2-7). Keyboard cover (page 2-10). Keyboard (page 2-12). SDRAM modules (page 2-14). Mini-PCI card (page 2-18). Display assembly (page 2-20). Fan and heatsink (page 2-24). CPU module (page 2-27). Top case (page 2-29). Hinge saddles (page 2-32). Motherboard (page 2-34).	Remove the four screws (M2x3.5) attaching the PCMCIA socket to the motherboard, and remove the socket.
Speaker, left	See page 2-20RENVOIPAGE.	
Speaker, right	See page 2-24RENVOIPAGE.RENVOIPAGE	
Tray, hard disk drive	See page 2-8.	

Troubleshooting and Diagnostics

This chapter includes troubleshooting and diagnostic information for testing the functionality of the notebook, and for identifying faulty components:

- Troubleshooting information
 - Checking for customer abuse (page 3-3).
 - Troubleshooting the problem (page 3-4).
 - Verifying the repair (page 3-4).
 - Suggestions for troubleshooting (page 3-5).
- Diagnostic tools
 - e-Diagtools diagnostic program (page 3-22).
 - Power-on self-test (page 3-25).
 - Sycard PCCtest 450 PC Card (page 3-26).
 - BIOS configuration utility (page 3-28).

Troubleshooting

The suggestions in this section can help isolate and repair the cause of a problem. To ensure quality repairs, follow the basic troubleshooting steps shown below.

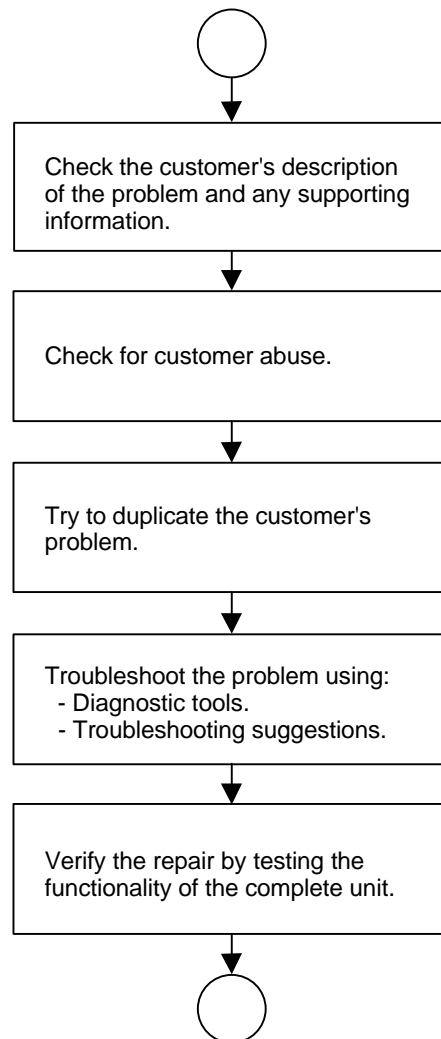


Figure 3-1. Basic Troubleshooting Steps

Checking for Customer Abuse

Some units may appear to have been damaged by customer abuse. Use these guidelines to help determine if this is the case:

- If the shipping box is seriously damaged, customer abuse *cannot* be declared.
- If the damage *could have* a cause other than customer abuse, customer abuse *cannot* be declared.
- If the unit shows any of the following, customer abuse is declared:
 - Missing parts.
 - Broken plastic parts.
 - Parts not original to the unit.
 - Damaged or missing keys on the keyboard.

Table 3-2 on page 3-5 includes additional criteria for determining customer abuse to specific parts of the unit.

Important

Parts damaged by customer abuse are not covered by the warranty.

Troubleshooting the Problem

Record pertinent information about the notebook:

- Model and serial number.
- Operating system and version.
- Software version (hidden file c:\version.inf).
- BIOS version.
- Accessories and peripherals used.

Analyze the problem:

- **Observe Symptoms.** Using the customer's information, try to duplicate the problem. Determine how the problem differs from proper behavior. Also, note the functions that *do* work properly.
- **Separate Problems.** If there is more than one symptom, separate them into distinct problems.
- **Consider Causes.** Keep in mind possible causes for each problem. Use the diagnostic tools and troubleshooting suggestions to help find the possible causes.
 - The e-Diagtools diagnostic program tests most of the notebook's components using automatic and interactive tests, and will be your primary troubleshooting tool. Other tools include the power-on self-test, the BIOS configuration utility, and the Sycard PCCtest. Table 3-1 on page 3-5 shows how you can use these tools to isolate the cause of the notebook's problem.
 - The troubleshooting suggestions on page 3-5 include general suggestions for repairing units that show specific failure symptoms.

Swapping modules that may be defective with others known to be good is generally an ideal way to find the module responsible for the problem. A failure symptom is rarely caused by more than one module, so you will not usually need to replace more than one to correct a particular failure.

After you replace a module, the notebook will normally be in a confused state and lock up when you apply power. If this happens, press the reset switch: this resets the notebook, so that you can restart it in a known state.

Verifying the Repair

Before returning the repaired notebook to the customer, verify the repair by running the following tests:

- **e-Diagtools Basic Diagnostic Test.** Run the basic test of the e-Diagtools diagnostic program (page 3-22).
–and–
- **Function Tests.** Run tests that check the repaired function, such as in the e-Diagtools diagnostic program (page 3-22).
–and–
- **Failed Tests.** Run any other tests that failed during troubleshooting.

Suggestions for Troubleshooting

Table 3-1. Scope of Diagnostic Tools

Function	e-Diagtools	Power-on self-test	Sycard PCCtest 450	BIOS
Bootup		Tests		Configures
Processor	Tests	Tests		
Memory	Tests	Tests		
Fan	Tests			
Batteries		Tests (CMOS battery only)		<F6> at boot to calibrate
Display	Tests			
Hard disk	Tests	Tests		
Keyboard	Tests	Tests		
Parallel	Tests			
LAN	Tests			
Modem	Tests			
PCMCIA/ PC Cardbus	Tests		Tests †	
CD/DVD drive	Tests	Tests (with boot CD)		
† Use an appropriate external device to exercise the port. See the help text for the tests.				

If you cannot isolate the cause of a problem using the above diagnostic tools, use the suggestions in the following table to help find the problem.

Table 3-2. Troubleshooting Suggestions

Symptom	Call Center: Suggestions	Repair Center: Likely Causes	Repair Center: Comments
To help determine likely causes, check to see what replaceable modules are involved in the system function and what roles they play. See Figure 1-8 on page 1-14 and Table 1-6 on page 1-15.			
Startup			
Does not boot on battery, but boots on AC.	Make sure battery is properly installed and fully charged. Check battery contacts. If available, try another battery.	Battery or contacts. Motherboard.	
Does not boot from CD in CD/DVD drive.	Make sure CD is bootable. Use BIOS configuration utility to check boot order. Restart notebook.	CD/DVD drive. Motherboard.	
Sluggish startup or shutdown.	Check disk using Tools tab in disk's Properties sheet, and use Disk Defragmenter to optimize hard drive. Delete temporary and unneeded files.	Hard drive.	Use suggestions shown at left.

Symptom	Call Center: Suggestions	Repair Center: Likely Causes	Repair Center: Comments
Does not boot on AC or battery.	<p>Check power source.</p> <p>Press reset switch to reset notebook, then press power button to turn notebook on.</p> <p>Unplug AC adapter, remove battery and any PC cards, then reconnect power and try again.</p> <p>Do not use touch pad while booting or resuming.</p> <p>Remove battery, AC adapter, and any PC cards. Plug in AC adapter, reset notebook using reset switch, then press power button to turn notebook on.</p> <p>Remove all but one SDRAM module and try again.</p> <p>Reinsert any other SDRAM modules and try again.</p>	<p>AC adapter.</p> <p>SDRAM module.</p> <p>CPU module.</p> <p>Motherboard.</p> <p>Display assembly.</p> <p>Hard drive.</p>	<p>Check AC adapter. Remove any SDRAM modules and try again.</p> <p>If power status light does not turn on, replace top case.</p> <p>If power status light turns on but display remains off, try external monitor. If monitor shows successful boot, replace display assembly. If monitor shows activity but BIOS does not complete, replace display assembly. If monitor is blank, replace motherboard.</p> <p>If power status light and display turn on and BIOS completes, but OS does not start from hard disk or from floppy drive, replace CPU module, then motherboard. If OS starts from floppy drive, use <i>Recovery CDs</i> to reinstall factory software onto hard drive; replace hard drive.</p>
Beeps once, spins hard disk, repeats, but does not boot.		SDRAM module.	Make sure at least one SDRAM module is installed.
Error message such as "Invalid system disk" or "Auto IDE error".	<p>Check for disk in floppy drive.</p> <p>Check boot order using BIOS configuration utility.</p> <p>Remove and reinstall hard drive.</p>	<p>Hard drive contacts.</p> <p>Hard drive.</p>	If notebook boots from floppy drive, check for corrupt files on hard drive; use <i>Recovery CDs</i> to reinstall factory software onto hard drive; replace hard drive.
Password forgotten.	Verify proper ownership, then follow removal procedure with owner and record appropriate data. See page 5-1.		User must call Technical Support and provide proof of ownership. Password removal is restricted to certain sites. See page 5-1.
Power/Battery			
No power.	<p>Make sure charged battery is installed or AC adapter connected.</p> <p>Try another battery or AC adapter if available.</p>	<p>AC adapter.</p> <p>Battery.</p> <p>Motherboard.</p>	
Does not run on battery; empty battery indication.	<p>Check battery and contacts.</p> <p>Try another battery if available.</p>	<p>Battery or contacts.</p> <p>Motherboard.</p>	
Beeps repeatedly.	Notebook beeps repeatedly when battery is low. Connect AC adapter or replace battery.	Battery.	

Symptom	Call Center: Suggestions	Repair Center: Likely Causes	Repair Center: Comments
Notebook turns off immediately after turning on.	Battery is probably extremely low. Connect AC adapter or replace battery.	Battery.	
Battery does not charge.	Make sure AC adapter is connected properly and battery installed properly. Check battery contacts. If available, try another battery and AC adapter. Move notebook away from any nearby heat source. Unplug AC adapter and allow battery to cool down. Check for blocked air vents.	Battery or contacts. AC adapter. Motherboard. Fan. Heatsink.	Check battery and AC adapter. Check fan and heatsink.
AC adapter does not power notebook.	Try another AC adapter, if available.	AC adapter. Motherboard.	AC adapter cannot be repaired, and must be replaced.
Notebook has short operating time.	Turn down display brightness. Check timeout settings in Power Options in Control Panel. Battery gauge may need calibration. Restart notebook, press F6 when HP logo appears, and follow onscreen instructions. This calibrates the battery, and requires four to five hours. You cannot use notebook during this process. Certain applications can cause excess CPU and power usage. (Users can get Intel Power Monitor from www.intel.com and monitor CPU load.) When playing DVD movies on battery power, use Power Options in Control Panel to select Portable/Laptop power scheme. When using applications with automatic save feature (such as MS Word), extend save time or disable to reduce hard disk access and power usage. PCMCIA card use can affect battery life. Some PCMCIA cards draw power even while not in use. Heavy modem use can affect battery operating time.	Battery. Motherboard.	Rechargeable batteries tend to degrade over time. Appropriate battery training and calibration is required for maximum battery life. Battery life may vary depending on notebook model. Approximate battery life by type (depending on usage and battery calibration): <ul style="list-style-type: none"> • 8-cell Lilon: up to 3.5 hrs. • 6-cell Lilon: up to 2.5 hrs. • 8-cell NiMH: up to 2 hrs.

Symptom	Call Center: Suggestions	Repair Center: Likely Causes	Repair Center: Comments
Battery indicator is inaccurate.	Time Remaining is an estimate based on how much power the notebook is using at that moment. It therefore depends on the current task, and assumes power will be used at the same rate until the battery runs out. So, for example, if the notebook is performing a task requiring a good deal of power (such as reading from a CD or DVD), the value will probably show too little time remaining.		
Standby/resume			
General problems	Close all applications before entering (or allowing notebook to enter) standby or hibernation. If problem appears after installing new software (including drivers), uninstall that software. Contact software vendor for additional support.		
Notebook resumes slowly from standby	Notebook can take a minute or longer to resume if network card is installed. Blinking cursor appears while system is loading and checking hardware and network connections. When hardware is reinitialized, Windows desktop appears.		
Does not go on standby as expected.	The notebook won't suspend if it has an active connection to another computer. If the notebook is busy, it normally waits to finish the current operation before suspending.		
Does not automatically enter hibernation as expected.	Make sure hibernate support is enabled in Power Options in Control Panel. Also, make sure the hibernate timeouts (Power Schemes tab) for AC and battery power are not set to Never.		
Notebook with Bluetooth won't enter standby or hibernation.	Disable Bluetooth. If Bluetooth device is transmitting, notebook may not be able to enter standby or hibernation.		

Symptom	Call Center: Suggestions	Repair Center: Likely Causes	Repair Center: Comments
Display			
Dark display, no light.	Make sure notebook is turned on and warmed up. Check power supply. Adjust display brightness. Press Fn+F5 several times. Make sure SDRAM modules are installed properly. Make sure display cables are properly connected. Make sure CPU module is installed properly. Try external monitor.	Display cable connection. SDRAM modules. CPU module. Display assembly. Motherboard.	Check cable connections. Replace SDRAM modules. Replace CPU module. Replace display assembly. If external monitor displays no image, replace motherboard.
White display.	Adjust display brightness.	Display assembly.	
Erratic display.		Display cable connection. Display assembly. Motherboard.	Check display cable connection.
Bright or missing pixels or lines.	See quality statement on page 5-2.	Display cable connection. Display assembly.	Check display cable connection. See quality statement on page 5-2.
Punctured display.			Declared to be caused by customer abuse.
Vertical crack near center of display.		Usually caused by closing display with pencil-sized object on keyboard.	Declared to be caused by customer abuse.
Scratched display glass.			Declared to be caused by customer abuse.
Local area of dark or light discoloration visible when display is on.		Caused by excessive pressure applied to area on screen.	Declared to be caused by customer abuse.
External display does not work.	Check connections. Press Fn+F5 several times. Try display on another computer.	External display. Motherboard.	
Display difficult to read or part of desktop not visible.	Check display resolution (default is 1024 x 768). Use HP Desktop Zoom to adjust size of desktop icons and labels.		
Cannot switch to TV display by pressing Fn+F5	Fn+F5 switches only between internal LCD and external display connected to VGA port, and will not switch to TV display connected to TV output port.		

Symptom	Call Center: Suggestions	Repair Center: Likely Causes	Repair Center: Comments
If you cannot change the display resolution or color depth while playing a DVD or a video file in AVI or MPEG format	Set display resolution and color depth before starting DVD or video file player. You cannot change these settings once player is started.		
If a DVD or a video file in AVI or MPEG format doesn't play with two displays	Before starting DVD or video file player, press Fn+F5 to switch to one display. You cannot switch displays once player is started. If using both displays, DVD or video image will not appear on any display set up as "secondary". Click Start, Control Panel, Appearance and Themes, Display. Click Advanced on Settings tab, then click S3Display tab and change settings.		
Display problems while using a TV set as a monitor	Notebook's S-video (TV-out) port is optimized for DVD display. Performance may vary when using S-video port for other applications. Before using TV set as monitor, switch notebook's display resolution to 800 by 600 pixels: 1. Connect video cable from TV set to notebook's S-video port. 2. Turn on TV. 3. Click Start, Control Panel, Appearance and Themes, Display, Settings, then click Advanced button. 4. On S3Display tab, select TV as Display Device, then click OK. 5. Set screen resolution to 800 by 600 pixels, then click OK.		
Hard disk			
Hard disk never spins.	Check power source. Remove and reinstall hard drive. Check connector.	Hard drive or connector. Motherboard.	If drive case is damaged, drive may not operate properly.
Hard disk makes clunking or scratching noise.	Back up drive immediately. Was notebook or drive dropped?	Hard drive.	Check notebook and drive for evidence of customer abuse.

Symptom	Call Center: Suggestions	Repair Center: Likely Causes	Repair Center: Comments
Hard disk makes buzzing or whining noise.	Back up drive immediately. Check hard drive installation. Check for alternate noise sources, such as PCMCIA drive or fan.	Depends on source of noise.	
Files are corrupted.	Run virus scan program. Check disk using Tools tab in disk's Properties sheet. Back up files if possible, then use <i>Recovery CDs</i> to reformat hard disk and reinstall factory software.		Use suggestions shown at left.
Disk capacity is less than normal.	Check disk using Tools tab in disk's Properties sheet. Check partitions using Control Panel, Administrative Tools, Computer Management under Storage. Use <i>Recovery CDs</i> to reformat hard disk and reinstall factory software.	Hard drive.	Use suggestions shown at left.
Disk's reported capacity is less than actual size	Hard disk allocates space to diagnostic software. This space is unavailable for other uses, and not included hard disk capacity reported by Windows.		
CD/DVD drive			
Particular CD or DVD not playing properly.	Check disk for proper insertion, dirt, or damage. Clean with soft cloth or replace as needed. If CD was created on CD-RW drive, try using HP certified media. Read and write quality may vary for other media.		
Cannot read any CD or DVD.	Restart the notebook. Make sure the CD/DVD drive is inserted properly.	CD/DVD drive.	
DVD movie stops playing.	DVD may be double-sided. Movie may be paused. Press Play button.		

Symptom	Call Center: Suggestions	Repair Center: Likely Causes	Repair Center: Comments
Region Code error.	DVDs contain embedded regional codes that prevent them from playing outside the region in which they are sold. This error occurs when trying to play DVD intended for different region. Important: most DVD drives allow region code to be changed only a limited number of times (usually no more than four). When this limit is reached, the last change is hard-coded on the DVD drive, and is permanent. Refer to the DVD player software help for details.		HP warranty does not cover expense of correcting this situation.
“System Error: Unable to read drive” message.	Make sure disk is clean, undamaged, and inserted correctly. Clean with soft cloth or replace as needed. Wait 5 to 10 seconds after closing tray before pressing Play. Restart notebook. Make sure CD/DVD drive is installed properly.	CD/DVD drive. Motherboard.	
DVD doesn't play with two displays	Before starting DVD player, press Fn+F5 to switch to one display. You cannot switch displays once DVD player is started. If using both displays, DVD image will not appear on any display set up as “secondary”. Open Display in Control Panel, click Advanced on Settings tab, and change settings.		
Problems with display resolution or color when playing DVDs	Set resolution or color depth before starting DVD player. You cannot change these once DVD player is started. Some combinations of color depth and resolution not supported in DVD playback. If needed, reduce color depth or display resolution.		
No DVD or CD-RW software on notebook	CD/DVD drive module may not have been properly installed first time notebook was booted. Make sure drive is correctly installed, and use <i>Recovery CDs</i> to reinstall factory software.		

Symptom	Call Center: Suggestions	Repair Center: Likely Causes	Repair Center: Comments
All DVD play is erratic	Some DVDs include software called "PC Friendly". This software can cause errors or erratic play. If needed, uninstall PC Friendly and restart notebook.		
Keyboard			
Some or all keys do not work properly.	Try reinserting ribbon cable in connector on motherboard.	Keyboard. Motherboard.	
External keyboard does not work.	Check connections.	External keyboard. Motherboard.	
Embedded numeric keypad does not work.	Press Fn+F8 to activate numeric keypad, and Lock key to turn on number lock. Avoid touching touch pad while booting or resuming.	Keyboard. Motherboard.	
Touch pad			
General problems.	Restart notebook. Press and hold power button four seconds to reset notebook. Avoid touching touch pad while booting or resuming. Check settings in Control Panel.	Top case. Motherboard.	
Click button does not work.		Top case. Motherboard.	
Memory			
Out of memory error.	Make sure C drive is not running out of free space. Use memory troubleshooter in Windows Help. Not all third-party memory cards have been tested for use with notebook. Check HP Notebook web site for list of approved memory cards.	SDRAM module.	
Memory doesn't increase after adding SDRAM	Use only PC133 or higher SDRAM modules.	SDRAM module.	
Audio			
No sound is audible.	Increase sound volume. Make sure sound is enabled (software controls). Check for sound resource conflicts in Device Manager. Sound may not operate properly in MS-DOS mode. Check speaker cable connections.	Speakers. Motherboard.	Check operation using headphones or external speakers.

Symptom	Call Center: Suggestions	Repair Center: Likely Causes	Repair Center: Comments
Built-in microphone does not record.	Check software controls for recording sound. Make sure display assembly is connected properly.	Display assembly. Motherboard.	Check operation using external microphone.
Feedback from speakers.	Reduce sound volume. In Volume Control, click Options, Properties, select Playback, and enable microphone. Then make sure microphone is muted.		
PC card detection beep at startup is loud and cannot be adjusted.	Download latest audio driver from technical support area of HP Notebook web site (see page vi).		
Parallel/USB			
General problems.	Check connections. Restart notebook. Check port settings in Device Manager. Check settings in Control Panel. Use troubleshooters in Windows Help. For USB: contact device vendor and HP Notebook web site (see page vi) for latest USB drivers. For USB: if the device is powered by the USB port, try the other port.	Parallel/USB device. Motherboard.	Use loop-back connector when testing parallel port—see page 3-24.
Does not boot from external USB floppy drive.	Make sure floppy disk is bootable. Make sure floppy drive is connected correctly. Use BIOS configuration utility to check boot order.	Floppy drive. Motherboard.	
Modem			
Modem will not connect at 56K.	Verify that host modem supports 56K (V.90) connection speed. Try connecting later in case line quality or other external factor is cause of problem.		

Symptom	Call Center: Suggestions	Repair Center: Likely Causes	Repair Center: Comments
Modem doesn't dial or no dial tone.	<p>Check all cables and connections.</p> <p>Connect a standard telephone to the phone line and make sure the line is working.</p> <p>Try another telephone line, preferably one used for a fax machine or modem.</p> <p>If you're in a foreign country, the dial tone may not be recognized by the modem. In Control Panel, disable option that waits for dial tone.</p> <p>Phone message recording services provided by phone companies use "broken dial tone" to indicate waiting message. This can prevent notebook from detecting dial tone.</p>	Mini-PCI card. Motherboard.	
Modem will not connect at any speed.	<p>Make sure notebook's modem is properly connected to wall telephone jack. Check cables.</p> <p>Verify settings in Control Panel. Make sure parity, speed, word length, and stop bits match on sending and receiving modems.</p> <p>Restart notebook.</p> <p>Run Windows modem diagnostics or modem troubleshooter in Windows Help.</p> <p>Open Device Manager. If modem is disabled, enable it. If it has a conflict, try disabling another device.</p> <p>Use analog telephone line, not PBX or digital line. In a hotel, ask for data line.</p> <p>Try disabling error correction and data compression.</p> <p>Download latest modem driver from technical support area of HP notebook web site (see page vi).</p>	Mini-PCI card. Motherboard.	

Symptom	Call Center: Suggestions	Repair Center: Likely Causes	Repair Center: Comments
Modem dials incorrectly.	<p>Check number you entered, including digits required for outside access or long distance.</p> <p>Check dialing options in Control Panel—look for duplicate digits for outside access or long distance.</p> <p>In foreign country, modem may not recognize dial tone. In Control Panel, disable option that waits for dial tone.</p> <p>Disable call-waiting.</p>		
Modem seems slow.	<p>Check for excess line noise or static (often difficult to eliminate on international calls). Contact telephone company if needed.</p> <p>Disable call-waiting.</p> <p>Eliminate extra connections in the line. If possible, connect directly to wall jack.</p> <p>Try another telephone line, preferably one used for a fax machine or modem.</p>	Mini-PCI card.	
Modem isn't detected.	<p>Check modem setup in Control Panel. Check COM port.</p> <p>Open Device Manager. If modem is disabled, enable it. If conflict exists, try disabling another device.</p> <p>If running fax software using fax Class 2, try Class 1.</p>	Mini-PCI card. Motherboard.	
Modem connects, but transferred data is bad.	<p>Verify settings in Control Panel. Make sure parity, speed, word length, and stop bits match on sending and receiving modems.</p> <p>Disable error correction and data compression.</p>	Mini-PCI card.	
Modem doesn't fax.	<p>If using fax Class 2 in fax software, try Class 1.</p> <p>Close any other communications programs.</p> <p>If faxing by printing from application, make sure fax printer is selected.</p> <p>Turn off power management features temporarily.</p>		

Symptom	Call Center: Suggestions	Repair Center: Likely Causes	Repair Center: Comments
General problems.	If PC card modem is not working, disable internal modem in Control Panel. Download latest modem driver from technical support area of HP Notebook web site (see page vi).	Mini-PCI card. Motherboard.	
One-Touch button problems			
Buttons not working properly.	Make sure correct applications are associated with buttons in One-Touch tab of Keyboard in Control Panels.	Keyboard cover. Keyboard cover PCA. Motherboard.	
On-screen display does not appear when button is pressed.	Make sure Onscreen Display is enabled in One-Touch tab of Keyboard in Control Panels.		
Printing			
Printer doesn't print	Make sure printer is on. Make sure printer cable is securely attached at both ends. Make sure cable or cable adapter is appropriate for printer type. Use print troubleshooter in Windows Help.	Cable. Motherboard.	
LAN/Network			
General problems.	Check cables and connections. Try connecting notebook to another network station (if applicable). Try connecting cable to another computer or network station. If green light next to LAN port does not light, LAN cable may not be connected to network or network may be down. Check settings in Device Manager. If network adapter is disabled, enable it. If conflict exists, try disabling another device. Use networking troubleshooter in Windows Help. Make sure LAN cable is Category 3, 4, or 5 for 10Base-T operation, or Category 5 for 100Base-TX operation. Maximum cable length is 100 m (330 ft).	Mini-PCI card. Motherboard.	

Symptom	Call Center: Suggestions	Repair Center: Likely Causes	Repair Center: Comments
Can't browse My Network Places	Check with network administrator to make sure network supports NetBEUI protocol. Use Windows Search to locate computer on network.		
Can't log in to Netware servers.	If Netware server uses IPX/SPX protocol, may need to force frame type to match server's frame type. Check with network administrator.		
Notebook stops responding after booting	If using a TCP/IP network with no DHCP server, long delay can occur at startup because DHCP is enabled. Contact network administrator for proper TCP/IP configuration.		
Infrared			
General problems.	<p>Make sure correct drivers are installed. In Device Manager, double-click Infrared devices, then double-click IrDA Fast Infrared Port. On Advanced tab, click Infrared Transceiver A in Property window, then select IBM 31T1100 from pull-down menu.</p> <p>Make sure the line between the two infrared ports is not blocked, ports face each other squarely and are no more than 1 meter apart.</p> <p>Sunlight, heat from nearby equipment, or other sources of infrared radiation can cause transmission errors.</p> <p>Make sure only one application is using infrared port.</p> <p>Remove any PC Cards from notebook (possible IRQ conflict).</p> <p>For fast-IrDA, check for DMA conflict with ECP parallel port.</p>	Motherboard.	

Symptom	Call Center: Suggestions	Repair Center: Likely Causes	Repair Center: Comments
Wireless			
General problems.	<p>Check TCP/IP setup in Control Panel.</p> <p>Check SSID and channel settings: click wireless link icon in taskbar and select Advanced Configuration.</p> <p>Stop USB devices that may perform large data transfers, or adjust application settings to reduce transfer rate.</p> <p>Make sure wireless PCA and antenna are installed properly.</p>	<p>Display assembly.</p> <p>Wireless PCA.</p> <p>Antenna.</p> <p>Motherboard.</p>	
Notebook with Bluetooth won't enter standby or hibernation.	<p>Disable Bluetooth. If Bluetooth device is transmitting, notebook may not be able to enter standby or hibernation.</p>		
PC card			
Miscellaneous problems.	<p>Remove and reinsert PC card.</p> <p>Restart notebook.</p> <p>Try card in other slot or in another computer.</p> <p>Check for conflicts or refresh device list in Device Manager. If card requires an IRQ, make sure one is available.</p> <p>Check HP Notebook web site for installation instructions and information about supported PC cards (page vi).</p> <p>Download current drivers from card manufacturer's web site.</p>	<p>PC card.</p> <p>PCMCIA socket.</p> <p>Motherboard.</p>	<p>Using a flashlight, look for bent pins inside PCMCIA socket.</p> <p>If both slots have problems, replace motherboard. If only one slot has a problem, try replacing PCMCIA socket.</p>
Data loss.	<p>Stop PC card before removing it to avoid data loss.</p>		
PC card modem not working.	<p>Disable internal modem.</p>		

Symptom	Call Center: Suggestions	Repair Center: Likely Causes	Repair Center: Comments
Video file playback			
AVI or MPEG file doesn't play with two displays.	Before playing, press Fn+F5 to switch to one display. Cannot switch displays after play begins. If using both displays, video image will not appear on any display set up as "secondary". Open Display in Control Panel, click Advanced on Settings tab, and change settings.		
Resolution or color depth problems when playing an AVI or MPEG file.	Set the resolution or color depth before starting the video file player. You cannot change these settings after play begins. Some combinations of color depth and resolution are not supported in video file playback. If you receive an error message, reduce color depth or display resolution.		
Performance			
Notebook still on but stops responding.	Press Ctrl+Alt+Del and end any application not responding. Press and hold the power button four seconds to turn off and reset notebook, then press the power button to turn the notebook back on. If this fails, use a pen to press reset switch, then press power button to turn notebook back on.		

Symptom	Call Center: Suggestions	Repair Center: Likely Causes	Repair Center: Comments
Notebook pauses or runs sluggishly.	<p>May be normal Windows behavior (background processing can affect response time).</p> <p>Certain background operations (such as virus scanning software) can affect performance.</p> <p>Press Ctrl+Alt+Del to see if an application is not responding.</p> <p>Restart notebook.</p> <p>If hard disk has spun down to conserve power, it can take several seconds to spin up. If needed, use Power Options in Control Panels to change hard disk time-out to match standby time-out.</p> <p>Some file browsers respond slowly while processing graphics or waiting for broken network connections to time out.</p> <p>Check for overheating—see previous symptom.</p> <p>If notebook's hard disk drive runs frequently (as indicated by notebook's hard disk drive access light) while notebook appears to be paused or running slowly, consider installing additional SDRAM.</p> <p>Check available free disk space. Delete temporary and unneeded files.</p>	<p>Fan.</p> <p>Heatsink.</p> <p>CPU module.</p> <p>Motherboard.</p>	<p>If notebook slows after period of continuous activity, check heatsink—see previous symptom.</p>
Notebook gets abnormally hot.	<p>Always set notebook on a flat surface, so air can flow freely around and underneath.</p> <p>Make sure air vents are clear.</p> <p>Check fan and heatsink installation.</p> <p>Games and other programs that drive CPU usage toward 100% can contribute, as can charging battery.</p>	<p>Fan.</p> <p>Heatsink.</p>	<p>Check fan and heatsink for proper operation or damage.</p>
Clock loses time.	<p>Plug in AC adapter for 24 hours to charge CMOS battery.</p>	<p>Motherboard.</p>	

Diagnostic Tools

This section describes the following diagnostic tools you can use for troubleshooting and repairing the notebook:

- e-Diagtools diagnostic program (below).
- Power-on self-test (page 3-25).
- Sycard PCCTest 450 PC Card (page 3-26).
- BIOS configuration utility (page 3-28).

e-Diagtools Diagnostic Program

The e-Diagtools hardware diagnostic program provides two levels of testing:

- Basic user-level hardware test.
- Advanced individual hardware tests.

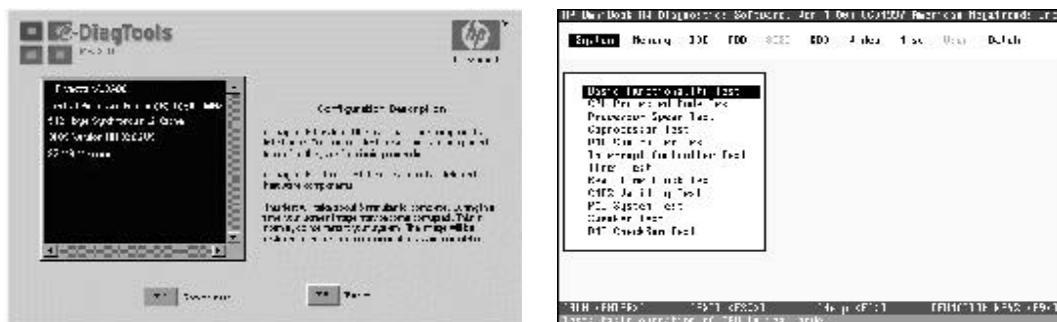


Figure 3-2. e-Diagtools Screens — Basic and Advanced

The tests are designed to run after the system restarts, so that the notebook will be in a predictable state during the tests. The tests are non-destructive, and are intended to preserve the state of the notebook. The notebook restarts when you exit the program so drivers can be loaded.

Updating e-Diagtools

You can download the latest version of e-Diagtools from the HP Notebook web site (see page vi). Follow the instructions included with the new version.

Running e-Diagtools

1. Restart the notebook.
2. When the HP logo appears, press F10 to start the diagnostic test.
3. When the menu appears, press Enter to run e-DiagTools.
4. The first time you run the program, you are prompted to select the language for the program.
5. Press F2 to proceed with the basic tests.

You can also proceed directly to the advanced tests from this point by pressing Ctrl-F9 (in which case skip to step 10, below).

6. When the hardware detection finishes, check the list of detected hardware.

Note

If a device is not detected or fails its test, it might be configured incorrectly in BIOS. You can confirm this by running the BIOS configuration utility and checking the settings—see “BIOS Configuration Utility” on page 3-28.

7. **Run the basic test.** Press F2 to start the basic hardware test.

If the basic test fails, you can press F6 and start a Wizard that runs a set of advanced tests for the failed component. Then generate a support ticket.

8. To exit without running the advanced tests, press F4 to view the Support Ticket. Press F3 to exit.

9. **Optional: Run the advanced tests.** Press F2 to open the advanced test screen.

10. Select and run the appropriate tests. Note that individual tests do not appear if the hardware they test is not detected. Press the following keys to run tests:

Enter	Runs the highlighted test.
F5 or Space	Marks/unmarks the highlighted test.
F6	Marks/unmarks all tests in the current menu.
F7	Marks/unmarks all tests in all menus.
F10	Runs all marked tests.

(Press F9 for a list of all function keys.)

If a test fails, the error code and description are logged, and the error code is displayed temporarily. If several errors occur, look for patterns that might indicate a common cause.

11. **Save the Support Ticket.** Press T to update and display a Support Ticket containing system and test information.
12. When you are finished running tests, press Esc to exit the advanced tests.
13. **Optional:** To save the Support Ticket to a floppy disk, press F7 then Alt+C.
14. **Exit.** Press F3 and then any key to exit and restart the notebook.
15. **Optional: Open the Support Ticket.** In Windows, click Start, Programs (or All Programs), HP e-DiagTools, e-DiagTools for Windows.
16. Click View to display the Support Ticket.
17. To add information about the problem, click Comments and type the information, then click OK.

To save or print the Support Ticket, click Save As or Print.

Note that the parallel port test is more thorough if you connect a loop-back connector to the port before running the test. See the wiring diagrams below.

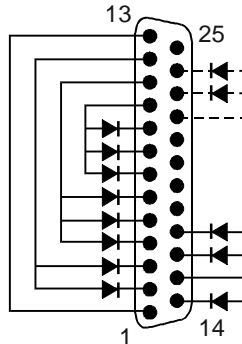


Figure 3-3. Parallel Loopback Connector

Interpreting the Results

The e-Diagtools diagnostic program returns test groups, error codes, and suggestions for repair and/or follow-up actions. Consider these suggestions in combination with other troubleshooting information in servicing the notebook.

Power-On Self-Test

The POST (Power-On Self-Test) is a series of initialization routines and diagnostic tests that the system BIOS runs when the notebook boots. The system BIOS will not boot the operating system if system memory, the CPU, DMA, or interrupt controller fails the POST diagnostic tests. POST progress is indicated by a sequence of codes, and error messages are displayed if possible.

You should not necessarily interpret the failure of one or more POST tests as a hardware, software, or firmware failure. If an error message appears, *confirm the problem using other diagnostic tools*. Not all POST messages indicate a hardware, software, or firmware failure—some messages are for information only.

First, confirm the failure by performing a “clean” boot, as described below: If the notebook fails to restart with a clean boot, it requires repair.

1. Remove all accessories, including SDRAM modules, PC cards, printer, external monitor, pointing device, and keyboard.
2. Provide “clean” AC power—no auto adapter or unusual AC adapter configuration.
3. Press the reset switch to return the notebook to a known state.

If the BIOS detects a terminal error condition, it halts POST after issuing a terminal error beep code and/or displaying a message (see the following table). The beep code indicates the POST routine in which the terminal error occurred.

If the system fails after you make changes using the BIOS configuration utility, reset the notebook, enter the BIOS configuration utility, and install the defaults or correct the error.

Table 3-3. Insyde MobilePRO BIOS POST Beep Codes and Messages

Beep Code	Message	Description
5 short, 1 long	FAULTY DMA PAGE REGISTERS	DMA page registers do not function properly.
4 short, 1 long, 1 short	FAULTY REFRESH CIRCUIT	RAM refresh circuit does not function properly.
4 short, 2 long	ROM CHECKSUM INCORRECT	BIOS ROM checksum failed.
3 short; 1 long, 2 short	CMOS RAM TEST FAILED	CMOS RAM test failed.
3 short, 1 long, 1 short, 1 long	DMA CONTROLLER FAULTY	DMA controller does not work properly.
3 short; 2 long, 1 short	INTERRUPT CONTROLLER FAILED	Interrupt controller does not work properly.
3 short; 3 long	(None)	Keyboard controller failed to respond to the self-test command.
2 short, 1 long; 3 short	(None)	No video device found.
2 short, 1 long; 2 short, 1 long	(None)	No RAM installed.
(None)	KEYBOARD CONTROLLER FAILURE	Keyboard controller failed during system inquiry about connected devices.
(None)	KEYBOARD FAILURE	Keyboard fails to respond or no keyboard is connected.
(None)	CMOS FAILURE - RUN SCU	CMOS data error, probably due to loss of battery power.

Beep Code	Message	Description
(None)	CMOS CHECKSUM INVALID - RUN SCU	CMOS checksum error.
(None)	RAM ERROR AT LOCATION xxxxxx : WROTE : xxxx READ : xxxx	RAM failed during memory test at the indicated location.
(None)	PARITY ERROR AT UNKNOWN LOCATION	Parity error during memory test at unknown location.
(None)	PARITY ERROR AT LOCATION xxxxxx	Parity error during memory test at the indicated location.
(None)	NO INTERRUPTS FROM TIMER 0	Timer 0 of the clock timer controller does not generate system interrupts correctly.
(None)	UNEXPECTED AMOUNT OF MEMORY - RUN SCU	System memory size does not match the CMOS record.
(None)	CLOCK NOT TICKING CORRECTLY	System clock does not work correctly.
(None)	TIME/DATE CORRUPT - RUN SCU	Time/date information in CMOS is invalid.
(None)	MACHINE IS LOCKED - TURN KEY	Keyboard operation is locked.
(None)	BOOT SECTOR 0 HAS CHANGED	Hard disk boot sector has been changed, probably because of a virus attack.
(None)	Suspend-to-Disk partition MISSING!	No Suspend-to-Disk partition found.
(None)	Hard Disk ERROR!	Access to the Suspend-to-Disk partition failed.
(None)	Suspend-to-Disk partition signature NOT FOUND!	No Suspend-to-Disk partition signature found.
(None)	Suspend-to-Disk partition size TOO SMALL!	Suspend-to-Disk partition has insufficient capacity.
(None)	MEMORY SIZE HAS CHANGED -- REBOOTING	Memory size has changed after previous Suspend-to-Disk operation.

Sycard PCCtest 450/460 CardBus Card (Optional)

The PCCtest 450 and 460 CardBus Cards (version 1.05) available from Sycard Technology are the only recommended diagnostic tool that tests the functionality of the PCMCIA slots using a PCMCIA card. Each is a Type II PC Card that works with compatible test software to exercise PCMCIA functions. (For details, see the Sycard Technology Web site: <http://www.sycard.com>.)

The PCCtest product contains these components:

- PCCtest 450 or 460 (revision 1.05) PC Card.
- PCCtest 450/460 test software disk. (Software updates are available at the Sycard Technology web site: <http://www.sycard.com>.)
- Configuration headers (PC Card/16-bit and CardBus/32-bit) that attach to the card.

You will also need a CardBus extender card (such as the Sycard PCCextend 70) to avoid wear on the Sycard PCMCIA connector.

The Sycard PCCtest 450 and 460 provide the following tests. See the Sycard documentation for details about running the tests.

Table 3-4. Sycard PCCtest Commands

	Slot	PCMCIA PC Card (16-bit) test (PC Card configuration header)	CardBus (32-bit) test (CardBus configuration header)

zt1100/xz200/xt1500 (technology code IC)	Upper	N/A	N/A
	Lower	PCT450 -bc1b -0 -v	TESTCB -b92b -0 -v

BIOS Configuration Utility

The BIOS configuration utility provides access to basic system settings. It is independent of the operating system.

Running the BIOS configuration utility

1. Restart the notebook.
2. When the HP logo appears, press F2 to enter the BIOS configuration utility.
3. The pointing devices are not active in the BIOS configuration utility, so you will need to use the keyboard to navigate:
 - Press the left and right arrow keys to move among menus.
 - Press the up and down arrow keys to move among parameters in a menu.
 - Press Enter to open the dialog for the current parameter, or to select the parameter.
 - Press Tab or the left and right arrow keys to move among selections in a dialog.
 - Press the up and down arrow keys to move through values for the setting.
 - Press Enter to close the dialog and accept the settings.
4. After you select the options you want, use the Exit menu to exit the utility.

Table 3-5. BIOS Configuration Menus and Parameters

Pavilion zt1100/xz200 and Omnibook xt1500: Settings for BIOS version IB.M1.00 (Spring 2002).		
Startup Menu	Description	Default
Date and Time	Sets the date using mm/dd/yyyy format, and the time using 24-hour format. Values set take effect immediately.	
Boot Device	Shows the order of boot devices, with "+" indicating a device category. Move the entries to change the order. If the notebook has more than one device in a category, you can select the one scanned. Internal LAN appears in the list only if a built-in LAN is present—it provides diskless boot from a network server.	1. Hard Disk 2. CD-ROM/ DVD 3. Diskette A 4. Internal LAN
CPU Serial Number (on selected models)	When enabled, makes the processor serial number available to software.	Enabled
Components Menu	Description	Default
Keyboard Numlock	Sets whether keyboard NUM LOCK is enabled at startup.	Enabled
LCD Display on/off (selected models)	Enables the LCD status panel.	Enabled
LCD Display Date/Time (selected models)	Sets the format for displaying the date and time on the LCD status panel.	mm/dd/yy hh:mm AM/PM

Security Menu	Description	Default
Set Admin Password	Press Enter to set, change, or clear the administrator password, which protects BIOS settings. The password can have no more than 8 characters (0-9, A-Z), and cannot include special or accented characters. Also sets whether the password is required when the notebook boots, or to enter the BIOS configuration utility.	Enter
Set User Password	Press Enter to set, change, or clear the user password. The password can have no more than 8 characters (0-9, A-Z), and cannot include special or accented characters. (The administrator password must be set first.) Also sets whether the password is required when the notebook boots, or to enter the BIOS configuration utility.	Enter
Exit Menu	Description	
Save and Reboot	Saves changes, then exits and reboots.	
Exit (No Save)	Discards any changes made since last save, then exits and reboots. Does not affect password, date, or time changes.	
Default Settings	Restores default settings, and remains in the utility. Does not affect password, date, or time changes.	
Restore Settings	Discards any changes made since last save, and remains in the utility. Does not affect password, date, or time changes.	

Updating the Notebook's BIOS

Hewlett-Packard may provide updates to the notebook's BIOS to enhance the capabilities of your system. Check the HP Business Support web site (www.hp.com/go/bizsupport). Installation utilities and instructions will be provided with the updates.

Replaceable Parts

This chapter contains an exploded view of the notebook, and lists of replaceable parts:

<Z_xpldall>

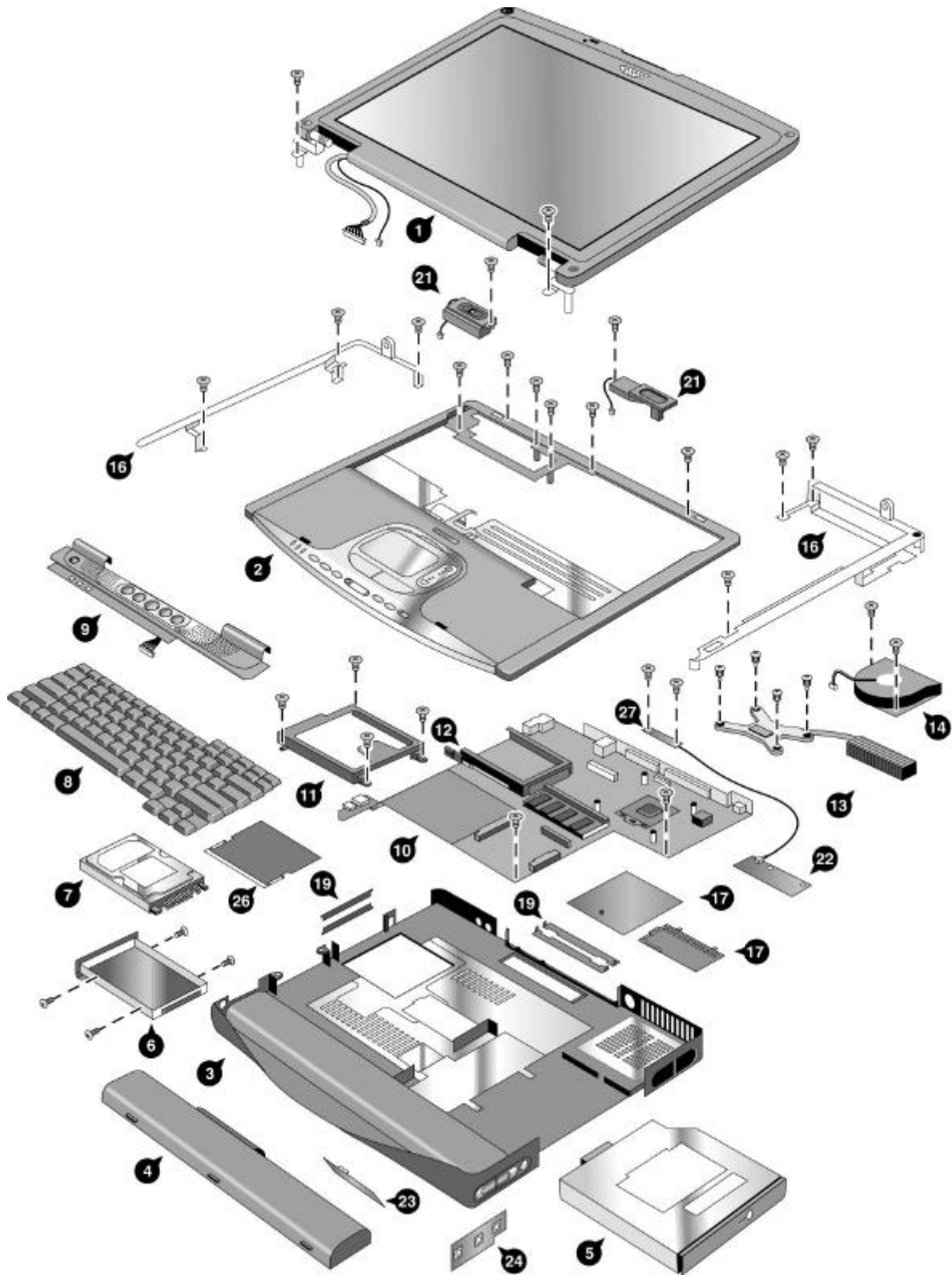


Figure 4-1. Exploded View

Table 4-1. Replaceable Parts

	Description	Part Number	Exchange Part Number	User-Repl.
1	Antenna kit, Bluetooth	F3377-60922		No
2	Battery, Lilon 8-cell	F3172-60901		Yes
2	Case, Top		F3398-60920	No
3	Case, Bottom		F3398-60923	No
3	Case, Bottom-Wireless		F3398-60922	No
4	Cover, keyboard (with LED lens)	F3398-60917		Yes
4	Cover, keyboard 15-in	F3379-60913		No
5	Display, 14" XGA	F3398-60970	F3398-69070	No
5	Display, 14" XGA w/BT	F3398-60972	F3398-69072	No
5	Display, 14" XGA w/WL	F3398-60974	F3398-69074	No
5	Display, 15" SXGA+	F3398-60977	F3398-69077	No
5	Display, 15" SXGA+w/BT	F3398-60979	F3398-69079	No
5	Display, 15" SXGA+w/WL	F3398-60981	F3398-69081	No
5	Display, 15" XGA	F3398-60976	F3398-69076	No
5	Display, 15" XGA w/BT	F3398-60978	F3398-69078	No
5	Display, 15" XGA w/WL	F3398-60980	F3398-69080	No
6	Door set	F3377-60933		Yes
7	Door set, service	F3377-60979		No
8	Drive, DVD module	F3398-60911		Yes
8	Drive, DVD/CD-RW Combo module	F3398-60912		Yes
8	Module, weight-saving	F3398-60913		Yes
9	Drive, hard disk (20 GB, 9.5mm, Hitachi ATA100)	0950-4310	F3428-69502	Yes
9	Drive, hard disk (20,GB, 9.5mm, IBM FDB ATA100)	0950-4318	F3257-69501	Yes
9	Drive, hard disk (20,GB, 9.5mm, Toshiba FDB ATA100)	0950-4287	F3476-69002	Yes
9	Drive, hard disk (30 GB, 9.5mm, Hitachi (Titan) ATA100)	0950-4360	F3414-69501	Yes
9	Drive, hard disk (30 GB, 9.5mm, Hitachi FDB ATA100)	0950-4312	F3428-69501	Yes
9	Drive, hard disk (30 GB, 9.5mm, IBM [Cascade] FDB ATA100)	0950-4319	F3414-69500	Yes
9	Drive, hard disk (40 GB, 9.5mm, Hitachi ATA100)	0950-4313	F3378-69101	Yes
9	Drive, hard disk (40 GB, 9.5mm, IBM FDB ATA100)	0950-4320	F3428-69500	Yes
9	Drive, hard disk (40 GB, 9.5mm, Toshiba ATA100)	0950-4288	F3378-69102	Yes
10	Fan, heatsink	F3398-60935		Yes
11	Guide, hard disk drive tray	F3398-60932		No
12	Guide set, optical disk drive tray (L/R)	F3398-60943		No
13	Heatsink, CPU (without fan)	F3398-60933		No
14	Hinge saddle set (L/R)	F3398-60938		No
15	Keyboard, French	F3428-60903		Yes
15	Keyboard, French Canadian	F3428-60909		Yes
15	Keyboard, Spanish	F3428-60905		

	Description	Part Number	Exchange Part Number	User-Repl.
15	Keyboard, UK English	F3428-60902		Yes
15	Keyboard, US English	F3428-60901		Yes
16	PCA, Audio w/button	F3398-60930		No
17	PCA, Bluetooth	F3377-60938		No
18	PCA, Modem/Mini-PCI (802.11)	F3377-60951		Yes
19	PCA, Modem Mini-PCI	F3377-60950		Yes
20	PCA, motherboard, Pentium	F3398-60903	F3398-69003	No
20	PCA, motherboard, Pentium (with Bluetooth)	F3398-60901	F3398-69001	No
21	PCA, volume control	F3377-60939		No
22	Socket, PCMCIA	F3398-60936		No
23	Speaker set (L/R)	F3398-60931		Yes
24	Tray, hard disk drive	F3398-60914		Yes
	AC adapter, Ultrastim (75W, s/PFC)	F4600-60901		Yes
	Antenna kit, Bluetooth	F3377-60922		No
	Antenna kit, 802.11b (15-in)	F3379-60926		No
	Bezel, LCD, 14.1-in	F3398-60915		No
	Bezel, LCD, 15-in	F3379-60912		No
	CD, MS Mny02/Wrks6 NA	5011-8844		Yes
	CD, zt1000, Fndmtl Training & Ref, Sum '02	F3398-60998		No
	CD, Recovery, WinXP Home, French	F3393-12003		Yes
	CD, Recovery, WinXP Home, NA English	F3393-12006		Yes
	CD, Recovery, WinXP Home, UK English	F3393-12002		Yes
	Cord, Power, Europe #ABB (2w)	8120-6314		Yes
	Cord, Power, UK & Singapore #ARS (2w)	8120-6315		Yes
	Cord, Power, US #ABA (2w)	8120-6313		Yes
	Cover, LCD	F3398-60917		No
	Cover, LCD, 15-in	F3379-60913		No
	Module, CPU (Pentium 4, 1.4 GHz)	1822-0778	F3398-69204	No
	Module, CPU (Pentium 4, 1.5 GHz)	1822-0779	F3398-69203	No
	Module, CPU (Pentium 4, 1.6 GHz)	1822-0780	F3398-69202	No
	Module, CPU (Pentium 4, 1.7 GHz)	1822-0781	F3398-69201	No
	DVD SW, InterVideo, ver. 3.1.53.25	F3492-12001		Yes
	Kit, rubber feet/LCD screw covers (includes covers for all display sizes)	F3377-60967		Yes
	Label, Microsoft OS license label	N09-00319		
	Label, Pavilion xz275	F3392-60925		No
	Label, Pavilion xz295	F3392-60926		No
	Label, Pavilion zt1155	F3392-60913		No
	Label, Pavilion zt1172 (Europe Only)	F3392-60922		No
	Label, Pavilion zt1175	F3392-60914		No
	Label, Pavilion zt1182 (Europe Only)	F3392-60923		No
	Label, Pavilion zt1185	F3392-60915		No
	Label, Pavilion zt1192 (Europe Only)	F3392-60927		No
	Label, Pavilion zt1195	F3392-60916		No
	Overlay, serial label	7121-7525		No
	PCA, inverter 14/15-in	F3398-60916		No
	Port replicator assembly	F3494-60902		Yes

	Description	Part Number	Exchange Part Number	User-Repl.
	Kit, screws (includes all screws needed to replace all notebook FRUs)	F3398-60942		No
	Module, SDRAM, 128 MB DDR, PC266 SODIMM	F4694-60901		Yes
	Module, SDRAM, 256 MB DDR, PC266 SODIMM	F4695-60901		Yes
	Module, SDRAM, 512 MB DDR, PC266 SODIMM	F4696-60901		Yes
	Thermal pad, CPU	F3398-60934		No

REFSTYLESEQARABE

Reference Information

This chapter includes the following reference information:

- Password removal policy.
- Display quality statement.

Password Removal Policy

If the user forgets the system password, the user calls HP Customer Care to determine the proper password removal procedure. The user must provide proof of ownership, and the notebook must be operated during the procedure.

The password removal procedure is protected as HP Company Private information. There are a restricted number of locations that can perform password removal. The procedure may not be disclosed or distributed outside those locations.

Password removal is strictly controlled. Hewlett-Packard and authorized support providers must ensure with written evidence that the notebook being “cleansed” is actually in the possession of the notebook’s actual and current owner. This requires a sales receipt showing the notebook serial number and owner’s name, or a written statement from the owner attesting that he or she is the owner of the notebook. The statement can be a fax copy of the document. The fact that the notebook is in the hands of an HP representative on behalf of the customer is not evidence of ownership. In addition, HP will not remove the password of a notebook for any non-owner, even if it is requested by law enforcement agencies. If you receive such a request, you should notify management and HP Corporate Legal immediately. (These requests may require a court order prior to our participation.)

Further, the entity removing the password must log the name, serial number, and date of the removal, and file the written backup with the log. The log and backup are subject to standard record retention process and review.

The final issue relating to removal of passwords is that HP cannot provide information to users that would assist them in improperly removing a password and opening a notebook.

Hewlett-Packard Display Quality Statement

TFT display manufacturing is a highly precise but imperfect technology, and manufacturers cannot produce large displays that are cosmetically perfect. Most, if not all, TFT displays exhibit some level of cosmetic imperfection. These cosmetic imperfections may be visible to the customer under varying display conditions, and can appear as bright, dim, or dark spots. *This issue is common across all vendors supplying TFT displays in their products and is not specific to the HP notebook display.*

HP notebook TFT displays meet or exceed all HP standards for cosmetic quality of TFT displays. HP does not warrant that the displays will be free of cosmetic imperfections. *TFT displays can have a small number of cosmetic imperfections and still conform to HP's cosmetic quality specifications.*

Here are some guidelines for determining what action to take on customers' complaints of cosmetic imperfections in their TFT displays:

1. View the notebook under the customer's normal operating conditions.

This means that if the customer uses the notebook predominately in DOS, in Windows, or in some other application or combination of applications, you should make the determination under those same applications. Self test is not a normal operating condition and is not a sufficient tool for interpreting display quality.

2. Use the table below to determine whether the display should be considered for replacement. These are the only conditions in this guideline that may call for a replacement due to a defect in material or workmanship based on the HP Limited Warranty Statement.
3. If a display is considered for replacement, make sure the customer understands that cosmetic variations may also exist on the replacement display, and may require the customer to use a work-around to obscure the cosmetic imperfection.
4. Displays with cosmetic imperfections that do not conform to the above conditions and tests will not normally be considered for display replacement. The HP-responsible person working with the customer should identify work-arounds that are reasonable and appropriate for that customer. Customers who require a more perfect display solution should consider switching to a notebook with a DSTN display.

We expect that over time the industry will continue to produce displays with fewer inherent cosmetic imperfections, and we will adjust our HP guidelines as these improvements are implemented.

Table 5-1. TFT LCD Guidelines (14.1/15.0-in XGA)

Type of Imperfection	Imperfections Not Allowed
Electrical Imperfections: Bright dots (a) Dark dots (a)	<ul style="list-style-type: none"> • 7 or more single bright dots. • 7 or more single dark dots. • 9 or more total (bright and dark combined) defective dots. • Any occurrence of multiple defective dots within 15 mm.
Mechanical Imperfections: Discoloration Polarizer bubbles, dents (b)	<ul style="list-style-type: none"> • Any polarizer bubble, discoloration, or dent that is visible from at least 36 cm (14 in).
Definitions of imperfections: a A bright or dark dot is a subpixel (red, green, or blue dot) that is stuck on or off. b A polarizer dent or bubble is a light spot with a darker border that appears on a lighted display and does not change size. In contrast, a polarizer scratch is a light line that is visible on a darker background and does not change size.	

Service Notes and Obsolete Parts

Service notes containing important repair information for the notebook will be issued periodically as needed. These notes are available online at the Partnership web site—see page vi.

- 1. Product Information**
- 2. Removal and Replacement**
- 3. Troubleshooting and Diagnostics**
- 4. Replaceable Parts**
- 5. Reference Information**

English
Printed in Taiwan

1 2 3 4 5 6 7 8 9 10 11 12 |
* 98 99 00 01 02 03 *

