
HP OmniBook Docking System

User's Guide

Notice

This manual and any examples contained herein are provided “as is” and are subject to change without notice. Hewlett-Packard Company makes no warranty of any kind with regard to this manual, including, but not limited to, the implied warranties of merchantability and fitness for a particular purpose. Hewlett-Packard Co. shall not be liable for any errors or for incidental or consequential damages in connection with the furnishing, performance, or use of this manual or the examples herein.

Consumer transactions in Australia and the United Kingdom: The above disclaimers and limitations shall not apply to Consumer transactions in Australia and the United Kingdom and shall not affect the statutory rights of Consumers.

© Copyright Hewlett-Packard Company 1998. All rights reserved. Reproduction, adaptation, or translation of this manual is prohibited without prior written permission of Hewlett-Packard Company, except as allowed under the copyright laws.

The programs that control this product are copyrighted and all rights are reserved. Reproduction, adaptation, or translation of those programs without prior written permission of Hewlett-Packard Co. is also prohibited.

Portions of the programs that control this product may also be copyrighted by Microsoft Corporation, SystemSoft Corp., Crystal Semiconductor Corporation, Phoenix Technologies, Ltd., NeoMagic, Inc., and ATI Technologies Inc. See the individual programs for additional copyright notices.

Microsoft, MS, MS-DOS, and Windows are registered trademarks of Microsoft Corporation. Pentium and the Intel Inside logo are U.S. registered trademarks and MMX is a U.S. trademark of Intel Corporation.

For warranty information, see the *Support and Service* booklet.

Hewlett-Packard Company
Mobile Computing Division
19310 Pruneridge Ave.
Cupertino, CA 95014

HP Software Product License Agreement

Your HP OmniBook PC contains factory-installed software programs. Please read the Software License Agreement before proceeding.

Carefully read this License Agreement before proceeding to operate this equipment. Rights in the software are offered only on the condition that the customer agrees to all terms and conditions of the License Agreement. Proceeding to operate the equipment indicates your acceptance of these terms and conditions. If you do not agree with the terms of the License Agreement, you must now either remove the software from your hard disk drive and destroy the master disks, or return the complete computer and software for a full refund.

Proceeding with configuration signifies your acceptance of the License Terms.

Unless otherwise stated below, this HP Software Product License Agreement shall govern the use of all software that is provided to you, the customer, as part of the HP computer product. It shall supersede any non-HP software license terms that may be found online, or in any documentation or other materials contained in the computer product packaging.

Note: Operating System Software by Microsoft is licensed to you under the Microsoft End User License Agreement (EULA) contained in the Microsoft documentation.

The following License Terms govern the use of the software:

Use. Customer may use the software on any one computer. Customer may not network the software or otherwise use it on more than one computer. Customer may not reverse assemble or decompile the software unless authorized by law.

Copies and Adaptations. Customer may make copies or adaptations of the software (a) for archival purposes or (b) when copying or adaptation is an essential step in the use of the software with a computer so long as the copies and adaptations are used in no other manner.

Ownership. Customer agrees that he/she does not have any title or ownership of the software, other than ownership of the physical media. Customer acknowledges and agrees that the software is copyrighted and protected under the copyright laws. Customer acknowledges and agrees that the software may have been developed by a third party software supplier named in the copyright notices included with the software, who shall be authorized to hold the Customer responsible for any copyright infringement or violation of this Agreement.

Product Recovery CD-ROM. If your computer was shipped with a product recovery CD-ROM: (i) The product recovery CD-ROM and/or support utility software may only be used for restoring the hard disk drive of the HP computer with which the product recovery CD-ROM was originally provided. (ii) The use of any operating system

software by Microsoft contained in any such product recovery CD-ROM shall be governed by the Microsoft End User License Agreement (EULA).

Transfer of Rights in Software. Customer may transfer rights in the software to a third party only as part of the transfer of all rights and only if Customer obtains the prior agreement of the third party to be bound by the terms of this License Agreement. Upon such a transfer, Customer agrees that his/her rights in the software are terminated and that he/she will either destroy his/her copies and adaptations or deliver them to the third party.

Sublicensing and Distribution. Customer may not lease, sublicense the software or distribute copies or adaptations of the software to the public in physical media or by telecommunication without the prior written consent of Hewlett-Packard.

Termination. Hewlett-Packard may terminate this software license for failure to comply with any of these terms provided Hewlett-Packard has requested Customer to cure the failure and Customer has failed to do so within thirty (30) days of such notice.

Updates And Upgrades. Customer agrees that the software does not include updates and upgrades which may be available from Hewlett-Packard under a separate support agreement.

Export Clause. Customer agrees not to export or re-export the software or any copy or adaptation in violation of the U.S. Export Administration regulations or other applicable regulation.

U.S. Government Restricted Rights. Use, duplication, or disclosure by the U.S. Government is subject to restrictions as set forth in subparagraph (c) (1) (ii) of the Rights in Technical Data and Computer Software clause in DFARS 252.227-7013. Hewlett-Packard Company, 3000 Hanover Street, Palo Alto, CA 94304 U.S.A. Rights for non-DOD U.S. Government Departments and Agencies are as set forth in FAR 52.227-19(c) (1,2).

Contents

1	Using the Dock	1-7
	Docking System Features	1-9
	Understanding the Basics	1-11
	To set up the dock	1-12
	To dock the OmniBook	1-14
	To undock the OmniBook	1-16
	To manually undock the OmniBook	1-18
	To set a docking password	1-19
	To turn the OmniBook on and off	1-20
	To attach a security cable	1-21
	To create a docked hardware profile in Windows NT	1-23
	Making Connections	1-24
	To connect an external keyboard	1-25
	To enable an external Fn key	1-25
	To connect a PS/2 mouse	1-26
	To connect a serial mouse	1-26
	To connect a serial device	1-27
	To connect a SCSI device	1-27
	To connect a universal serial bus (USB) device	1-29
	To connect an external monitor	1-30
	To use the monitor stand with an external display	1-31
	To enable the built-in and external displays	1-31
	To connect a parallel device	1-32
	To insert a PC card	1-33
	To remove a PC Card	34
	To connect your audio equipment	36
2	Installing Accessories	1-37
	Using the Module Bay Adapter	1-39
	To install the module bay adapter	1-40
	To replace a plug-in module	1-44
	Installing PCI Boards	1-47
	Installing PC Devices	1-51
	To install the PC device	1-52
	Formatting a hard disk in the PC device bay	1-60

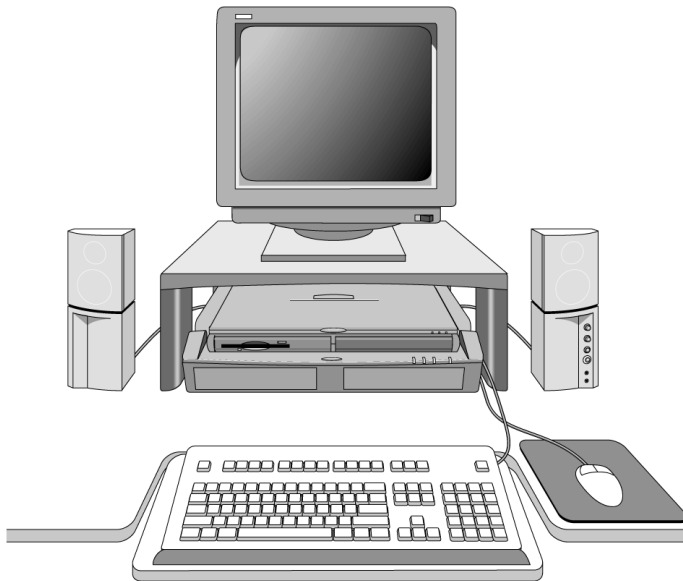
3 Troubleshooting	1-63
Solving Problems	1-65
4 Specifications and Regulatory Information	1-69
Specifications	1-71
Regulatory Information	1-72
U.S.A.	1-72
Canada	1-73
Japan	1-73
Europe	1-74

Using the Dock

Using the Dock

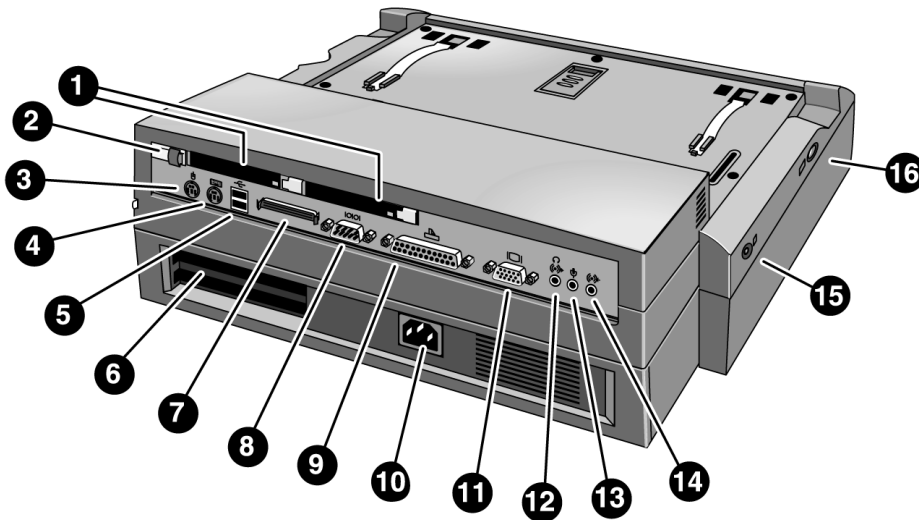
Congratulations! With the OmniBook docking system (referred to as dock in this manual), you can significantly increase the convenience of your OmniBook for desktop use. By making one connection—plugging your OmniBook into the dock—you can get easy access to these types of devices:

- ◆ Printer, external floppy drive, or other parallel device.
- ◆ Modem or other standard serial device.
- ◆ Universal serial bus (USB) devices.
- ◆ SCSI-2 and IDE devices.
- ◆ Type II and Type III CardBus devices
- ◆ Additional OmniBook plug-in modules.
- ◆ PCI accessory boards.
- ◆ PC expansion devices.
- ◆ External keyboard and external mouse.
- ◆ External monitor.
- ◆ Audio connections.



Docking System Features

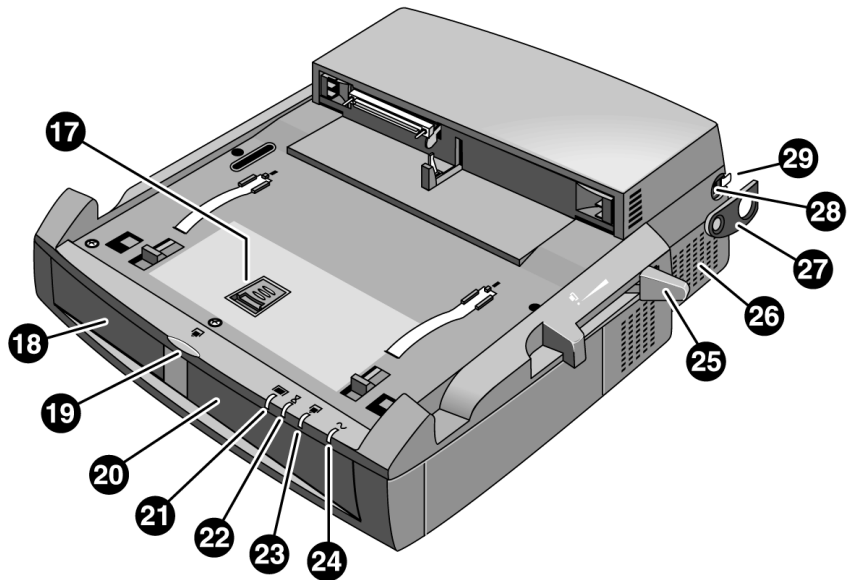
Dock rear-view



1. Two type II or type III PC card slots (CardBus enabled)
2. PC card security lock
3. Mouse port
4. Keyboard port
5. Two universal serial bus (USB) ports
6. PCI board slots
7. SCSI-2 port
8. Serial port
9. Parallel port
10. AC power connector
11. Monitor port
12. Headphones or speaker-out
13. Microphone-in
14. Audio line-in
15. System-off button
16. Power/Suspend button

Using the Dock
Docking System Features

Dock front-view



- 17. Tray release latch
- 18. PC device bay
- 19. Undock button
- 20. Plug-in module bay
- 21. Docked light
- 22. Wait light
- 23. Undocked light
- 24. AC power light
- 25. Release lever
- 26. PCI board door
- 27. PCI board lock
- 28. Kensington lock slot
- 29. Manual release tab

Understanding the Basics

Docking the OmniBook to the dock is just like simultaneously adding several devices to the OmniBook. Docking causes Windows 95 or Windows 98 to create a new hardware profile. The default hardware profile shipped with the OmniBook is an undocked profile.

Note

If you are using Windows NT on your system and your system does not have a docked hardware profile, you need to create a docked profile for your OmniBook. See “To create a docked hardware profile” on page 1- 23 for instructions.

This section shows you how to get your dock and OmniBook up and running quickly, including how to

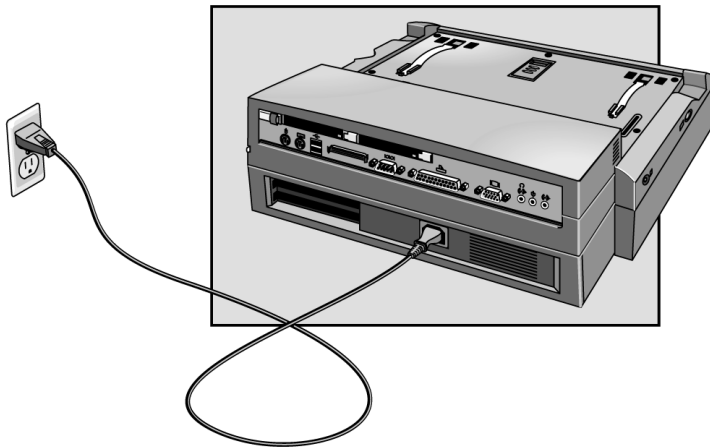
- Set up the dock.
- Dock the OmniBook.
- Undock the OmniBook.
- Turn the OmniBook on and off
- Attach a security cable.

To set up the dock

Important

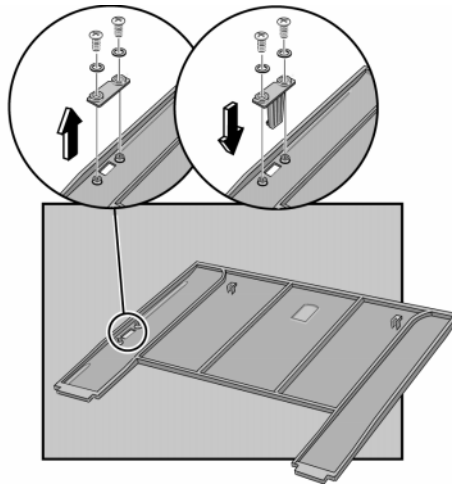
You may need to upgrade your OmniBook's BIOS before you can use your OmniBook with the docking system. See the upgrade instructions provided with this dock or the readme file on the BIOS upgrade CD-ROM provided with this dock.

1. Plug the power cord into the dock, then plug the power cord into the ac outlet.

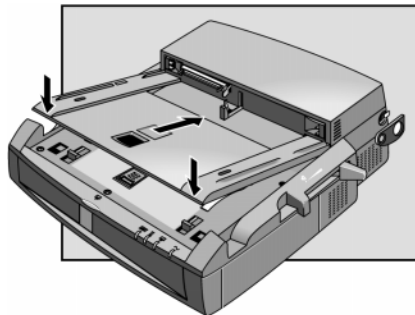


2. Select the appropriate dock tray for your OmniBook. Match the letter on the tray with the letter for your OmniBook listed on the dock label next to the tray release latch.

3. Attach the security post to the tray (optional). The security post prevents removal of the OmniBook PC cards. The security post on your tray may be in a different location from that shown below.



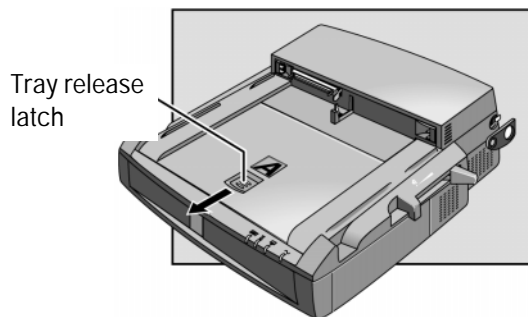
4. Insert the tabs on the back of the tray into the slots in the dock and press down on the front edge of the tray to lock it in place.



5. Connect your external devices to the dock. See “Making Connections” on page 1-24.

To remove a tray

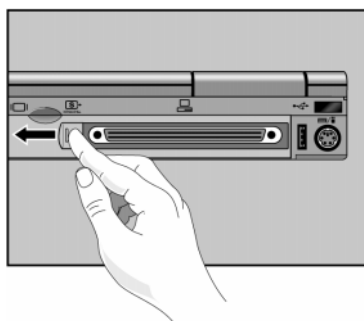
To remove a tray, slide the tray release latch forward until the tray pops up.



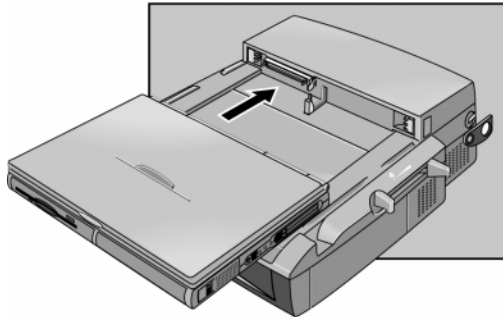
To dock the OmniBook

1. Place the dock on a flat surface.
2. Slide the OmniBook's docking door to the left.

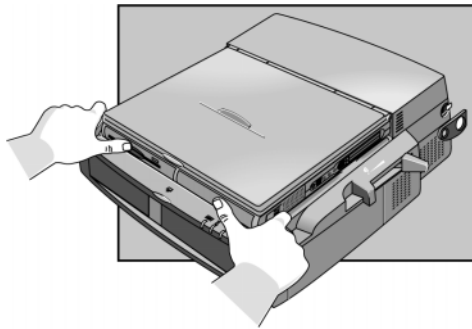
Some OmniBook models, including the OmniBook 4100 have a rear port door that opens automatically when you install it in the dock. Refer to the Reference Guide for your OmniBook to see if your OmniBook has this feature.



3. Place the OmniBook on the dock tray, with the back of the computer facing the dock's connector.



4. Position your fingers on the platform grips as shown below. Use your thumbs to push the computer firmly toward the dock until the OmniBook slides into place. You should hear a click, indicating that the OmniBook is locked to the dock.



When the OmniBook is properly inserted, the amber wait light **3** turns on.
When the OmniBook is ready for use, the green docked light **2** turns on.

Note

If the OmniBook is in suspend or hibernate mode or if the OmniBook is turned off, the lights will not change until the OmniBook is turned on.

To undock the OmniBook

Note

If you have installed the tray security post, make sure that no objects (such as a phone jack or network connector) are protruding from the OmniBook PC card slots.

1. If there is no ac power connected to the dock, turn on the OmniBook to provide power for undocking.

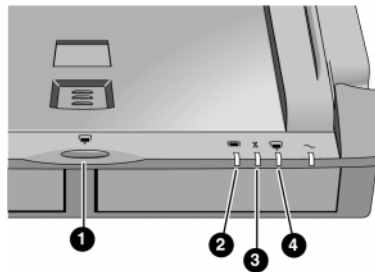
The dock will not operate in this power mode.

2. Exit any applications that are using devices that are connected through the dock (network, USB, and PCMCIA devices.)
3. Press the undock button **1** on the dock.

– or –


If you are using Windows 95 or Windows 98, click Start, Eject PC.

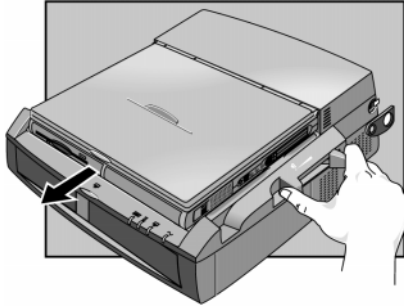
The amber wait light **3** then turns on.



1. Undock button
2. Docked light
3. Wait light
4. Undocked light

4. If you have enabled a docking password, you will be prompted for your password. You must enter it to undock the OmniBook.

5. When you hear two beeps and the undock light  flashes, pull the release lever on the right side of the dock toward the front to eject the OmniBook.
You have 30 seconds to pull the release lever. After 30 seconds, the dock relocks the OmniBook.



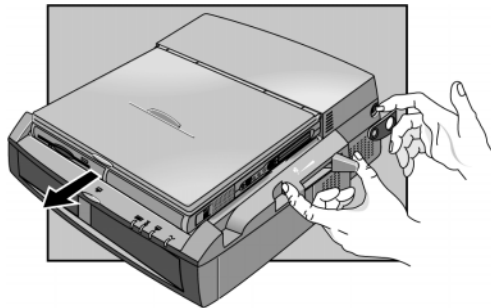
To manually undock the OmniBook

If you cannot undock the OmniBook using the undock button (for example, you have no ac power or battery power), you can manually undock the OmniBook. Manual undocking overrides password protection.

CAUTION

Be sure to shut down your OmniBook Before manually undocking it. Manually undocking your OmniBook while the unit is turned on. may cause your system to hang.

1. Save your work and turn off your OmniBook. Be sure to use the shut down option from the Start menu.
2. If you are using a Kensington MicroSaver lock to secure your dock, remove the lock.
3. Pull out and hold the manual release tab on the right rear corner of the dock while pulling the release lever toward the front to eject the OmniBook.



To set a docking password

Note

An administrative password must be set before you can set a user password. Refer to the Reference Guide provided with your OmniBook for detailed information about setting administrative passwords.

Password security protects access to your OmniBook. If you use password security, you must enter the password at certain times (defined in Password Options). This is how to specify a docking password.

1. Close all applications, then shut down Windows and restart the OmniBook.
2. When you see the HP logo, press F2 to enter the BIOS Setup utility.
3. Use the right or left arrow keys select the Security menu, then use the up or down arrow key to select Undock password.

Note: The boot password must be enabled before you can select Undock.

4. Press F5 or F6 to select Undock: Enabled.
5. Select Set User Password and type your password.
6. Save and exit Setup.

Refer to your OmniBook Reference Guide for more detailed information on setting passwords.

To turn the OmniBook on and off

To turn on the OmniBook:

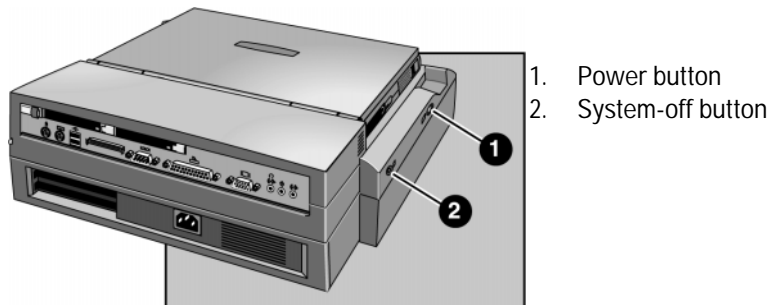
- Press the power button **1** on the left side of the dock.

To turn off the OmniBook without undocking.

1. Save your work and close open applications .
2. Properly shut down your operating system.
3. Press the system-off **2** button on the left side of the dock.

To Suspend the OmniBook without undocking.

1. Close open applications and save your work.
2. Press the power button **1** on the left side of the dock.



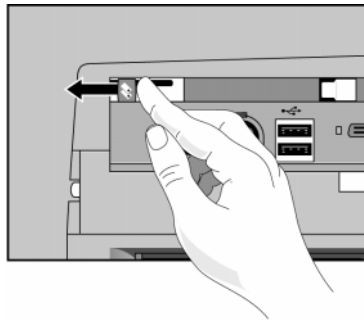
To attach a security cable

Your dock has a built-in security port that allows you to secure the dock with a cable. A Kensington MicroSaver lock system or compatible lock system works with this port and is available at many computer stores. Your dock must be secured with a Kensington lock system for the other physical security features of your docking system, such as the PC Card lock, to work.

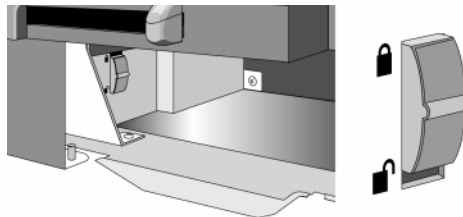
NOTE

To prevent unauthorized undocking, set a docking password. See “To set a docking password” on page 1-19.

1. To secure PC cards installed in the dock, make sure the PC card eject buttons are recessed and slide the PC card security lever to the locked position.

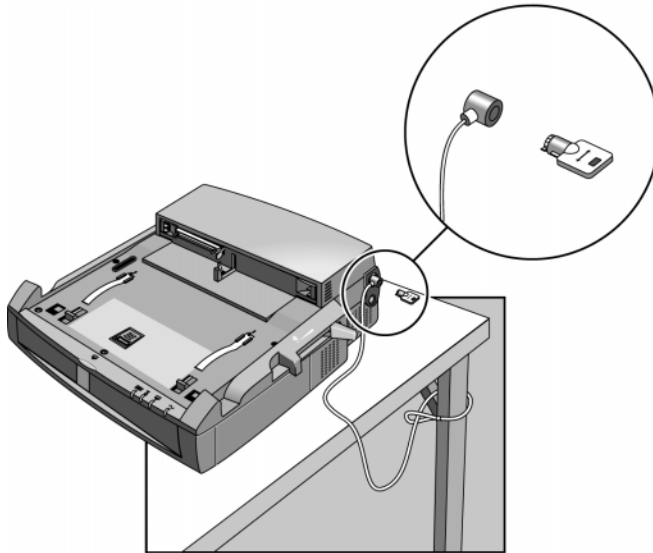


2. To secure a plug-in module installed in the dock, remove the PCI board door and slide the module security latch to the locked position.



Understanding the Basics

3. Reinstall the PCI board door and align the hole in the PCI board lock with the dock's Kensington lock slot.
4. Wrap the cable around a secure stationary object, such as a table leg, so that it cannot be removed when locked.
5. Loop the cable to create a slip knot around the stationary object.
6. Insert the Kensington lock through the hole in the PCI board lock into the dock's Kensington lock slot and release the key. Store the key in a safe place away from the OmniBook.



To create a docked hardware profile in Windows NT

When Windows NT 4.0 was installed on your system, a hardware profile was created. If you do not already have a docked profile, you can copy this original profile and customize it for your docked hardware profile.

1. Undock your OmniBook.
2. Double-click the System option in the Control Panel.
3. Click the Hardware Profiles tab.
4. Click the original configuration profile, then click Copy, and enter a name for your docked configuration. Then click OK.
5. Click Properties on the Hardware Profiles tabs.
6. Check This is a portable computer on the General tab and click The computer is docked.
7. Click OK to exit the Properties menu, then again to exit Hardware Profiles setup.
8. Shut down your OmniBook and dock it.
9. Reboot your OmniBook and select the docked profile from the list that appears at startup.
10. Click Settings, Control Panel, Devices and make sure all devices you need in the docked configuration are enabled.

You may need to install drivers for additional devices used with the dock. Refer to the documentation provided with these devices for information.

Note

Refer to your Microsoft Windows NT documentation for more information about configuring hardware profiles and installing drivers.

Making Connections

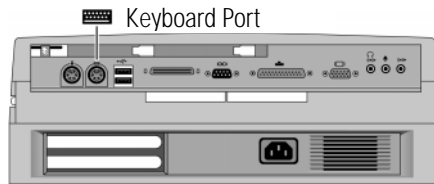
When making connections, notice that the orientation of the ports on the dock are the reverse of the OmniBook. Turn the connector cables over when switching from the OmniBook to the dock. This section describes how to connect devices to the dock, including the following:

- External keyboard.
- External PS/2 or serial mouse.
- Standard serial device (9-pin).
- Two universal serial bus (USB) devices.
- SCSI-2 device.
- External display.
- Printer or other parallel device (25-pin).
- External microphone or audio source.
- Headphones or speakers.
- PC Cards.

To connect an external keyboard

You can use both the built-in OmniBook keyboard and an external keyboard while docked.

1. Attach the keyboard cable to the keyboard port.
2. Dock the OmniBook in the dock.



If you connect a keyboard after docking the OmniBook with power on, the keyboard may not be recognized. If this happens, restart your OmniBook to enable the system to recognize the keyboard.

To enable an external Fn key

If you are using a dock with an external keyboard, substitute the keystrokes CTRL+ALT for Fn. If necessary, enable the external Fn key from the BIOS Setup utility. This is enabled by default.

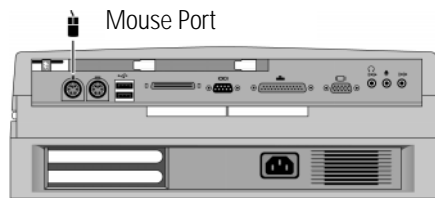
See the OmniBook's Reference Guide for a complete description of the BIOS Setup utility.

1. Close all applications, then shut down Windows and reboot the OmniBook. If necessary, you can press CTRL+ALT+DEL to reboot.
2. When you see the HP OmniBook logo displayed, press <F2> to enter Setup.
3. Use the right arrow key to highlight the System Devices menu.
4. Make sure External Fn Key is enabled.
5. Press F10 to save settings and exit Setup.

To connect a PS/2 mouse

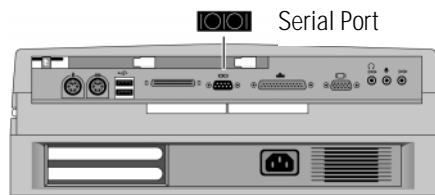
The OmniBook has a PS/2 mouse driver installed. When you dock, the OmniBook automatically detects and sets up the mouse

1. Attach the mouse cable to the mouse port.
2. Dock the OmniBook in the dock.



To connect a serial mouse

1. Attach the serial mouse cable to the serial port.

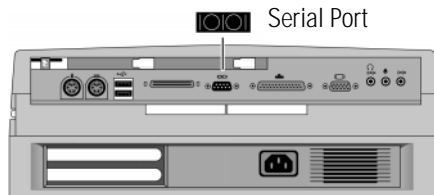


2. Dock the OmniBook in the dock.
3. Using the touch pad or pointing stick, click Start, Settings, Control Panel.
4. Select Mouse, then click General.
5. Click Change, Show All Devices, then select Standard Mouse Types.
6. Select Standard Serial Mouse and click OK.
7. Click OK, Close, then click Yes when prompted to restart.

To connect a serial device

Use standard serial cables and adapters available at computer dealers and electronic supply stores to connect serial devices.

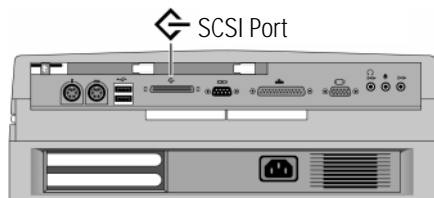
1. Attach the serial cable to the serial port.
2. Dock the OmniBook in the dock.
3. If necessary, install your serial device driver. *See your Windows or device manual for instructions.*



The serial port is COM1 by default.

To connect a SCSI device

The SCSI port on the dock has a compact SCSI connector (HD50F) that lets you daisy chain external SCSI devices to your dock. If your device came with a SCSI cable that is not compatible with the Fast SCSI-2 HD50F connector, compatible cables and adapters are available at computer dealers and electronic supply stores.



Before connecting a SCSI device

Before connecting a SCSI device to your dock, assign an unused SCSI address to the device. The dock supports 8-bit (narrow) SCSI addresses from 0 to 6. SCSI address 7 is reserved for the integrated SCSI controller. Both the SCSI port on the rear of the dock and the PC device bay SCSI cable are on a single SCSI bus. All SCSI devices must have a unique address. Refer to the installation guide provided with the device for information on selecting a SCSI address.

Some SCSI devices may have termination resistors that must be removed or disabled before connecting to the dock. Refer to the device's installation guide for details. When using external SCSI devices, the last device on the SCSI bus must be terminated. All other external SCSI devices must not be terminated.

Note

Some SCSI hard drives have delayed spinup. The SCSI address determines the length of the delay. Drives with addresses 0 and 1 spin up immediately. For drives with addresses 2 through 6, the delay is the address times the delay interval.

To connect a SCSI device

1. Undock the OmniBook, if docked.
2. Attach the SCSI cable to the device and to the dock.
3. Connect the device to power and turn it on.
4. Dock the OmniBook in the dock.
5. Install your SCSI device driver. *See your Windows or device manual for instructions.*

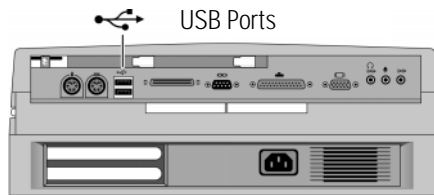
To connect a universal serial bus (USB) device

Note

Windows NT 4.0 does not support universal serial bus (USB) devices.

Universal serial bus (USB) provides a bidirectional serial interface for adding peripheral devices such as game controllers, serial and parallel ports, and scanners on a single bus. The OmniBook's dock provides two USB ports.

- Attach the USB cable to either the upper or lower USB port.

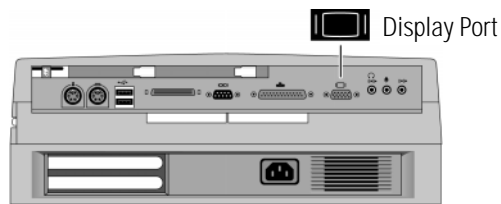


Refer to your USB device manual for instructions. You may need to install drivers for your USB device.

To connect an external monitor

Use this procedure to connect a standard VGA, SVGA, XGA, or (for some OmniBooks) SXGA external monitor to your OmniBook.

1. Attach the display cable to the display port.
2. Dock the OmniBook in the dock. The built-in display normally turns off. If you want to run the built-in display and an external display simultaneously, see “To enable the built-in and external displays” on page 1-31 for instructions.



To use the monitor stand with an external display

A monitor stand is supplied with your dock. It can support a weight of 36 kg (80 pounds.), up to 21-inch monitors. When setting up the monitor stand, be sure that the wide edge faces forward, as shown below.



To enable the built-in and external displays

- For a temporary change, press Fn+F5 (CTRL + ALT + F5 if using an external keyboard) to cycle through the display options (Internal, External, Both).
-or-
1. For a permanent change, close all applications, then shut down Windows and reboot the OmniBook.
 2. When you see the HP OmniBook logo displayed, press <F2> to enter Setup.
 3. From the Main menu, use the down arrow to highlight Video Display Device.
 4. Press ENTER to view choices.
 5. Select Auto (automatically detects external monitor) or Both.
 6. Press F10 to save settings and exit Setup.

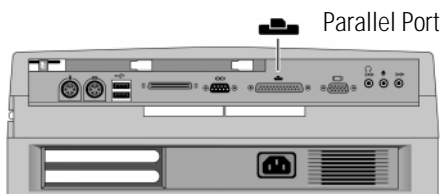
To connect a parallel device

Use standard parallel cables and adapters available at computer dealers and electronic supply stores to connect parallel devices.

Hint

The floppy drive provided with some OmniBook models can be connected externally through the parallel port using an optional floppy/parallel cable.

1. Attach the parallel cable to the parallel port.
2. Dock the OmniBook PC in the dock.
3. If necessary, install your parallel device driver.
See your Windows or device manual for instructions.



The dock's 25-pin parallel port is a standard enhanced (EPP/ECP) parallel port.

To insert a PC card

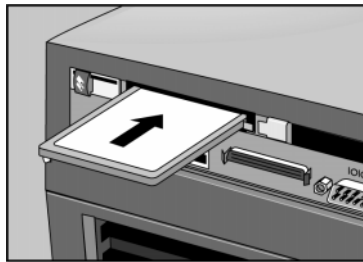
CAUTION

Do not install Card Services or Socket Services software if it comes with your PC card. The OmniBook already includes Card Services and Socket Services, which automatically detect and set up PC Cards you install in the two card slots in the dock. Different versions of this software will disrupt this service.

Never remove a plug-in card while an OmniBook PC card drive is actively reading or writing data. Wait until the PC card drive stops reading or writing. Otherwise, you could lose data or the OmniBook could stop responding.

The OmniBook automatically detects and sets up a PC Card when you insert it in a PC Card slot. See the card's instructions for additional information.

1. Hold the card with its face up and its connector holes toward the card slot.
2. Slide the PC Card into the slot until it will not go any further.



When the Omnibook recognizes the card and configures it, the OmniBook beeps twice (Windows 95 and Windows 98 only).

Note

You can lock the cards in the dock using a Kensington lock. See “To attach a security cable” on page 1-21.

To remove a PC Card

CAUTION

Never remove an I/O card while an application is open that is set up to use that card. Exit the application first. If you remove the card, the application (or the OmniBook) might behave unpredictably or stop responding until you restart the OmniBook.

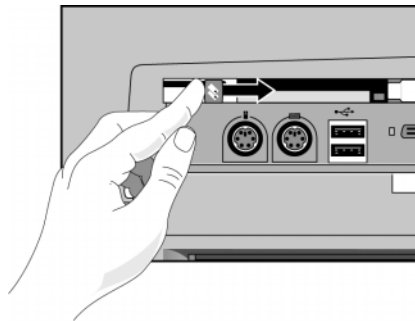
Never insert or remove a plug-in card while the PC card drive is actively reading or writing data. Wait until the PC card drive is done. Otherwise, you could lose data or the OmniBook could stop responding.

1. If you are using Windows 95, click the PC Card indicator in the taskbar, then click Stop.

If you are using Window NT, shut down your OmniBook.

This protects your data and avoids unexpected problems.

2. Unlock the card slots on the rear of the dock. If you are using a Kensington MicroSaver lock to secure your dock, you must remove the lock first.



3. Press the ejector button once to pop it out, then press it again to eject the PC card. Then pull out the card.

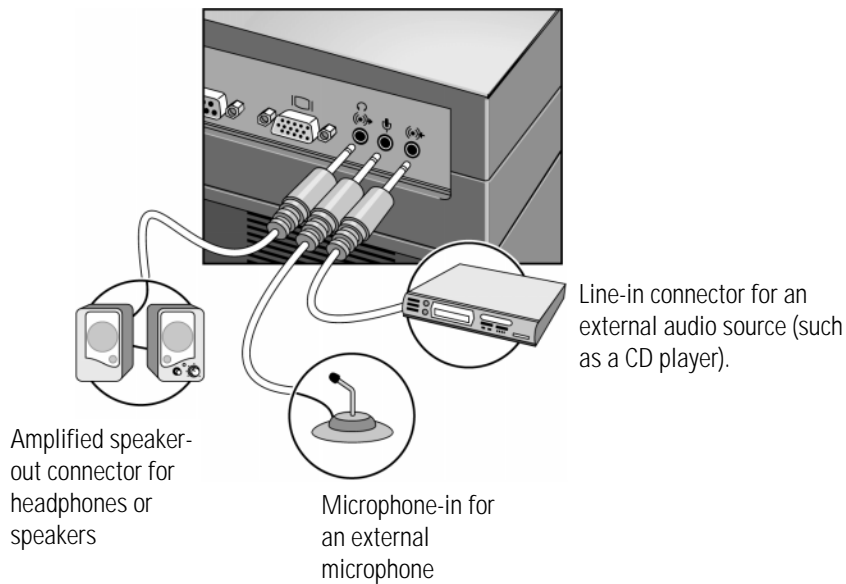


To connect your audio equipment

Note

If you connect external speakers, the internal OmniBook speakers are automatically turned off. If you connect an external microphone, the internal microphone is automatically turned off.

If you connect external speakers or microphone to the OmniBook, any speakers or microphone attached to the dock are automatically turned off.



Installing Accessories

Installing Accessories

This chapter provides instructions on how to

- ◆ Install and use the module bay adapter.
- ◆ Install PCI accessory boards in the 2 PCI half-length slots.
- ◆ Install SCSI and IDE devices in the 5.25-inch PC expansion device bay.
- ◆ Format hard disk drives installed in the PC expansion bay.

Hewlett-Packard offers a wide selection of accessories for OmniBooks and the docking system. For information on accessories, see the HP OmniBook website at www.hp.com/omnibook.

Using the Module Bay Adapter

The optional module bay adapter lets you use OmniBook plug-in IDE modules such as CD-ROM drives, LS-120 drives, or DVD drives with your dock. This section describes how to:

- Install the module adapter in the plug-in module bay.
- Install and remove plug-in modules.

There is a module adapter for each OmniBook model supported by the dock. The module bay adapter must be purchased separately. To use the plug-in modules for your OmniBook, install the module adapter for that OmniBook.

For information on module bay adapters, see your reseller or the HP OmniBook website at www.hp.com/omnibook. For more information on plug-in modules, refer to the manual that accompanied the plug-in modules, the OmniBook Reference Guide, or the HP OmniBook website.

To install the module bay adapter

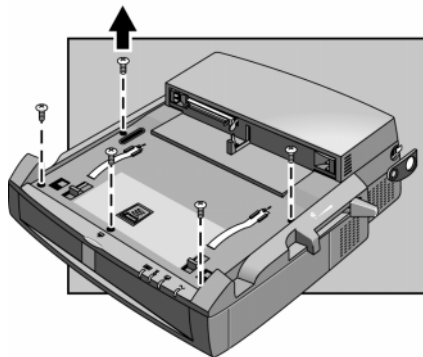
WARNING

To avoid risk of electrical shock, remove the power cord from the power outlet before removing the top cover of the dock. Also remove any network connections, and disconnect any external devices. Always replace the top cover of the dock before turning the dock on again.

Important

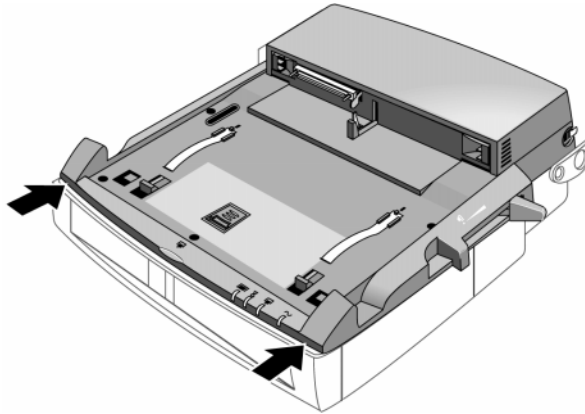
You will need a medium-sized Phillips screwdriver to install your module adapter.

1. Undock the OmniBook.
2. Disconnect all cables connected to the rear of the dock.
3. Disconnect the power cord from the dock.
4. Remove the Kensington lock, if attached.
5. Remove the dock tray, if installed.
6. Remove the five screws securing the top cover to the base.

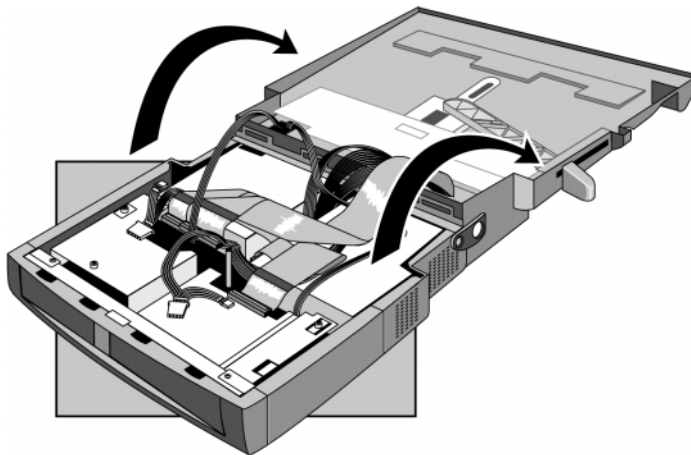


7. Slide the top cover toward the back of the dock about 1 cm (1/2 inch).

CAUTION: Lifting the top cover without sliding it back will damage the dock.

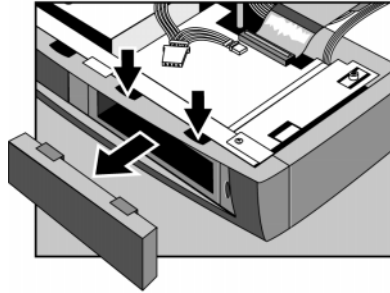


8. Fold the top cover back until it lies flat on the work surface. Be careful not to pull any cable connectors loose.

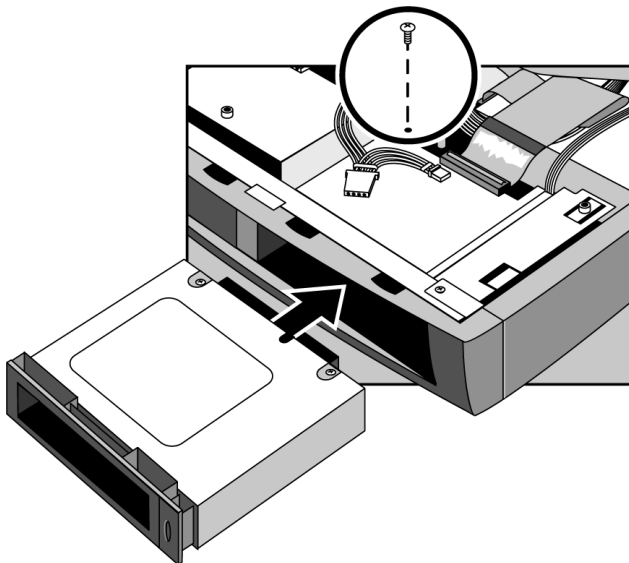


Using the Module Bay Adapter

9. Remove the cover plate from the module bay slot by pressing down on the two tabs and pushing it out..

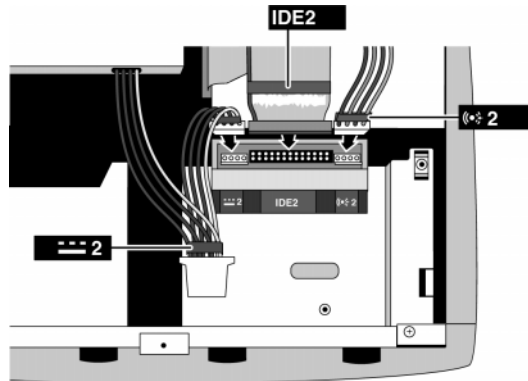


10. Remove and save the locking screw from the module bay housing.
11. Insert the module adapter for your OmniBook plug-in modules into the module bay until it locks in place.

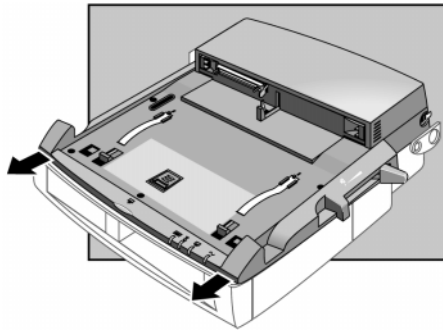


12. Re-install the locking screw in the hole in the top of the module bay housing to secure the module adapter in the bay. This screw prevents removal of the module adapter from the dock.

13. Connect IDE cable 2, audio cable 2, and power cable 2 to the connectors protruding from the back of the module bay housing.

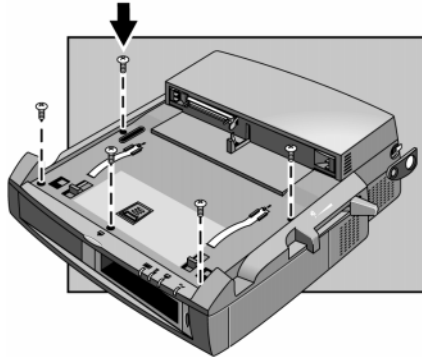


14. Carefully place the top cover of the dock onto the base of the dock about 1 cm (1/2 inch) back from the front of the base and slide the top cover forward until the five screw holes are properly aligned.



Using the Module Bay Adapter

15. Reinstall the five screws you removed previously.



You have completed installation of the module adapter.

To replace a plug-in module

Important

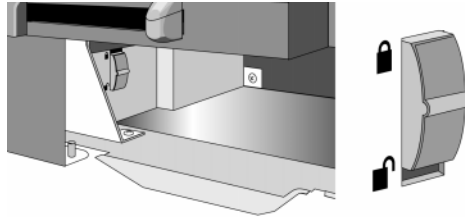
Install only IDE devices such as a CD-ROM drive, LS-120 drive, or DVD drive in the module bay. The module bay does not support non-IDE devices such as floppy disk drives or batteries. If you install a combination module with both an IDE device and floppy disk drive (for example a combined CD-ROM/floppy drive module), the floppy disk drive will not work.

If you are inserting a CD-ROM drive, LS-120 drive, or DVD drive, shut down the OmniBook before removing or installing the module. This is required even if you have optional Tioman “hot-swap” software installed on your OmniBook.

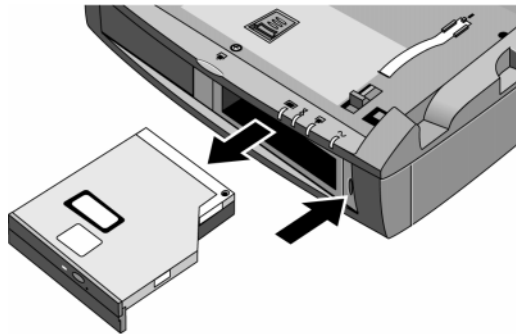
To remove a plug-in module

1. From the Start menu, shut down the OmniBook,
-or-
undock the OmniBook.

2. If the plug-in module is secured, remove the PCI board door and slide the module security latch to the unlocked position, then reinstall the PCI board door.



3. Press the eject button and remove the plug-in module from the dock.

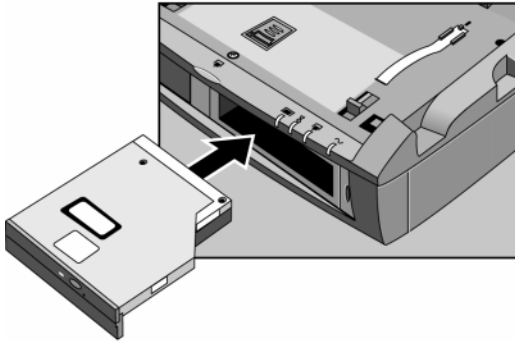


To install a plug-in module

1. From the Start menu, shut down the OmniBook,
-or-
undock the OmniBook.

Using the Module Bay Adapter

2. Slide the plug-in module into the module bay until it clicks into place.



3. To secure the plug-in module (optional), remove the PCI board door and slide the module security latch to the locked position, then reinstall the PCI board door.

For more information on using plug-in modules, refer to the OmniBook Reference Guide or the accessory documentation that accompanied the modules.

Note

To prevent unauthorized removal of the plug-in module, you must secure the dock. Your dock has a built-in security port that allows you to secure the dock with a cable. A Kensington MicroSaver lock system or compatible lock system works with this port and is available at many computer stores. See “To attach a security cable” on page 1-21 for details.

Installing PCI Boards

The dock has two PCI half-length slots for adding PCI half-length accessory boards to your dock. You may install any supported PCI half-length board in either of the two PCI slots in the dock. ISA and E-ISA boards are not supported by the dock.

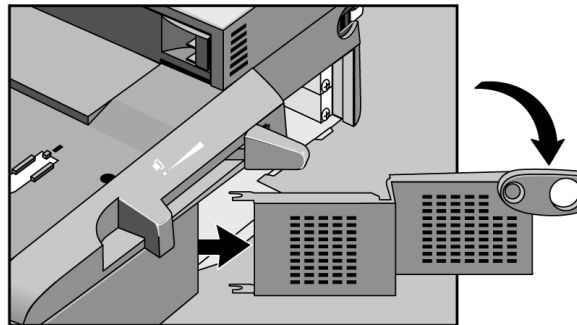
To install a PCI accessory board

Important

Refer to the installation instructions that came with your PCI accessory board for any board-specific instructions for configuring the board.

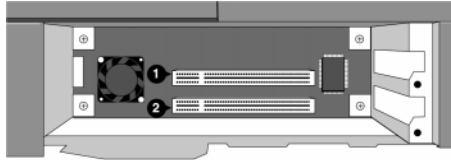
If you have difficulty accessing the PCI board slots through the PCI access door, you can remove the top cover of the dock for easier access (optional). See “Using the alternate installation procedure” on page 1-49.

1. Turn off the OmniBook.
2. Disconnect the power cord from the dock.
3. Remove the PCI access door on the right side of the dock.

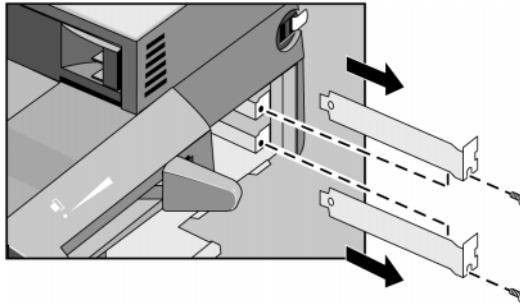


Installing PCI Boards

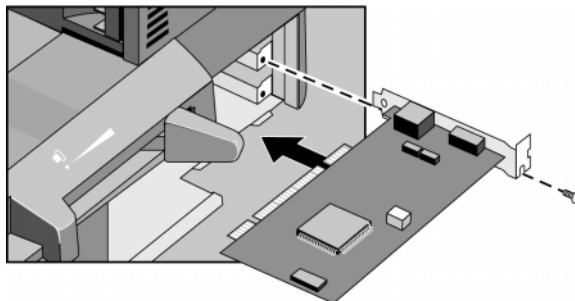
4. Locate the accessory board slot you want to use.



5. Unscrew and remove the slot cover for the slot you are using.



6. Hold the board horizontally with the connector towards the socket and align the board's connector with the slot's socket.



7. Slide the board into the slot and firmly press the board into the socket. Do not bend the board. Make sure that the board slides into the slot completely and does not touch components on other boards.
8. Secure the board using the screw that secured the slot cover.
9. Replace the PCI access door.

10. Connect any necessary external cables to the PCI board.
11. Reboot your Omnibook.

You have completed installation of a PCI board.

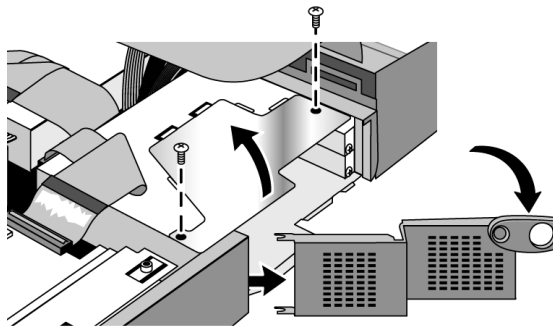
Using the alternate installation procedure

If you have difficulty accessing the PCI board slots through the PCI access door, you can remove the top cover of the dock for easier access (optional).

WARNING

To avoid risk of electrical shock, remove the power cord from the power outlet before removing the top cover of the dock. Also remove any network connections, and disconnect any external devices. Always replace the top cover of the dock before turning the dock on again.

1. Remove the top cover of the dock following steps 1 through 8 of “To install the module bay adapter” on page 1-40.
2. Remove the two screws securing the hinged section of the PCI board housing
3. Open the hinged section.



4. Do steps 1 through 8 of the previous procedure, “To install a PCI accessory board”.
5. Close the hinged section of the PCI board housing and re-install the 2 screws.

Installing PCI Boards

6. Replace the top cover of the dock following steps 14 and 15 of “To install the module bay adapter” on page 1-40.
7. Replace the PCI access door.
8. Connect any necessary external cables to the PCI board.
9. Reboot your Omnibook.

Installing PC Devices

You can install either a 5 ¼ inch PC device or a 3 ½ inch device such as a hard disk drive in the PC device bay. The bay supports both IDE and SCSI-2 devices.

Refer to the instructions that came with your PC device for any device-specific installation instructions. .

Before Installing an IDE device

Refer to the IDE device's manual to see if you must set jumpers or if there is a special installation procedure to follow. If you have the option of selecting Master, Slave, or Cable Select setting, select Master for the IDE device. .

Before installing a SCSI device

Before installing a SCSI device in your dock, assign an unused SCSI address to the device. The dock supports 8-bit (narrow) SCSI addresses with values from 0 to 6. SCSI address 7 is reserved for the integrated SCSI controller. . Both the SCSI port on the rear of the dock and the PC device bay SCSI cable are on a single SCSI bus. All SCSI devices must have a unique address. Refer to the installation guide provided with the device for information on selecting a SCSI address. .

Important

SCSI devices installed in the PC device bay must be terminated. Refer to the device's installation guide for details.

To install the PC device

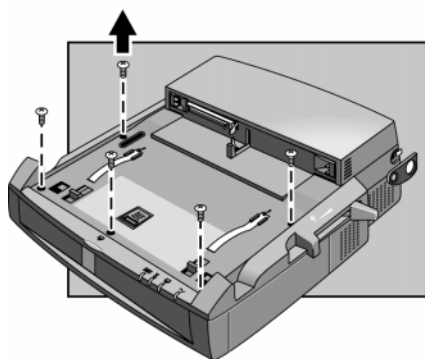
W A R N I N G

To avoid risk of electrical shock, remove the power cord from the power outlet before removing the top cover of the dock. Also remove any network connections, and disconnect any external devices. Always replace the top cover of the dock before turning the dock on again.

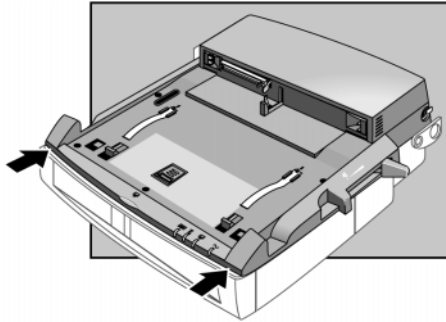
Important

You will need a medium-sized Phillips screwdriver to install your device.

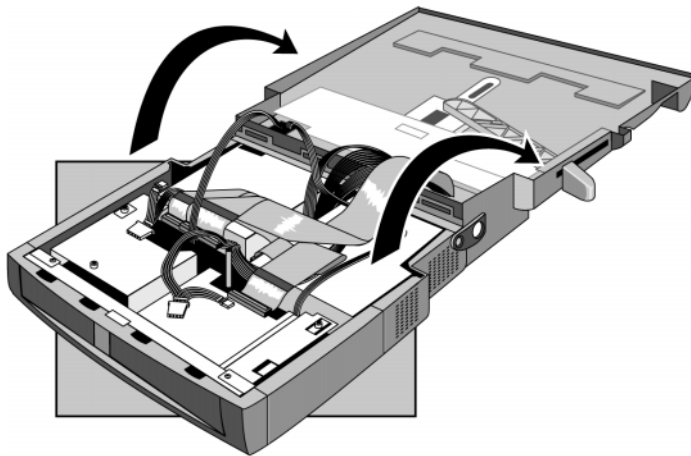
1. Undock the OmniBook.
2. Disconnect all cables connected to the rear of the dock.
3. Disconnect the power cord from the dock.
4. Remove the Kensington lock, if attached.
5. Remove the dock tray, if installed.
6. Remove the five screws securing the top of the dock to the base.



7. Slide the top toward the back of the dock about 1 cm (1/2 inch).
CAUTION: Lifting the top cover without sliding it back will damage the dock.

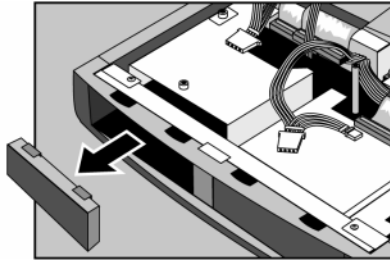


8. Fold the top back until it lies flat on the work surface. Be careful not to pull any cable connectors loose.

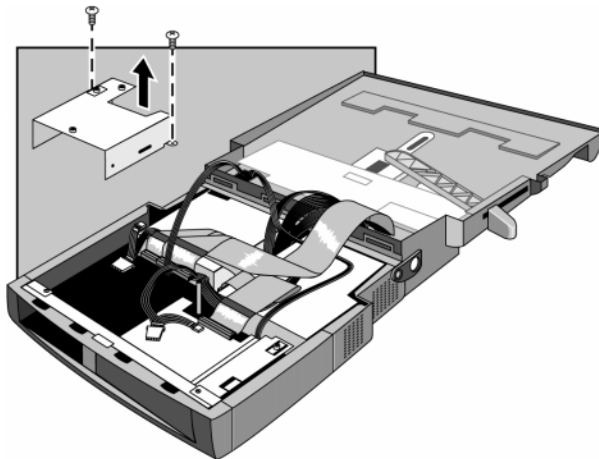


Installing Accessories
Installing PC Devices

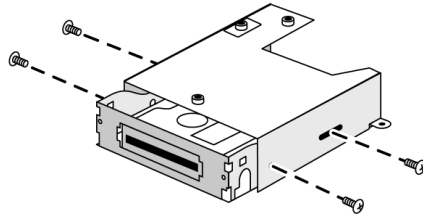
9. Remove the cover plate from the expansion module bay.



10. Remove the two screws securing the expansion module housing and remove the housing from the dock.

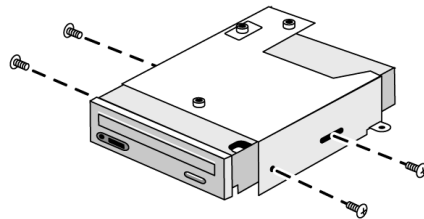


11. Remove the 3 ½ inch device mounting kit from the housing.



12. To install the device in the housing:

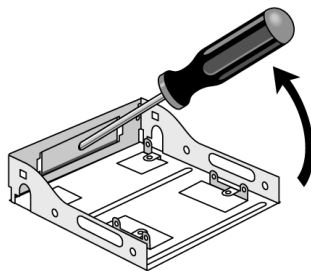
For a 5 ¼ inch device, install the device in the bay and secure the expansion device in the housing using the four screws included with the device.



– or –

For a 3 ½ inch device,

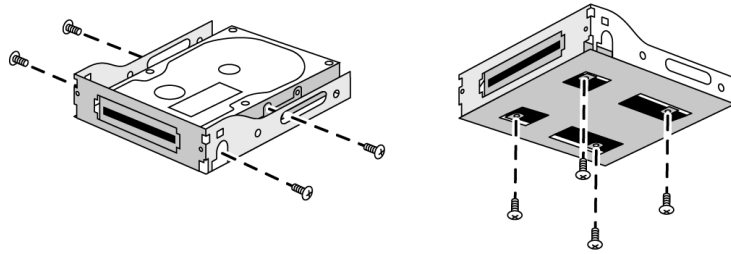
- a. If you are installing a device requiring media access, such as a zip drive, break away the front panel in the mounting kit.



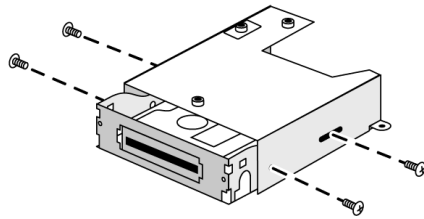
Installing Accessories

Installing PC Devices

b. Attach the device in the bay to the mounting kit. The four mounting screws may be on either the sides or bottom, depending on the device you are installing.

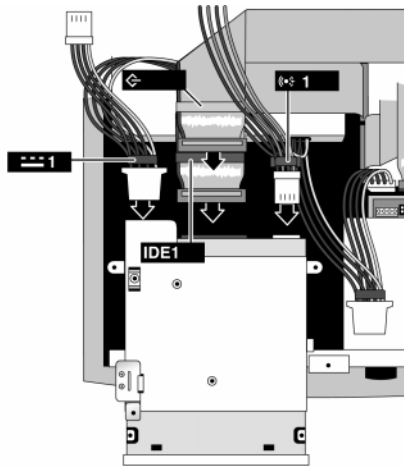


c. Install the mounted device in the housing.



13. Connect power cable 1 to the device, then connect either IDE cable 1 or the SCSI cable, depending on the type of module. The cables are labeled for easy identification.

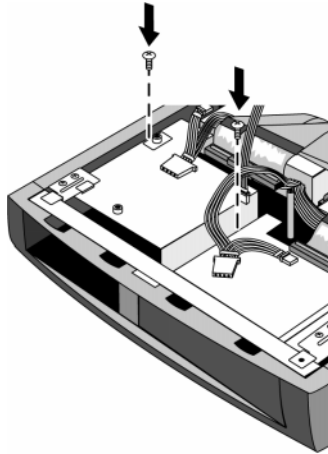
Connect audio cable 1 to the module (if needed). Both the power cable and audio and power cables have two connectors. Select the connectors that matches your PC device.



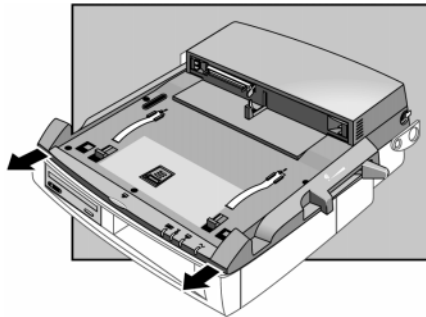
14. Insert the module slightly through the opening in the front of the dock (from inside the dock) and lay it flat in the dock, then slide the unit back until the tabs on the housing are secured by the retainer on the bottom of the dock and the screw holes are properly aligned.

Installing Accessories
Installing PC Devices

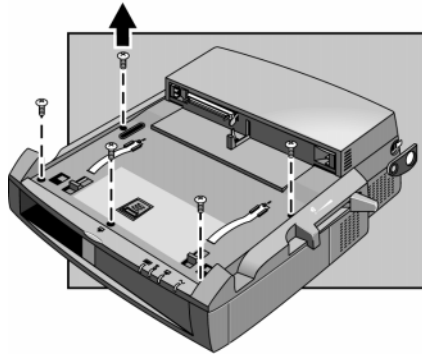
15. Secure the housing with the two screws you previously removed.



16. Carefully place the top of the dock onto the base of the unit about 1 cm (1/2 inch) back and slide the top forward until the five screw holes are properly aligned.



17. Install the five screws you removed previously.



You have completed installation of the PC expansion device.

Formatting a hard disk in the PC device bay

After installing a new hard disk in the PC device bay, you will need to format the disk. Follow the instructions below for your operating system. .

Formatting a hard disk in Windows 95 and Windows 98

Note

The following procedure describes how to format a hard disk drive with a single primary DOS partition. If you wish to format your disk differently, select the appropriate options in the FDISK utility.

1. Dock your OmniBook and start up your system in Windows 95.
2. Right-click on My Computer, then left click on Properties.
3. Click the Device Manager Tab.
4. Find the entry for Disk Drives and click the plus sign (+) to the left of the entry.
5. Find the entry for your hard drive. The listing for "Generic IDE DISK TYPE40" is the OmniBook's built in Hard Drive and "Generic NEC Floppy Disk" is the floppy drive. A new entry should be listed, corresponding to your drive.
6. Click the entry for the new hard drive in the PC device bay and click the Properties button at the bottom of the window.
7. Click the settings tab and click on Int 13 unit.
8. Click OK to close Drive Properties, then click OK to close System Properties.
9. Click Yes when prompted to restart.
10. After Windows restarts, click Start, Programs, MS-DOS Prompt.
11. Type FDISK and press ENTER.
12. When you see the prompt "Do you wish to enable large disk support {N}?, type "Y" and press ENTER.
13. On the FDISK Options screen, enter "5".
14. On the next screen, Enter the number the new disk you are formatting.
CAUTION: Be careful not to select the number for the OmniBook's internal hard disk driver, usually assigned as drive C:. This could erase all information on the internal hard disk.
15. On the FDISK Options screen, enter 1 (Create DOS Partition or Logical DOS Drive).

16. Under Create DOS partition or Logical DOS Drive, select 1 (Create Primary DOS Partition) and press Enter.
 17. At the prompt "Do you wish to use the maximum available size for a primary DOS partition", enter Y.
 18. When the partition has been created, Press ESC twice to exit FDISK, then type exit and press ENTER to end the DOS session.
 19. Restart the system.
 20. Click on My Computer. A drive letter appears for your new drive. Right click on this icon and select Format.
 21. When format is complete, repeat steps 2-6 and turn off "Int 13 unit".
 22. Select OK to close Drive Properties then select OK to close System Properties.
- After the system reboots, your new hard drive should be ready to go.

Formatting a hard disk drive in Windows NT

1. From the Start menu, Click Programs, Administrative Tools, Disk Administrator.
2. If your new hard disk is not formatted, click on it's name and select Partition, Create from the menu toolbar.
A drive letter will be created for the partition.
3. If you want to change the drive letter, select Tools, Assign Drive Letter from the menu toolbar.
A pop-up screen allows you to change the drive letter. Click OK when done.
4. Select Partition, Commit Changes Now to save the partition changes, then click Yes in the Confirm dialog box.
5. Click OK in the Disk Administrator dialog box.
6. Select Tools, Format to format the disk drive. Then select the format parameters you want from the pop-up screen and click Start.
7. When formatting is completed, click OK, Close
8. Exit Disk Administrator.
9. See you Windows NT manual for additional information on partitioning disk drives.

Troubleshooting

Troubleshooting

If you have any problems with your dock, you can use the suggestions in this chapter for getting the problem resolved.

If you have questions that this manual does not answer, you can

- Look at the online Help for Windows and other applications.
- Find technical information about the OmniBook on the Internet—visit the Support website at <http://www.hp.com/omnibook>.
- See other books about Windows, MS-DOS, and other applications. Check your local library or bookstore.
- Contact your dealer, or contact Hewlett-Packard—see the OmniBook *Support and Service* booklet or OmniBook Support in the online OmniBook Library.

Solving Problems

If you have a problem using the dock, find the symptom that matches your situation. Try the suggestions one at a time.

If the amber Wait light remains on after you dock the OmniBook and the OmniBook does not recognize devices connected to the dock

- You may have an older BIOS installed in your OmniBook. BIOS versions earlier than version 2.00 do not support use of the docking system. See the upgrade instructions or the readme file on the Upgrade CD-ROM provided with your docking system for information on how to determine which BIOS version you have, and how to upgrade your BIOS if necessary.

If the OmniBook does not undock after you press the undock button

- If no ac power is connected to the dock, make sure the OmniBook is turned on.
- If you are using a password, make sure it is accepted.
- If you are prompted about shutting down devices, and if no applications are using those devices, press ENTER. Otherwise, close those applications and try undocking again.
- Reboot the system and try again.
- Manually undock the OmniBook following the instructions in “To manually undock the OmniBook” on page 1-18. *Always reset the OmniBook after manually undocking.*

If you need to replace a lost or damaged power cord

- For the replacement part number for the power cord, contact the number in the *Support and Service* booklet.

If a connection does not work

- Try connecting the device to the corresponding port on the OmniBook. This can tell you if the problem is with the dock.
- Make sure the OmniBook is fully inserted in the dock. The connection should be snug.
- Make sure the ends of the device cable are connected properly and terminated, if necessary.
- Make sure the device and the dock are connected and both have power connected and are turned on.
- Reboot the OmniBook.

OmniBook battery discharges while docked.

- Make sure that the ac power cord is plugged into the dock and plugged into an ac outlet.

If an external PS/2 mouse or keyboard does not work

- Make sure the mouse or keyboard is plugged into the correct port. The mouse and keyboard ports look the same. See page 1-26.
- Check that the PS/2 mouse is enabled in the BIOS Setup utility.

If you cannot hear audio devices or files

- Make sure sound is not muted by the OmniBook mute control.
- Try increasing the volume using the OmniBook volume control and the Windows volume control.

If an external serial mouse does not work

- Check that the correct serial port is enabled in the BIOS Setup utility. See “To connect a serial mouse” on page 1-26. .

If a PCI accessory board does not work

- Make sure the PCI accessory board is properly seated. .
- Make sure that you have correctly followed any installation instructions provided with the board.

If a PCI accessory board is not recognized by the Omnibook

- Make sure the drivers for the PCI accessory board are installed. See the instructions provided with your PCI board.

If the SCSI device in the PC device bay is not working properly

- Check that the SCSI, power 1, and audio 1 (if required) cables are securely connected to the device. .
- Make sure the device has proper SCSI termination.
- If SCSI devices are connected to the SCSI port on the rear of the dock, make sure all devices are turned on and only the last device on the bus is terminated.
- Make sure all SCSI devices have a unique SCSI address from 0 to 6. Refer to the installation guide provided with the device for information on selecting a SCSI address.

If SCSI devices connected to the SCSI port are not working properly

- Make sure all devices are turned on and the last device on the bus is terminated.
- Check that SCSI interface cables are securely attached.
- If devices are daisy-chained, make that no devices in the middle of the chain are terminated.
- Make sure that all SCSI devices are turned on before starting your Omnibook.
- Make sure all SCSI devices have a unique SCSI address from 0 to 6. Refer to the installation guide provided with the device for information on selecting a SCSI address.

If the IDE device in the PC device bay is not working

- Check that the IDE cable, power, and audio (if required) cables are securely connected. .
- Make sure the IDE device is set to “Master”. If it still does not work, try the “Cable Select” or “CSEL” setting. Refer to the installation guide provided with the device for information on setting Master/Slave/Cable Select options.

**Specifications and Regulatory
Information**

Specifications and Regulatory Information

Your OmniBook dock is designed to provide trouble-free operation. The following suggestions can help you while working with your OmniBook:

- If you have problems, see the problem-solving suggestions and references listed in chapter 3.
- Observe the temperature limits and other specifications listed in the next section.
- If you think your dock might need repair service, see the warranty and service information in the *Support and Service* booklet.

To contact Hewlett-Packard

If you have questions that the OmniBook manuals do not answer (even after looking in the contents and index), you can contact Hewlett-Packard at the address or phone number listed in the *Support and Service* booklet. Please have your dock and OmniBook with you.

Specifications

Ports	<p>240-pin docking connector. Parallel DB25 (EPP/ECP and floppy drive). Serial DB9 (115,200-bps). VGA port, D-sub 15-pin female connector – DDC compliant. 6-pin external keyboard connector. 6-pin external PS/2 mouse connector. Compact SCSI-2 connector. Three audio jacks for Speaker-out, Line-in, and Microphone-in. AC power connector. 2 PCI half-length slots. 2 Type II or Type III PC Card slots. 2 universal serial bus (USB) ports. PC expansion device bay. Plug-in module bay.</p>
Power	Input: 100 to 240 Vac (50 to 60 Hz), 2.5A.
Security	Kensington lock slot secures dock , OmniBook, PC cards, PCI boards, and plug-in modules.
Size (without mointonr stand)	
Height:	130.0 mm (5.13 in.).
Depth:	401.0 mm (12.60 in.).
Width:	428.0 mm (16.85 in.).
Weight	7.9. kg (17.4 lb).
Environmental	
Operating temperature:	5 to 35 °C (41 to 95 °F).
Storage temperature:	–20 to 50 °C (–4 to 122 °F).
Relative humidity:	10% to 90% (noncondensing).
Major ICs	<p>SCSI-2: Symbios 53C810AE CardBus: TI PCI1220 PCI: Ultra IDE CMD 0646U2</p>

Regulatory Information

This section presents information that shows how the dock complies with regulations in certain regions. Any modifications to the dock not expressly approved by Hewlett-Packard could void the authority to operate the dock in these regions.

This dock is for use only with compatible I.T.E. (Information Technology Equipment) HP OmniBook notebook computers.

U.S.A.

The dock generates and uses radio frequency energy and may interfere with radio and television reception. The dock complies with the limits for a Class B computing device as specified in Part 15 of FCC Rules, which provide reasonable protection against such interference in a residential installation. In the unlikely event that there is interference to radio or television reception (which can be determined by unplugging the unit's ac power cord), try the following:

- Reorienting or relocating the receiving antenna.
- Relocating the dock with respect to the receiver.
- Connecting the dock ac power cord to another power outlet.

Connections to Peripheral Devices

To maintain compliance with FCC Rules and Regulations, use properly shielded cables with this device.

For more information, consult your dealer, an experienced radio/television technician, or the following booklet, prepared by the Federal Communications Commission: *How to Identify and Resolve Radio-TV Interference Problems*. This booklet is available from the U.S. Government Printing Office, Washington, DC 20402, Stock Number 004-000-00345-4. At the first printing of this manual, the telephone number was (202) 512-1800.

Declaration of Conformity

Responsible Party: Hewlett-Packard Company
Manager of Corporate Product Regulations
3000 Hanover Street
Palo Alto, CA 94304
(415) 857-1501
declares that the product(s)

Trade name: Hewlett-Packard Company
Product name: HP F1477A Docking System

Complies with Part 15 of the FCC Rules. Operation is subject to the following two conditions:

1. This device may not cause harmful interference, and
2. This device must accept any interference received, including interference that may cause undesired operation.

Canada

This digital apparatus does not exceed the Class B limits for radio noise emissions from digital apparatus as set out in the radio interference regulations of the Canadian Department of Communications.

Le présent appareil numérique n'émet pas de bruits radioélectriques dépassant les limites applicables aux appareils numériques de Classe B prescrites dans le règlement sur le brouillage radioélectrique édicté par le Ministère des Communications du Canada.

Japan

この装置は、情報処理装置等電波障害自主規制協議会（VCCI）の基準に基づくクラスB情報技術装置です。この装置は、家庭環境で使用することを目的としていますが、この装置がラジオやテレビジョン受信機に近接して使用されると受信障害を引き起こすことがあります。

取り扱い説明書に従って正しい取り扱いをして下さい。

Regulatory Information

Europe

Products sold in Europe by Hewlett-Packard and its authorized dealers meet the specifications listed below, according to ISO/IEC Guide 22 and EN 45014.

Declaration of Conformity

Manufacturer:	Hewlett-Packard Company
Address:	Hewlett-Packard Company Mobile Computing Division 19310 Pruneridge Ave. Cupertino, CA 95014 declares that the following product
Product name:	HP F1477A Docking System
Options:	All conforms to the following product specifications
Safety:	IEC 950:1991+A1,A2, A3 / EN 60950 (1992)+A1,A2,A3
EMC:	CISPR 22:1993 / EN 55022 (1994): Class B [1] EN 50082-1:1992 IEC 801-2:1991 / prEN 55024-2 (1992): 4kV CD, 8kV AD IEC 801-3:1984 / prEN 55024-3 (1991): 3V/m IEC 801-4:1988 / prEN 55024-4 (1992): 0.5 kV signal lines, 1.0kV power lines
Supplementary Information:	The product herewith complies with the requirements of the Low Voltage Directive 73/23/EEC , the EMC Directive 89/336/EEC and carries the CE mark accordingly. [1] The product was tested in a typical configuration with Hewlett-Packard personal computer peripherals.

Quality Department
Hewlett-Packard Company
Mobile Computing Division

Index

- A
 - ac power, 1-12
 - accessories
 - installing, 1-38
 - accessories
 - plug-in, 1-45, 1-46
 - audio
 - troubleshooting, 1-66
- B
 - battery
 - troubleshooting, 1-66
 - BIOS Setup, 1-25
 - button
 - power, 1-20
 - system off, 1-20
- C
 - cable
 - security, 1-21
 - connecting, 1-27
 - ac power, 1-12
 - external display, 1-30
 - keyboard, 1-25
 - parallel device, 1-32
 - PC Card, 1-33
 - printer, 1-32
 - PS/2 mouse, 1-26
 - SCSI device, 1-27
 - security cable, 1-21
 - serial device, 1-27
 - serial mouse, 1-26
 - Type III CardBus devices, 1-33
 - USB device, 1-29
- contacting HP, 1-70
- creating hardware profile, 1-23
- D
 - Declaration of Conformity, 1-74
 - device
 - display, 1-30
 - keyboard, 1-25
 - parallel, 1-32
 - SCSI, 1-27
 - serial, 1-27
 - USB, 1-29
 - devices (plug-in)
 - installing, 1-46
 - removing, 1-45
 - dimensions, 1-71
 - display
 - external, 1-30
 - troubleshooting, 1-65
 - dock
 - features, 1-9
 - setting up, 1-12
 - dock tray, 1-13
 - docking password, 1-19
 - docking the OmniBook, 1-14
 - documentation, 1-64
- E
 - enabling
 - display device, 1-31
 - external Fn key, 1-25
 - serial mouse, 1-26
- F
 - Fn key
 - + F5, 1-31
 - external, 1-25
 - formatting hard disk, 1-60
- H
 - hard disk
 - formatting, 1-60
 - hardware profile, 1-23
 - help, 1-64
- I
 - IDE devices
 - installing, 1-51
 - troubleshooting, 1-67
 - installing
 - plug-in modules, 1-46
 - installing accessories, 1-38
 - installing IDE devices, 1-51
 - installing module bay
 - adapter, 1-40
 - installing PC devices, 1-51
 - installing PCI boards, 1-47
 - installing SCSI devices, 1-51
- K
 - Kensington lock, 1-21
 - keyboard
 - connecting, 1-25
 - external Fn key, 1-25
- L
 - license agreement, 1-3

- M
- manual undocking, 1-18
- MicroSaver lock, 1-21
- modem, 1-27
- module bay adapter
 - installing, 1-40
 - using, 1-39
- monitor. *See* display
- O
- OmniBook
 - docking, 1-14
 - documentation, 1-64
 - regulatory, 1-72
 - repair, 1-70
 - specifications, 1-71
 - support, 1-70
 - turning off, 1-20
 - turning on, 1-20
 - undocking, 1-16
 - operating temperature, 1-71
- P
- parallel device
 - connecting, 1-32
 - troubleshooting, 1-65
- password
 - docking, 1-19
- PC Card
 - connecting, 1-33
 - removing, 1-34
- PC devices
 - installing, 1-51
- PCI boards
 - alternate installation, 1-49
 - installing, 1-47
- PCI card
 - troubleshooting, 1-66
- ports
 - ac power connector, 1-12
 - display, 1-30
 - keyboard, 1-25
 - mouse, 1-26
 - printer, 1-32
 - SCSI device, 1-27
 - serial device, 1-27
 - USB, 1-29
- power, 1-71
- power button, 1-20
- protection
 - security cable, 1-21
- PS/2 mouse
 - troubleshooting, 1-66
- R
- regulatory, 1-72
- removing
 - PC Card, 1-34
 - Type III CardBus devices, 1-34
- repair, 1-70
- S
- SCSI
 - device, 1-27
 - troubleshooting, 1-66
- SCSI devices
 - installing, 1-51
- security
 - cable, 1-21
- security post, 1-13
- serial
 - device, 1-27
 - USB device, 1-29
- serial device
 - troubleshooting, 1-65
- serial mouse
 - troubleshooting, 1-66
- service (repair), 1-70
- software license, 1-3
- specifications, 1-71
- support, 1-70
- Support website, 1-64
- SVGA, 1-30
- system off button, 1-20
- T
- technical specifications, 1-71
- temperature, 1-71
- troubleshooting
 - audio, 1-66
 - battery, 1-66
 - display, 1-65
 - IDE devices, 1-67
 - mouse, 1-66
 - parallel device, 1-65
 - PCI card, 1-66
 - SCSI, 1-66
 - serial device, 1-65
 - serial mouse, 1-66
 - undocking, 1-65
- troubleshooting, 1-65
- turning off the OmniBook, 1-20
- turning on the OmniBook, 1-20
- U
- undocking
 - manual, 1-18
 - OmniBook, 1-16
 - troubleshooting, 1-65
- universal serial bus, 1-29
- USB device, 1-29
- V
- VGA, 1-30
- W
- weight, 1-71
- X
- XGA, 1-30