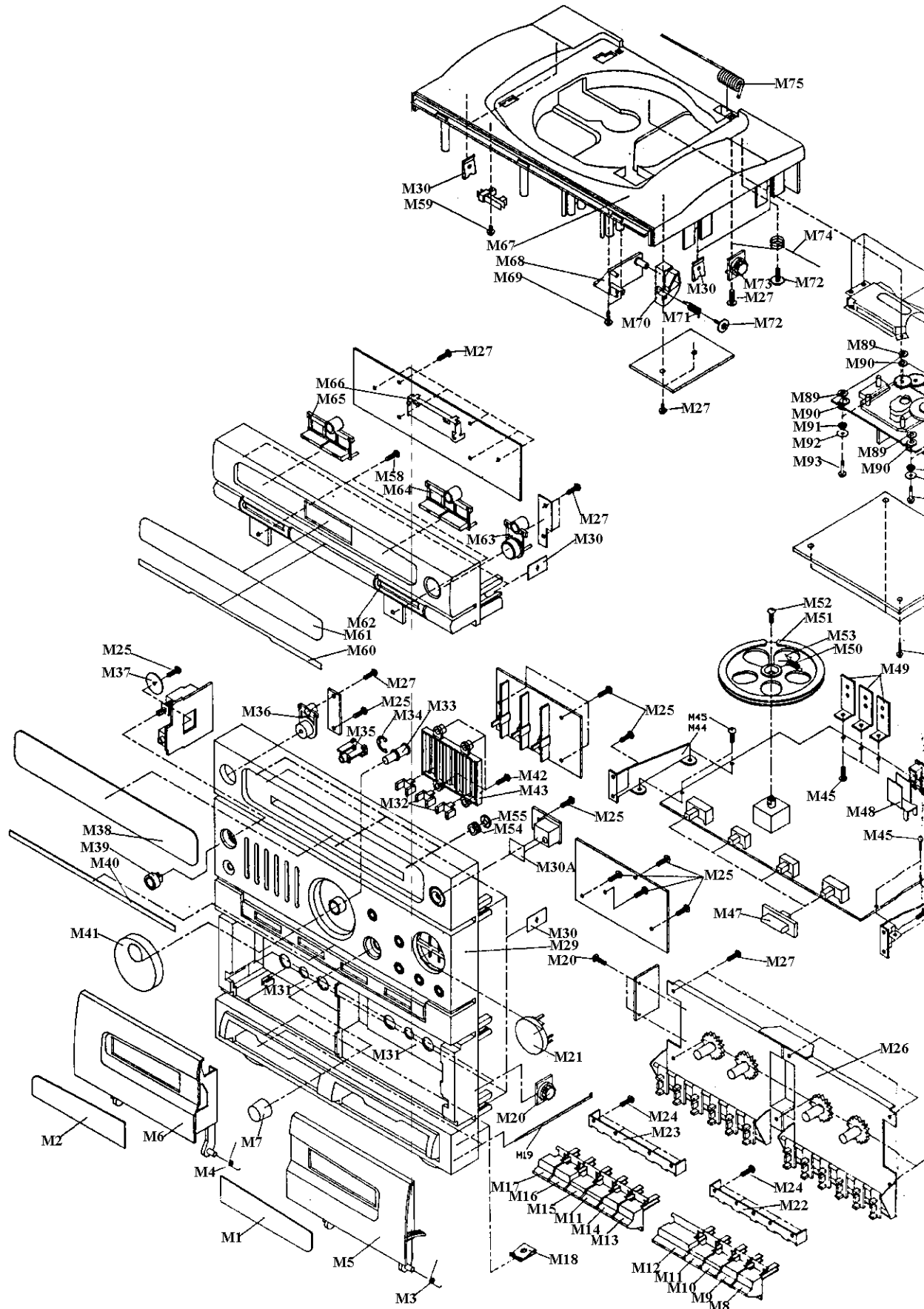


**SYSTEM 723 DUAL CASSETTE  
WITH AM/FM TUNER/COMPACT  
DISC AND EQUALIZER  
CABINET SHEET # 1 (130-1270)  
FAXBACK DOC # 11041**



**SYSTEM 723 DUAL CASSETTE  
WITH AM/FM TUNER/COMPACT  
DISC AND EQUALIZER  
CABINET SHEET # 2 (130-1270)  
FAXBACK DOC # 11041**

