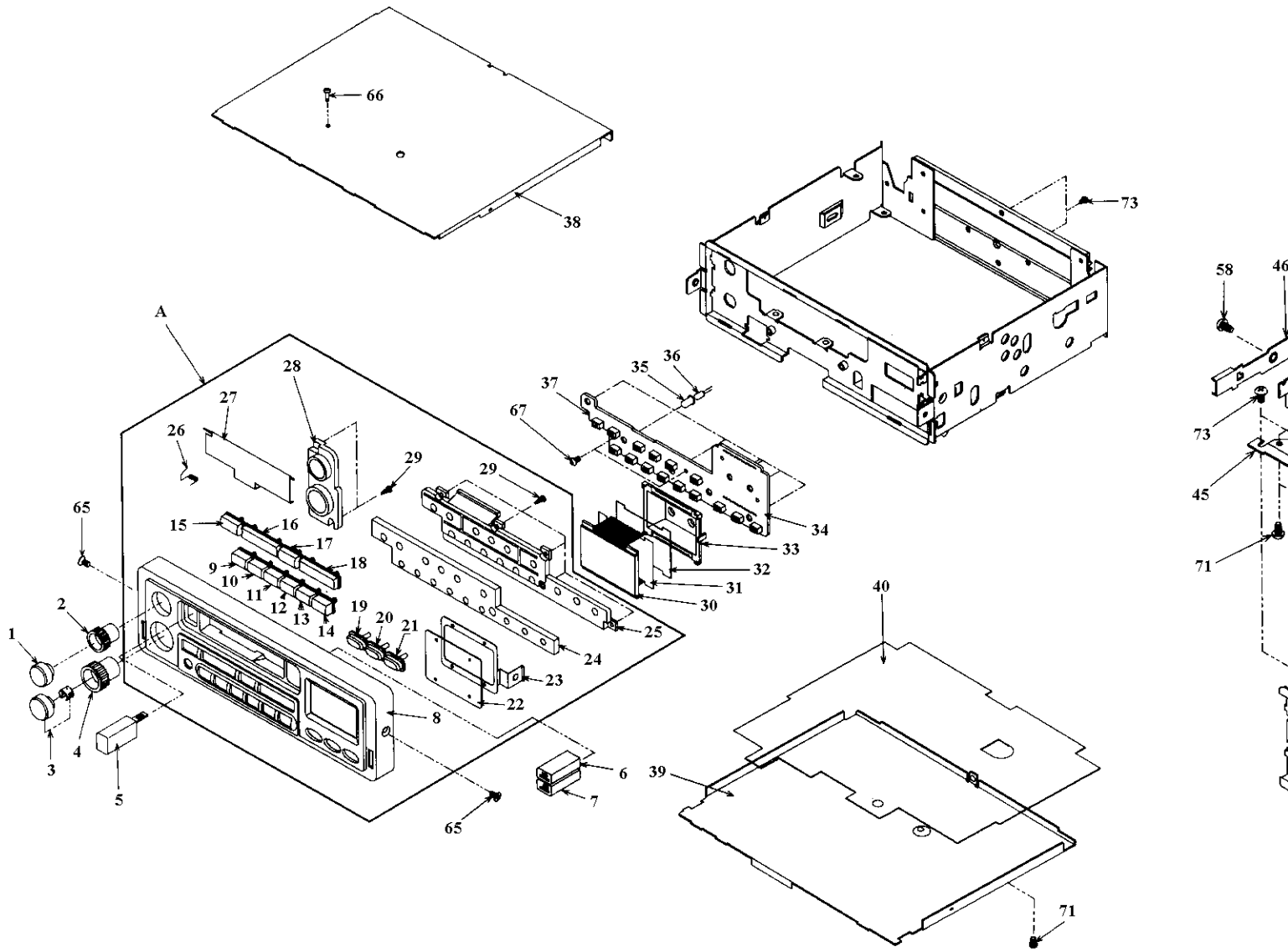


AM FM STEREO CAR  
CASSETTE PLAYER  
CABINET SHEET # 1 (120-1991)  
FAXBACK DOC # 10926



AM/FM STEREO CAR  
CASSETTE PLAYER  
CABINET SHEET # 2 (120-1991)  
FAXBACK DOC # 10926

