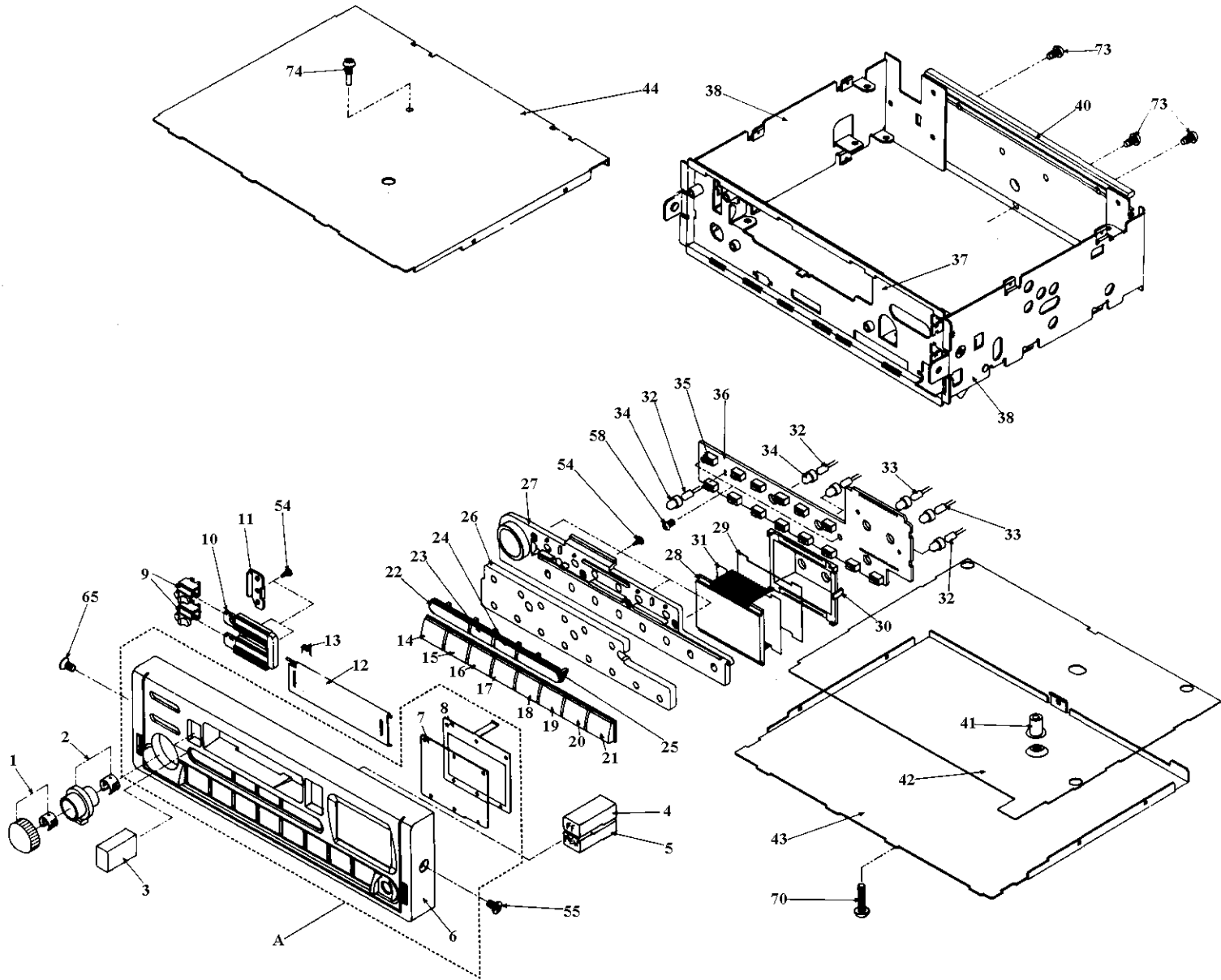


AM/FM STEREO CAR
CASSETTE PLAYER
CABINET SHEET # 1 (120-1945)
FAXBACK DOC # 10898



AM/FM STEREO CAR
CASSETTE PLAYER
CABINET SHEET # 2 (120-1945)
FAXBACK DOC # 10898

