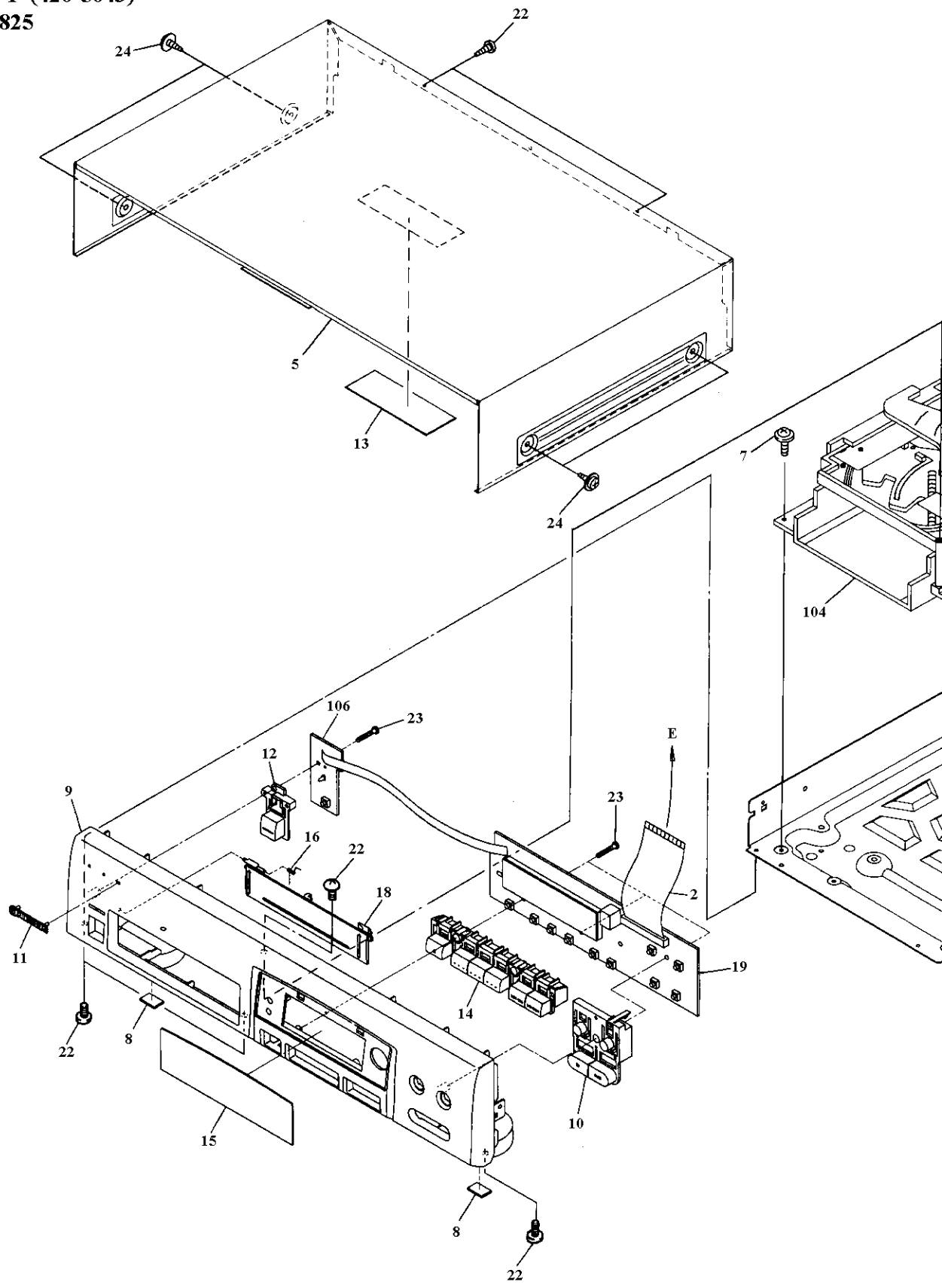


**MODEL CD-7200 COMPACT  
DISC AUTOMATIC CHANGER  
EXTERIOR SHEET # 1 (420-5043)  
FAXBACK DOC # 10825**



**MODEL CD-7200 COMPACT  
DISC AUTOMATIC CHANGER  
EXTERIOR SHEET # 2 (420-5043)  
FAXBACK DOC # 10825**

