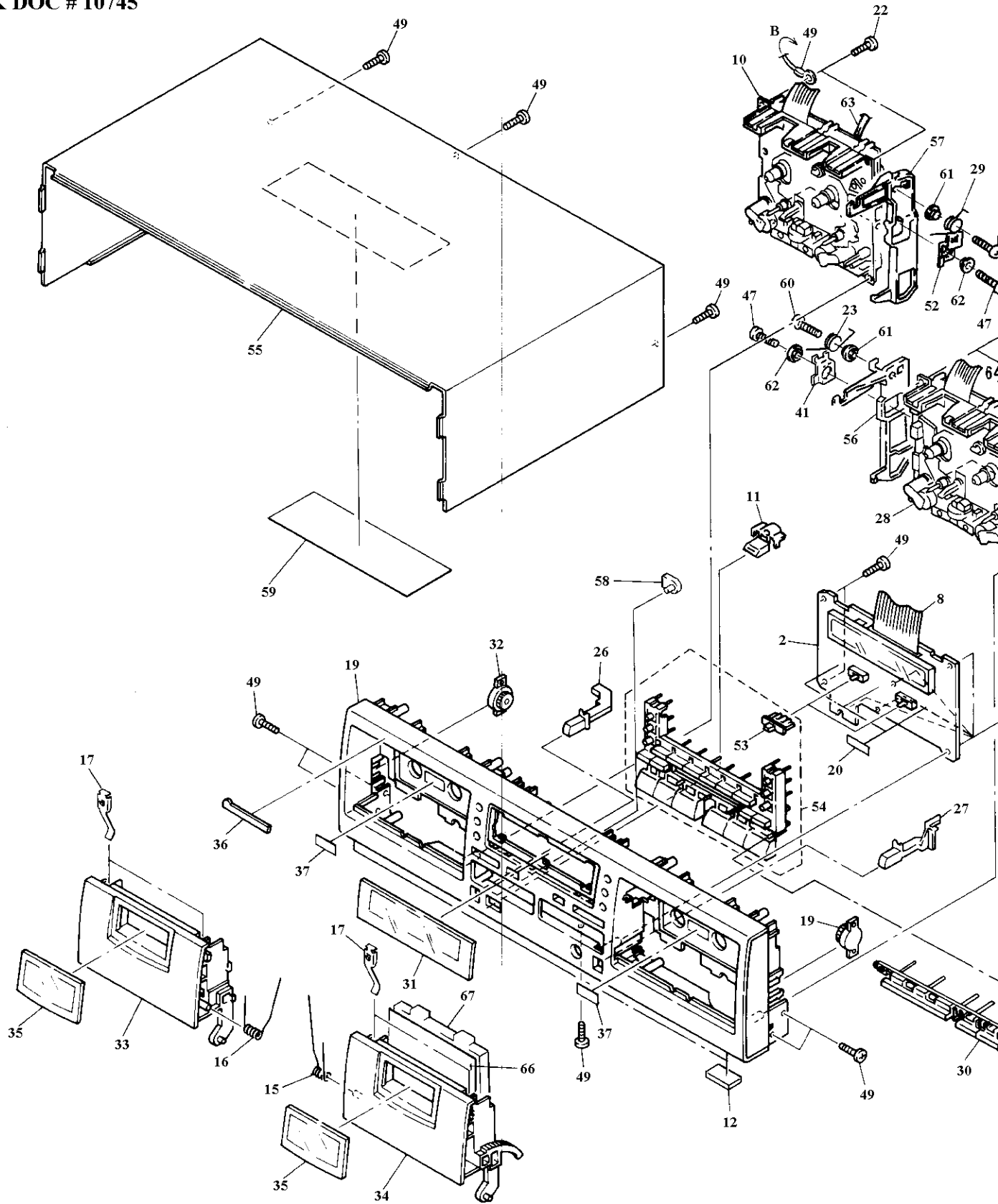


**MODEL SCT-54 HIGH-SPEED
DUBBING CASSETTE DECK
EXTERIOR SHEET # 1 (140-0673)
FAXBACK DOC # 10745**



**MODEL SCT-54 HIGH-SPEED
DUBBING CASSETTE DECK
EXTERIOR SHEET # 2 (140-0673)
FAXBACK DOC # 10745**

