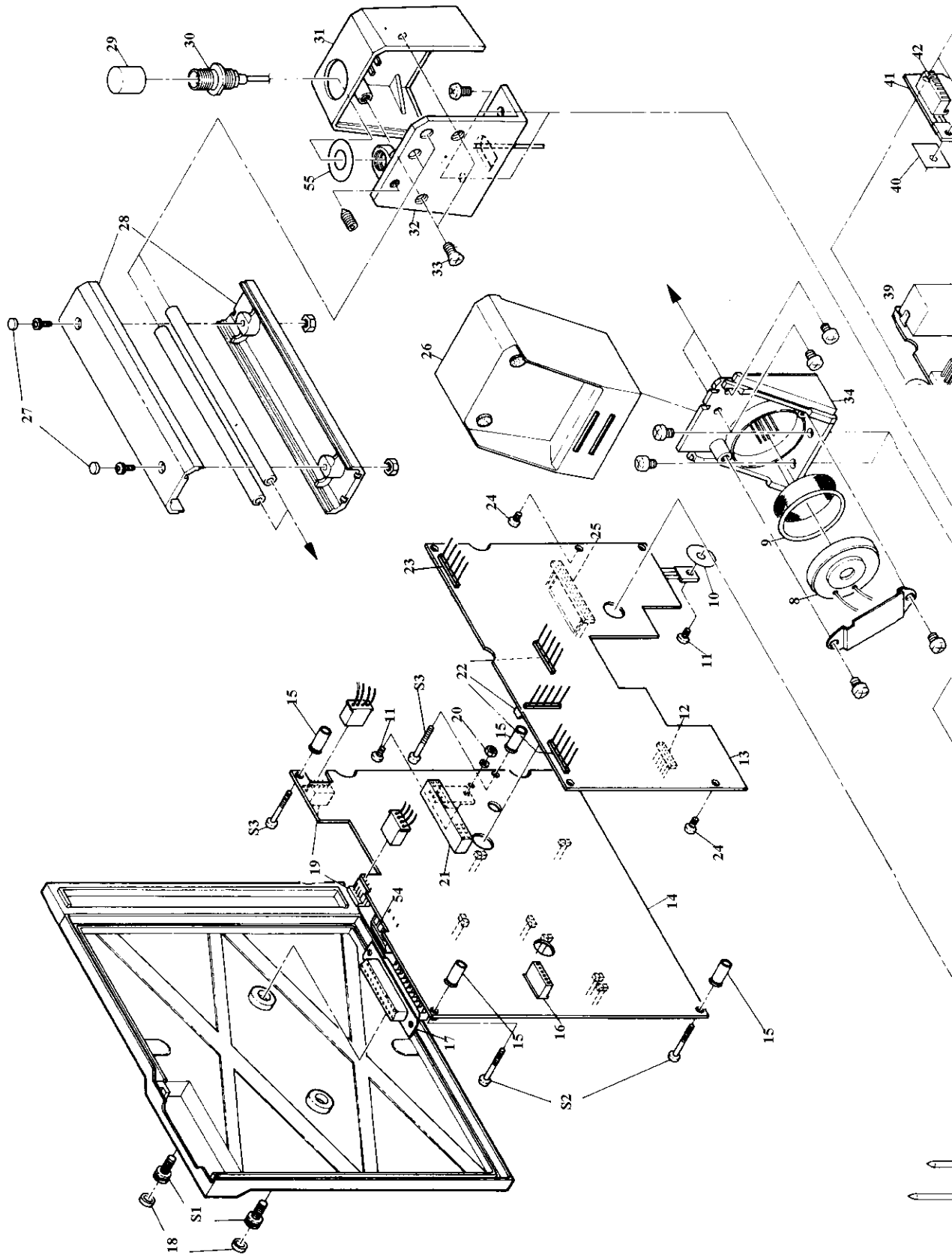


CELLULAR MOBILE  
TELEPHONE TRANCEIVER  
SHEET # 1 (170-1005)  
FAXBACK DOC # 10682



**CELLULAR MOBILE  
TELEPHONE TRANCEIVER  
SHEET # 2 (170-1005)  
FAXBACK DOC # 10682**

