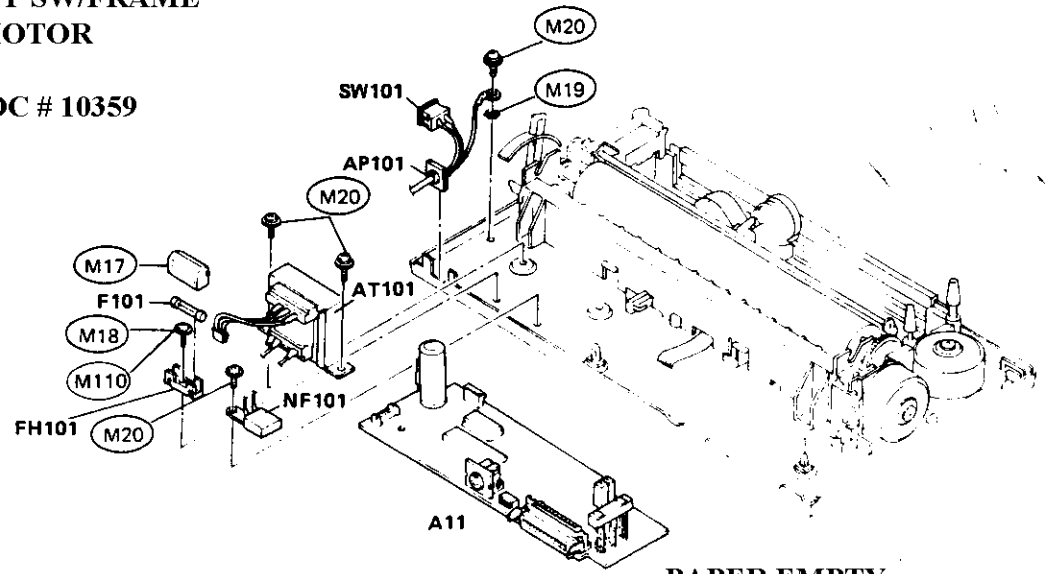
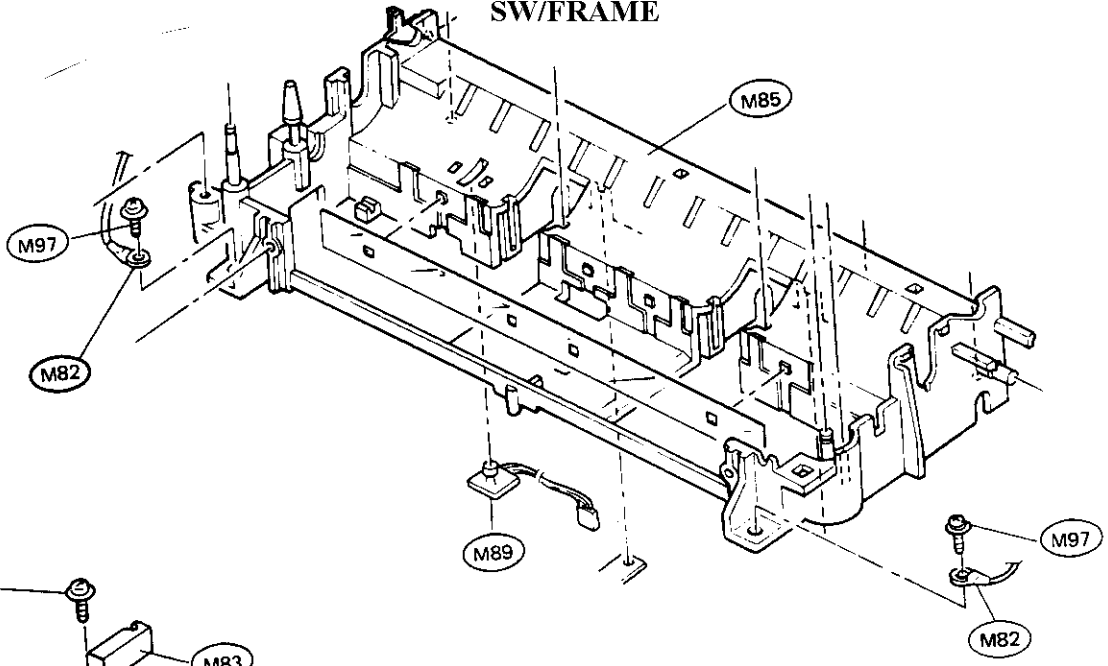


**DMP-106 POWER SUPPLY/
PAPER EMPTY SW/FRAME
CARRIAGE MOTOR
(260-2802)
FAXBACK DOC # 10359**

POWER SUPPLY



**PAPER EMPTY
SW/FRAME**



CARRIAGE MOTOR

