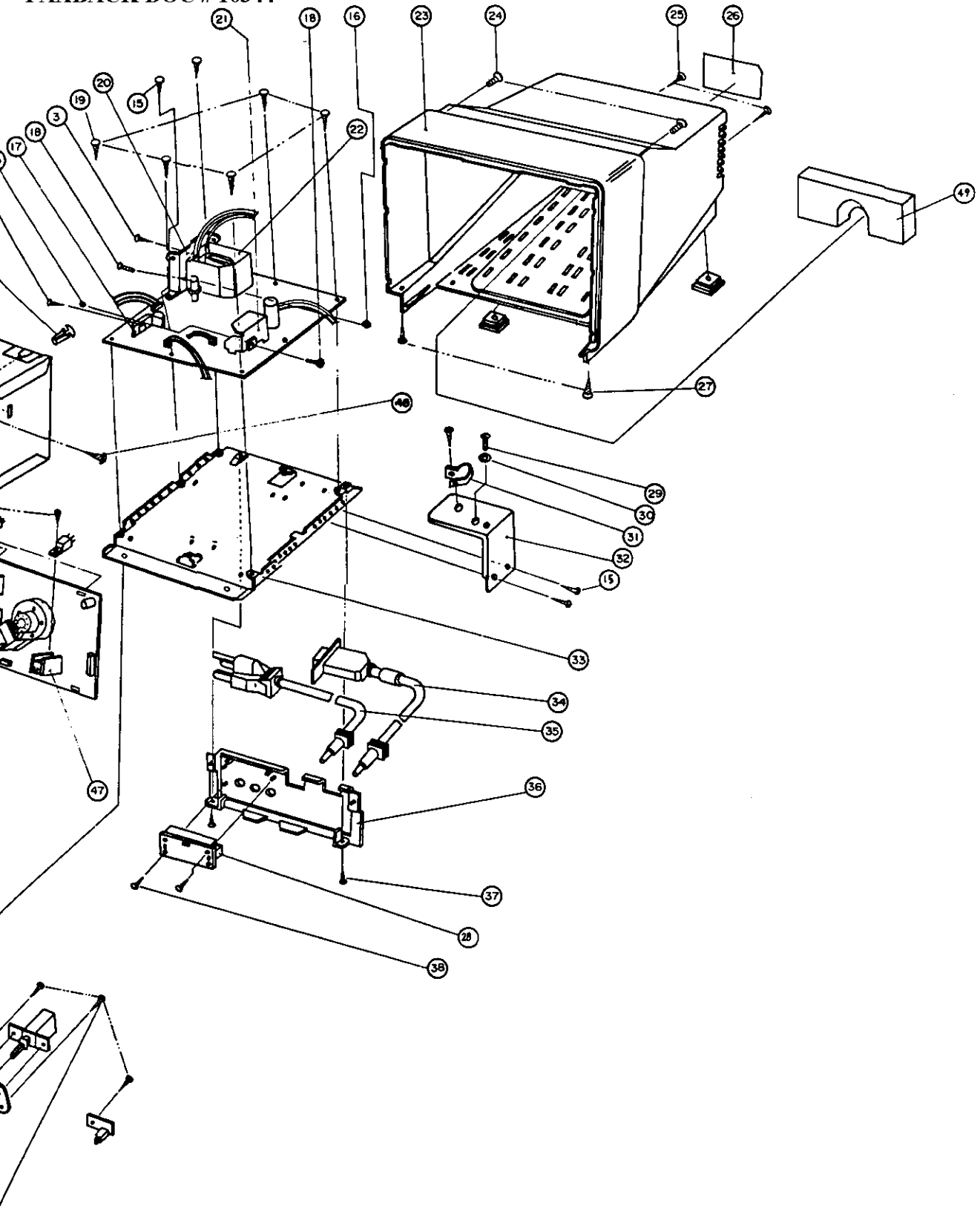


CM-5 RGB COLOR MONITOR
SHEET # 1 (250-1043B)
FAXBACK DOC # 10344



CONTINUED ON
SHEET # 1