

Interface Board:

Note: There are two versions of this interface board. The jumper setting functions (I/O Settings) are identical, except the order that the jumpers are placed on the board are reversed.

CD-IF14-A Version

Jumper	Address
S7	360-36F
S6	340-34F
S5	320-32F
S4	300-30F
S3	260-26F
S2	240-24F
S1	220-22F
S0	200-20F

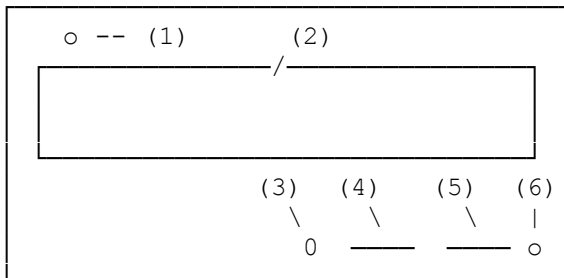
CD-IF35-A Version

Jumper	Address
S0	200-20F
S1	220-22F
S2	240-24F
S3	260-26F
S4	300-30F
S5	320-32F
S6	340-34F
S7	360-36F

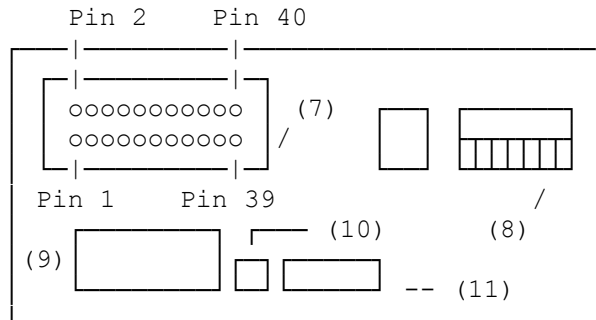
You will find the jumpers located between sockets IC-7 and IC-17 on both revision boards.

CD-ROM Drive:

Front Panel of Drive



Back of Drive



1. POWER and BUSY indicator
2. Caddy Door
3. Headphone Jack (3.5)
4. Headphone Volume control
5. Eject Button
6. Manual Emergency Eject Hole

7. Interface Connector
8. DIP Switches
9. Power Supply Connector (DC Input)
10. Ground Terminal
11. Audio Output terminal

Functions and Settings:

Front panel of Drive:

1. POWER and BUSY indicator

Indicator blinks in green when the power to the drive is on.
 Indicator blinks orange when the CD Caddy is being loaded or unloaded.
 Indicator lights orange when data is accessed.

2. Caddy Door
3. Headphone Jack (3.5)
4. Headphone Volume control
5. Eject Button

Press this button to remove the CD Caddy.
 This button is only operational when the power is on.

6. Manual Emergency Eject Hole (See page 15 of the manual)

If you cannot remove the CD Caddy, turn off the drive's power. Insert the eject bar into the Manual Emergency Eject hole, and push it about 15mm (3/5 inch), then the CD Caddy can be ejected.
 (Make sure that, power is turned off before using Emergency Eject function.)

Back of Drive:

7. Interface Connector

40 pin parallel interface connection. (TTL level)
 40 pin header type connector manufactured by IRISO ELECTRIC CO., Ltd
 Use matching plug (IRISO: IMSA-9000S)
 For connecting the connection cable (HITACHI INTERFACE cable CD-CBL35-A)

Pin Assignment

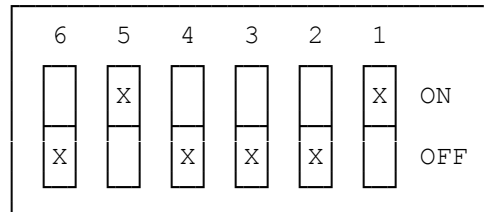
NO.	SIGNAL	NO.	SIGNAL	I/O	NO.	SIGNAL	I/O	NO.	SIGNAL	I/O
1	GND	2	DB0	I/O	21	-LS*	I	22	-DS3	I
3	GND	4	DB1	I/O	23	GND		24	-DS1	I
5	GND	6	DB2	I/O	25	GND		26	-DREQ	O
7	GND	8	DB3	I/O	27	GND		28	DACK	I
9	GND	10	DB4	I/O	29	GND		30	-ACK	O
11	GND	12	DB5	I/O	31	GND		32	-BUSY	O
13	GND	14	DB6	I/O	33	GND		34	-CMD	I
15	GND	16	DB7	I/O	35	GND		36	-DEND	I
17	GND	18	-DS0	I	37	GND		38	-RES	I
19	GND	20	-DS2	I	39	DS8	I	40	Reserv.	

* No. 21 pin "-LS" must be connected to GND on the interface card.

8. DIP Switches

Drive Select Switch for selecting the drive number.
Switch No. 1 and 5 are set ON at factory.

Switch No.	Function
1	Set drive No. to Drive 0/4
2	Set drive No. to Drive 1/5
3	Set drive No. to Drive 2/6
4	Set drive No. to Drive 3/7
5	Drive No. selector
6	DREQ signal mode selector



Switch No. 6 is a DREQ signal mode selector, and set OFF at factor.

ON: Latched Mode

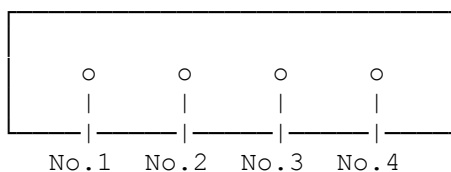
OFF: Edged Mode

- NOTES:
- Any two of switches (No. 1 to 4) must not be ON at the same time.
 - If you use more than two drives, set different drive No. for each.
 - If you use drive No. 4 to 7, set switch No. 5 OFF.
 - If you use this drive with the I/F card (CD-IF20-D2), set switch No. 6 ON.

9. Power Supply Connector (DC Input)

Power Supply Connector

For connecting the power supply cable.



No. 1: +12V

No. 2: GND

No. 3: GND

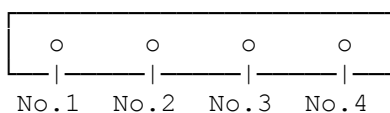
No. 4: +5V

10. Ground Terminal

This terminal is the Ground terminal which is connected to the Signal Ground and the Frame Ground.

11. Audio Output terminal

Audio Output Terminal



No. 1: Audio output (Rch)

No. 2: GND

No. 3: Audio output (Lch)

No. 4: GND