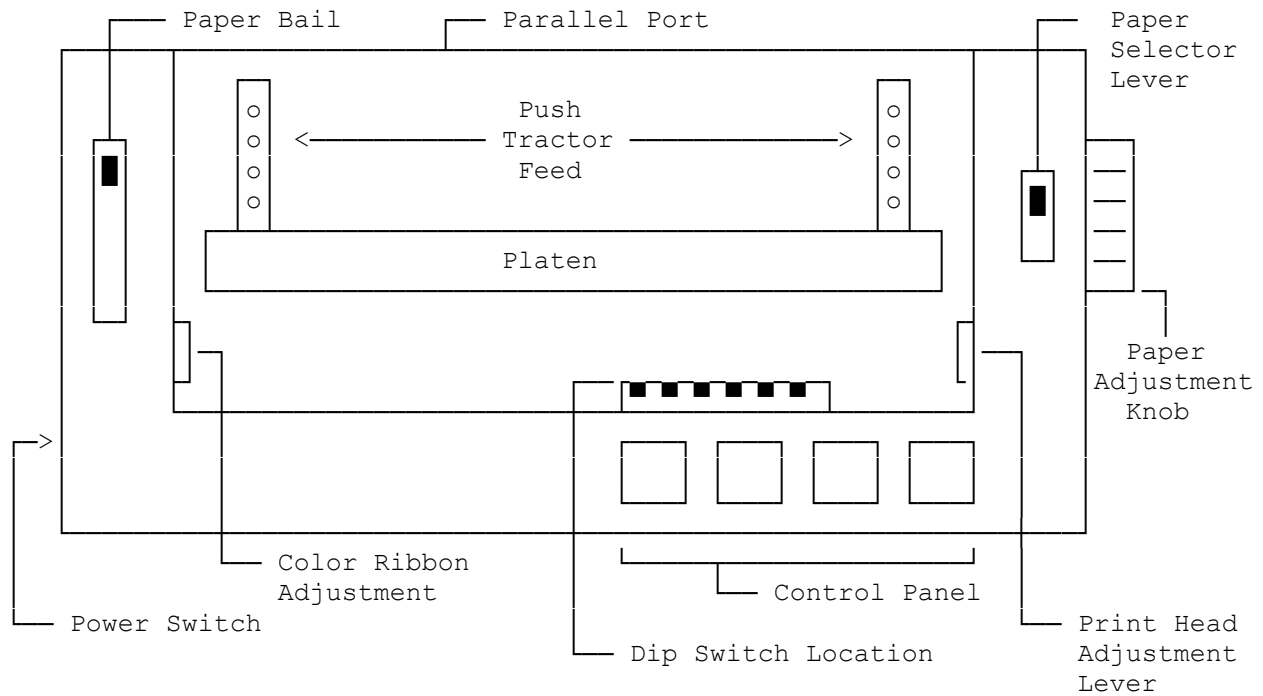


Layout of Printer Controls:



Paper Bail Lever:

Used to pull the paper bail forward. Pulling the paper bail lever forward will invoke the "automatic paper loading" function. The paper advances to 1/2 inch above the print start position. Pushing the paper bail back will retract the paper to the print start position.

Paper Selector:

Pull the paper selector forward to select tractor feed paper, or backward for single sheet paper.

Power Switch:

Rock the switch backward to turn ON the DMP-137. Rock the switch forward to turn OFF the printer.

Control Panel:

Four panel switches allow the user to custom configure the default setup of the printer and control paper loading/unloading. Faxback Document # 4009 will provide specific instructions on using the control panel.

Color Ribbon Adjustment:

Used to adjust the color ribbon tracking. If colors run together or the wrong color is printed, this adjustment will correct the print head/color ribbon alignment. Faxback Document # 4013 will give specific instruction on color ribbon adjustment.

Paper Adjustment Knob:

Used to make adjustments to the print start position. Clockwise to advance the paper, counterclockwise to retract the paper.

Print Head Adjustment Lever:

Used to change the distance between the print head and platen. Forward to increase the distance, backward to decrease the distance. Faxback Document # 4016 will provide a more detailed use of the print head adjustment lever.

Dip Switches:

IBM MODE			EPSON MODE		
Switch	ON	OFF (Default)	Switch	ON	OFF
1 Emulation	---	IBM	1 Emulation	Epson	---
2 Character Set	Set 2	Set 1	2 Character Set	Graphic	Italic
3 Page Length	12"	11"	3 Page Length	12"	11"
4 20 cpi	Invalid	Valid	4 1" Skip	Valid	Invalid
5 Automatic LF	CR=CR+LF	CR=CR	5 Automatic LF	CR=CR+LF	Autofeed
6 USA / Multi-Lingual	Multi-Lingual	USA	6 Printer Data Flow Control (DC1/DC3)	Valid	Invalid

Faxback Document # 4007 will give detailed information on setting the dip switches.

(dte-08/05/93)