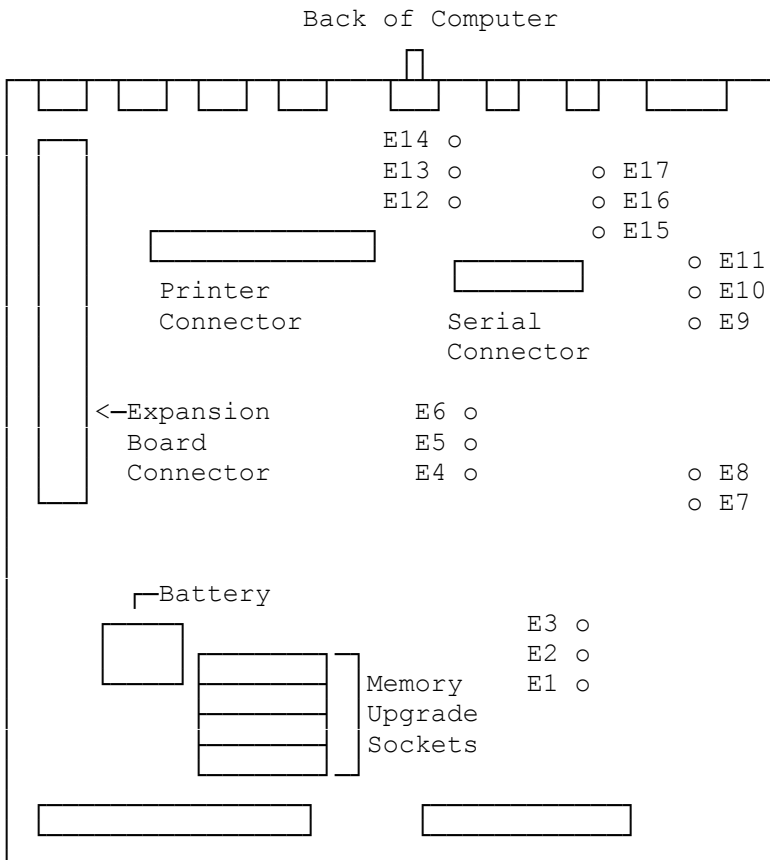


Jumper	Settings	Description
Disk Drive connector address select	E1-E2 * E2-E3	Primary (Port 3F0-3F7) Secondary (Port 370-377)
On board VGA video enable	E10-E11 * E9-E10	Enabled Disabled
VGA interrupt on IRQ 3	E7-E8 *	Enabled Disabled (Not Jumpered)
Dual mapping of video BIOS	E4-E5 * E5-E6	Enabled Disabled
Microphone/line Audio input jumper	E12-E13 * E13-E14	Microphone enabled Line level audio input enabled
Line output Headphone output	E15-E16 * E16-E17	Enabled Enabled

\* = Default Factory Setting

Main Logic Board Layout:



IDE Hard Drive  
Connector

Floppy Drive  
Connector