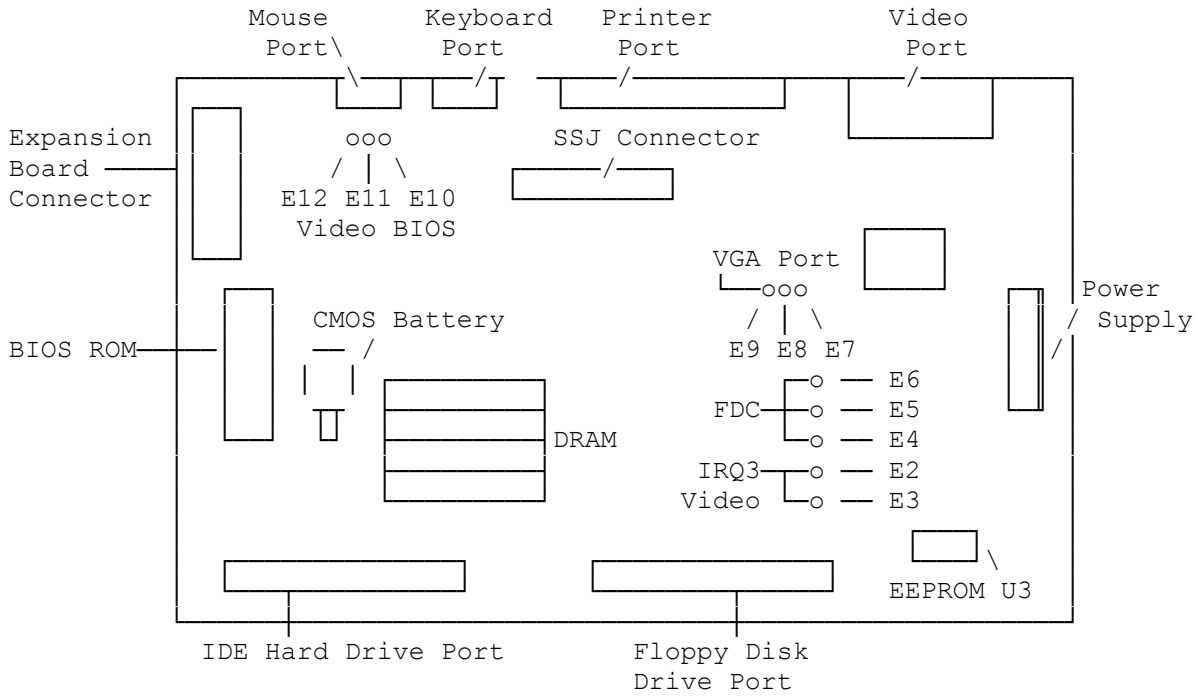


Note: Refer to Faxback Doc. # 1322 for Setting the Main Logic & SSJ Board.



SSJ Board Layout:

