

Boca's Family of Ethernet Products

Fast Ethernet

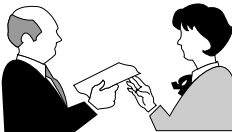
BOCALANcard-100/10

Before You Begin your Installation

The product you have purchased is designed to be easily installed into most IBM PC or compatible systems. Many products have large, easy-to-read legends to allow for the easy configuring of the product. This installation manual contains detailed instructions. Most included software has automatic installation programs to place the software correctly onto your computer. However, as all computers are configured differently, you may be required to perform some basic DOS or Windows tasks. If you are not familiar with basic DOS commands such as DIR, CD, or EDIT, you should check your DOS manual, or seek assistance from you local computer dealer to install the product.



How to get Technical Assistance



The dealer that you purchased this product or your computer from is the first place you should go for technical assistance. The dealer is usually the most qualified source of help, and is most familiar with your system and how this product should be installed. Many dealers have customer service and technical support programs, with varying levels of support offered, depending on your needs and computer knowledge. ***Please contact the dealer first whenever a problem occurs.***

If your Dealer Can't Assist you

If you can't get assistance from your dealer, the manufacturer provides varying levels of technical assistance as summarized on the following page.



Boca BBS
407-241-1601



**Standard Free
Technical Support**
407-241-8088



**Automated
Fax Retrieval
System**
407-995-9456



Priority Service
900-555-4900
(\$2 per minute)

The Standard Free Technical Support number is for quick answers to specific inquiries on product features and technical questions (call **407-241-8088**; M-F, 8 am to 6:30 pm EST). Direct access to technical support representatives is provided on a limited basis. If you require immediate attention or in-depth help with the installation of the product, please call our 900-priority support number for service. This number gives you immediate access to senior-level technicians. The number is **900-555-4900**. You will be charged \$2.00 per minute. The charges will appear on your next phone bill.

On-Line Support!
CompuServe: GO BOCA
Internet:

email: support@boca.org
on the World-wide WEB:
http://www.boca.org



Damaged or Missing Items

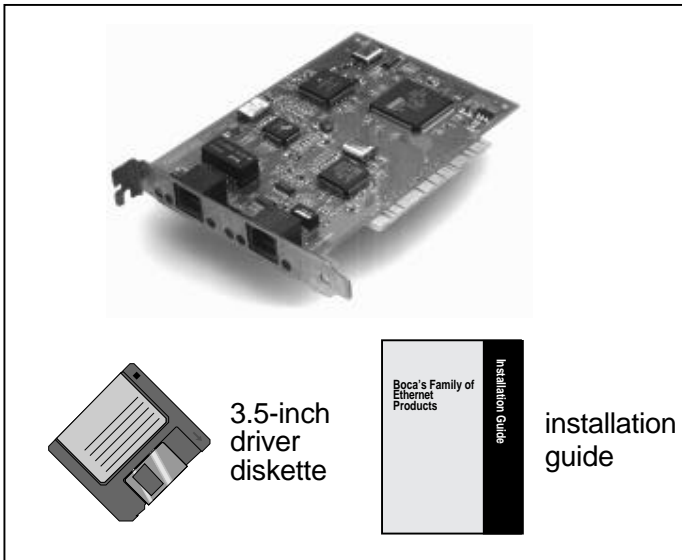
We use many world-class quality assurance programs to ensure the product you purchased is of the highest caliber. Sometimes, however, a component may be missing from the box, or is damaged or corrupt in some way. If this happens, immediately return the entire package to your place of purchase so you may exchange it for a new one. Your dealer should be able to provide you with an exchange far more quickly than by contacting us directly. If for some reason you are unable to return the product directly to its place of purchase, refer to the “Servicing Your Product” and “Warranty” sections in this manual for instructions.

Contents

Getting Started	6
<i>EXPRESS</i> Installation	7
Section One: Product Overview	10
Section Two: Installation	15
Section Three: Driver Configuration & Installation ...	18
3.1 NDIS 3.0	19
3.1.1 Windows 95	19
3.1.2 Windows for Workgroups 3.11	22
3.1.3 Windows NT 3.5	25
3.2 NDIS 2.0	27
3.2.1 NDIS 2.0 DOS	27
3.2.2 Pathworks for DOS 4.1	29
3.2.3 NDIS OS/2	30
3.3 Novell ODI DOS Client	31
3.4 Novell ODI DOS Server	34
3.4.1 NetWare 3.1x	34
3.4.2 NetWare 4.x	34
Section Four: Troubleshooting	37
Appendix A: Specifications	39
Appendix B: FCC Compliance	40
Appendix C: Servicing Your Boca Product	41
Appendix D: Pin Assignments	43
Appendix E: Manual Installation of Drivers	44
Appendix F: Installing Multiple Boards	50
Appendix G: PROTOCOL.INI Parameters	52
Warranty	57

Getting Started

Congratulations on the purchase of your Fast Ethernet Adapter BOCALANcard-100/10 (BE100/10) from Boca Research, Inc., a leader in high-tech computer enhancement products. Get started with the streamlined *EXPRESS* Install on pages 7-9, which is intended for more experienced and knowledgeable users. The balance of the manual contains a product overview, detailed installation instructions, troubleshooting, and technical specifications.

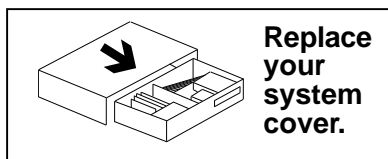
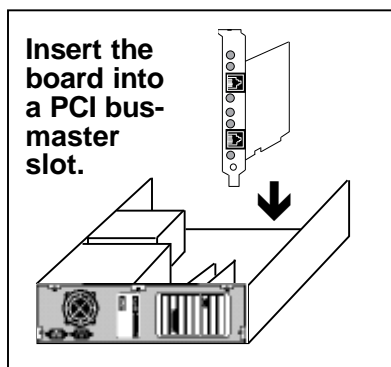
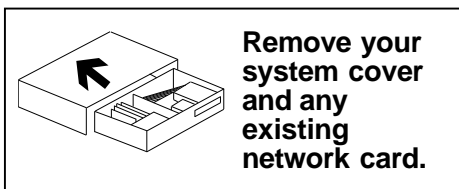


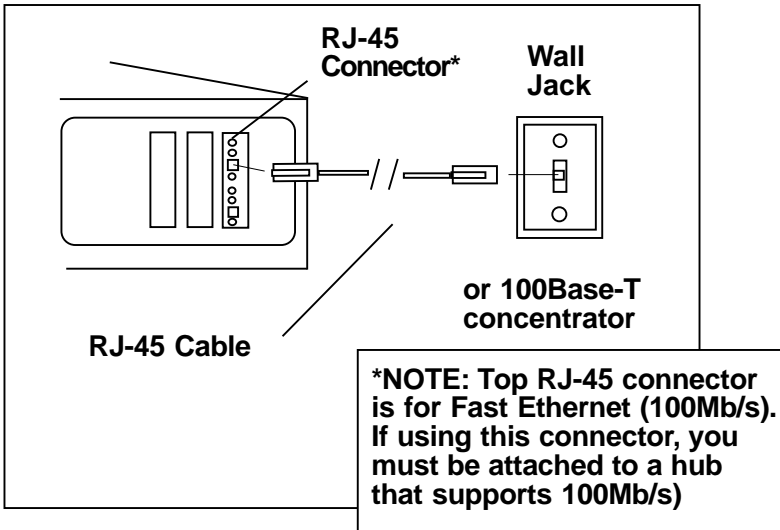
If any items are missing or appear incomplete or damaged, contact your dealer for assistance.

***EXPRESS* Hardware Installation**

**START
HERE!**

Turn OFF your computer.

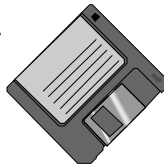




Turn ON your computer.



**Install drivers.
Go to *EXPRESS*
Software
Installation on
next page, or
Section Three,
page 18.**



EXPRESS Software Installation



**BOOT YOUR SYSTEM
AND GO TO THE C:\
DOS PROMPT.**

**INSERT THE BOCA
RESEARCH BE100/10
DISKETTE IN THE A:\
DRIVE.**

**TYPE A:\INSTALL
AND PRESS ENTER.**

**SELECT THE NETWORK DRIVERS YOU
WISH TO INSTALL BY PRESSING THE
SPACEBAR FOR EACH. FOLLOW ALL
ON-SCREEN INSTRUCTIONS.**

**PRESS ENTER TO COPY THE DRIVERS
TO YOUR HARD DRIVE.**

**NOW, GO TO SECTION THREE, PAGE 18,
FOR INSTRUCTIONS ON HOW TO
CONFIGURE YOUR NETWORK OPERATING
SYSTEM FOR USE WITH THE BE100/10
DRIVERS.**

Section One : Product Overview

This Boca Ethernet adapter is compatible with network hardware which complies with IEEE Ethernet 802.3 standards. The “Fast Ethernet” BOCALANcard-100/10 offers two unshielded twisted-pair (UTP) connectors (RJ-45s), one for standard UTP 10Mbps. data transfer and one for “Fast” Ethernet with a data transfer rate of 100Mbps.

Features of the Boca Ethernet Adapter:

- Based on the DECchip 21140 PCI chip.
- Compliant with Revision 2.0 of the PCI Local-Bus standard.
- Provides a 32-bit PCI Local-Bus interface.
- Provides six diagnostic LEDs.
- Provides one RJ-45 connector for 10Base-T connection and one RJ-45 connector for 100Base-TX connection.
- Supports Category 3/4/5 UTP cable for 10Mbps data transfer and Category 5 UTP cable for 100Mbps data transfer.
- Autoconfigures for 100Mbps/10Mbps data
- Jumperless configuration. The PCI BIOS controls the IRQ and I/O addressing.

- FCC: Complies with CLASS A specifications.
- Driver support for:
 - Novell NetWare ODI DOS Client/Server
 - NDIS 3.0
(Windows 95, Windows for Workgroups 3.11, Windows NT)
 - NDIS 2.0
(DOS, Pathworks for DOS, OS/2, Windows for Workgroups 3.1)

Benefits

- Easy installation
- Provides high-speed data transfers
- Minimizes CPU overhead
- Allows for future migration from 10Base-T to 100Base-TX networks
- 5-year limited warranty
- Free technical support

System Requirements

- Any Pentium or 486 PC with bus-mastering 32-bit PCI Rev. 2.0 bus slot.
- If using MS-DOS, version 3.0 or higher
- If using EMM386, version 4.49 or higher

Dimensions

- L 6" X 3 7/8"

Hardware Installation

The default settings for the adapter are as follows:

PCI Interrupt	A
Bus Master	

You will be inserting the adapter into a PCI-Bus master slot. There are normally three PCI expansion slots, depending on your system. PCI (Peripheral Component Interconnect) is a new standard in motherboard configurations. Using a 32/64-bit bus and BIOS-configurable adapter cards, a PCI motherboard promotes conflict-free expansion.

NOTE: If your particular PCI motherboard comes with a “slave” PCI slot, do NOT insert the board into that slot. It will not work. The board must be inserted into a “master” slot.

The PCI BIOS communicates with PCI adapter cards and dynamically configures each card during installation. The BE100/10 does not allow end-user selection of DMA, IRQ, or port addresses. This is done using the PCI standard.

Driver Installation

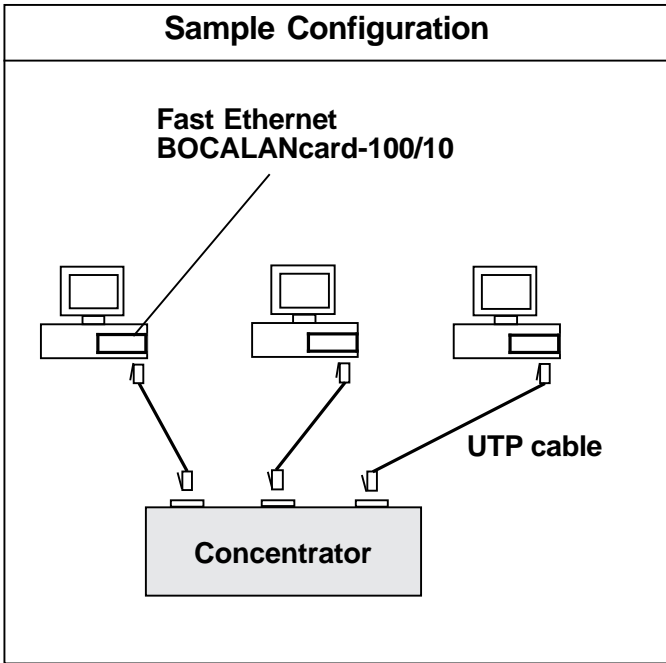
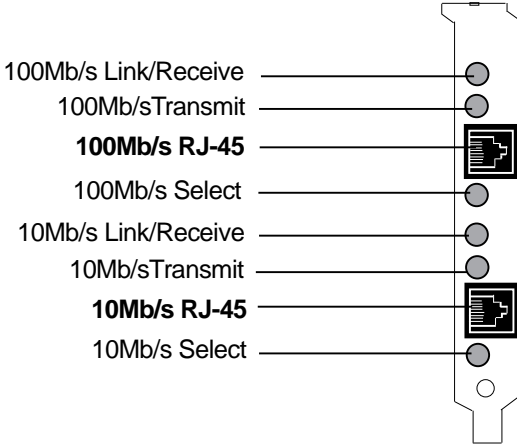
It will be necessary to install drivers after you’ve inserted the Ethernet adapter into your system. Drivers for the more popular network operating systems are included on the device driver diskette which came with this package. These drivers are standard implementations for their respective systems.

NOTE: Some network operating systems require some of their original installation diskettes. See your network installation manuals.

If you have any difficulty installing the drivers, then refer to *Section Three: Driver Installation* and Network Operating system documentation for particular instructions for your system. There is one README file in the root directory. Review this file for the latest information about drivers and installation instructions.

Troubleshooting

If the adapter does not function after you have installed it with the necessary software, be sure the adapter is seated firmly and that you have set all options correctly. If you still have difficulty, refer to *Section Four: Troubleshooting*.

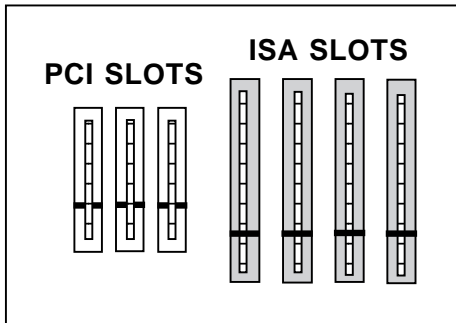


Section Two: Installation

STEP 1: Insert the Adapter

- A. Power-down your system and remove the power cord.
- B. Use a screwdriver to remove the screws which hold the cover in place. Obviously, locations and types of screws as well as type of case cover will vary based on your particular system. Refer to your computer system documentation for assistance.
- C. Carefully remove the cover. Be careful not to let the cover catch on internal cables to disk drives, controllers, or the power supply.

The BOCALANcard-100/10 must be installed in a PCI-bus Master compatible connector. There are normally three PCI expansion slots, which are shorter than standard ISA slots.



IMPORTANT: PCI slots are configured by the system BIOS, or by jumpers on the motherboard. Be sure the slot you choose is configured for one of the supported IRQs on the PCI card. Refer to your motherboard's documentation for more information.

- D. Select a PCI Local Bus compatible connector in which you will install the BE100/10 board.
- E. Remove the cover plate of the selected expansion slot if one is present. Save the mounting screw.
- F. Insert the board so that the edge connector on the bottom rear of the board mates with the PCI socket on the motherboard. Secure the board with the mounting screw you just removed.

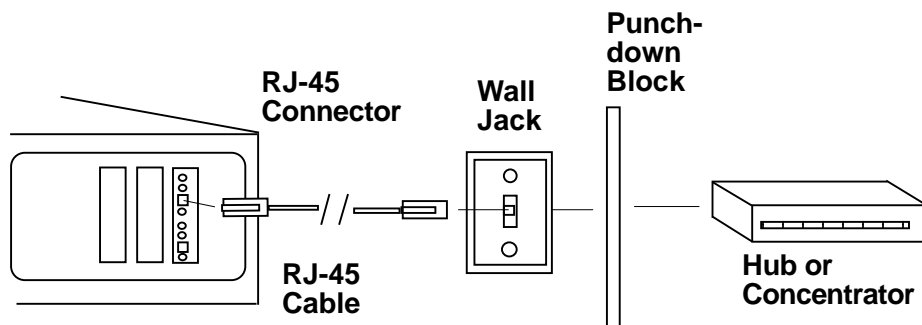
Unlike ISA-based adapter boards, the connectors are on the left side of the board (component side up).

- G. Replace the system cover and secure it with the screws you removed in step B.

STEP 2: Make Network Connections

- A. Re-attach all other external cables and power cords to their original position.
- B. Connect cables.

When attaching to an unshielded twisted-pair network, connect one end of the 10base-T cable to the RJ-45 connector on the board. NOTE: The top RJ-45 connector is for Fast Ethernet at 100Mb/sec. while the lower RJ-45 connector is for standard Ethernet at 10Mb/sec. UTP network. Attach the remaining end to a network outlet, hub, or concentrator as shown below:



Section Three: Driver Installation

To install drivers from the driver diskette to your computer's hard-disk, run the install program that is on the diskette. To run the install program, type in the following commands (depending on your system):

A:INSTALL or B:INSTALL [ENTER]

After an introductory screen, you are asked which drivers you wish to install. Follow all on-screen instructions. Please note that for some applications, such as Windows For Workgroups, you will use the setup utilities provided with those applications to load the drivers from the driver diskette. Review the README.TXT file for additional drivers and information not included in the manual or in the install program.

3.1 NDIS 3.0

3.1.1 Windows 95

1. In the Windows 95 Control Panel Group, open the Network option.
2. In the Network's Configuration applet, press the [Add...] button.
3. Click Adapter and press the [Add...] button.
4. In the Select Device dialog box, press the [Have Disk ...] button
5. When the Install from diskette dialog box prompts you for installation disk, insert the driver installation diskette into the drive, press the [Browse...] button and select the A:\WIN95 (or B:\WIN95) subdirectory.
6. Select the "BEN100/10" from the adapters list.
7. The Advanced option in the driver's Properties applet allows you to change the following:

- **BurstLength:** Specifies the length of the DMA data transfer within a PCI burst (1dword = 4 bytes)

1_dword

2_dwords

4_dwords

8_dwords

16_dwords (default)

32_dwords

- **Bus Number:** Specifies the PCI Bus Number the adapter is plugged in. Should be modified only for adapter plugged over a PCI to PCI bridge.

0 (default)

1

2

- **ConnectionType:** Specifies the selected Media port.

AutoSense. Dynamically senses the media ports supported by the adapter.

100Mbps. Connects 100BaseT Ethernet hubs

100Mbps Full_Duplex. Connects 100BaseT Full Duplex hubs

10Mbps (Default). Connects 10BaseT Ethernet hubs

10Mbps Full_Duplex. Connects 10BaseT Full Duplex hubs

- PciMechanism: Specifies the mechanism access to the PCI configuration space.

AutoDetect. Detects the system's PCI mechanism automatically.

Mechanism 1. Forces PCI mechanism #1 accesses to the PCI configuration space.

Mechanism 2. Forces PCI mechanism #2 accesses to the PCI configuration space.

- ReceiveBuffers: Specifies the size of the receive buffer's ring.

8 ... 64 (default 16)

8. Complete the driver installation.

9. Shut down and reboot the system.

10. To install multiple BE100/10 boards, repeat the procedure above.

3.1.2 Windows for Workgroups 3.11

1. In the Windows for Workgroups Network Group, open the Network Setup option.
2. In the Network Setup applet, press the [Drivers...] button.
3. In the Network Drivers applet, press the [Add_Adapter...] button.
4. Select the [Unlisted or Updated Network Adapter] option and click [OK].
5. When the Insert Driver dialog box prompts you for a disk, insert the driver installation diskette into the drive, press the [Browse...] button and select the A:\WFW311 (or B:\WFW311) subdirectory, then OK.
6. Select “BE100/10” from the Network Adapters list:
7. The driver’s [Setup...] option allows you to change the following driver’s properties:
 - BurstLength: Specifies the length of the DMA data transfer within a PCI burst (1dword = 4 bytes)
 - 1_dword
 - 2_dwords
 - 4_dwords
 - 8_dwords
 - 16_dwords (default)**
 - 32_dwords

-
- **Bus Number:** Specifies the PCI Bus Number the adapter is plugged in. Should be modified only for adapter plugged over a PCI to PCI bridge.

0 (default)

1

2

- **ConnectionType:** Specifies the selected Media port.

AutoSense: Dynamically senses the media ports supported by the adapter.

100Mbps. Connects 100BaseT Ethernet hubs

100Mbps Full_Duplex. Connects 100BaseT Full Duplex hubs

10Mbps (Default). Connects 10BaseT Ethernet hubs

10Mbps Full_Duplex. Connects 10BaseT Full Duplex hubs

- **PciMechanism:** Specifies the mechanism access to the PCI configuration space.

AutoDetect. Detects the system's PCI mechanism automatically.

Mechanism 1. Forces PCI mechanism #1 accesses to the PCI configuration space

Mechanism 2. Forces PCI mechanism #2 accesses to the PCI configuration space

- ReceiveBuffers. Specifies the size of the receive buffer's ring.

8 ... 64 (default 16)

8. Click [OK] and [Close] to complete the driver installation, then OK at the Network Setup Dialog box..
9. Exit Windows and reboot the system.
10. To install multiple BE100/10 boards, repeat the procedure above.

3.1.3 Windows NT 3.5

1. From the Windows NT Main Menu, select the Control Panel icon.
2. From the Control Panel menu select the Network icon. If a dialog box asks you “Do you want to install NT Network?” select YES and Continue.
3. You will see several messages. To add a network adapter, select Yes and then Continue.
4. For each additional message, select continue.
5. From the Add Network Adapter dialog box, scroll through the menu to select Other.
6. When the Insert Diskettes menu prompts you for a disk, insert the driver installation diskette. Type in A:\WINNT (or B:\WINNT), then select OK.
7. Select “BEN100/10” from the Select OEM Option box, then select OK.
8. A Dialog box pops up to select the:

- **ConnectionType:**

AutoSense. Dynamically senses the media ports supported by the adapter:

100Mbps (Default). Connects 100BaseT Ethernet hubs

100Mbps Full_Duplex. Connects 100BaseT Full Duplex hubs

10Mbps. Connects 10BaseT Ethernet hubs

10Mbps Full_Duplex. Connects 10BaseT Full Duplex hubs

9. Upon completion, the BE100/10 appears in the Installed Adapter Cards list of the Network Setting box (n is the adapter number).
10. Click on [Close] to complete the Network Setting initialization.
11. Shut down and reboot the system.
12. To install multiple BE100/10 boards, repeat the procedure above.

3.2 NDIS 2.0

Various network operating systems (LAN Manager, Windows for Workgroups, and Pathworks) provide utility programs for installing drivers.

This installation diskette provides support for these utility programs, **FOR THE FIRST BOARD INSTALLED ONLY**. If multiple boards are installed, the second and subsequent boards must be installed manually. (Consult the Appendix).

3.2.1 Installing the NDIS2 DOS driver

Installation with Microsoft LAN Manager 2.x

Automatic installation using the LAN Manager Setup Program:

1. Start the LMSETUP program.
2. Select <Configuration> from the Main Menu.
3. Select <Network Driver> from the Configuration Menu.
4. Remove the old adapter using <Remove Configuration>.
5. Select <Add Configuration>.
6. Select <Other Drivers> and follow the directions.

Installation with Microsoft Windows for Workgroups Version 3.1

Automatic installation using the Network Setup Program

1. Select the Control Panel icon.
2. Select the Network Program icon.
3. Select <Adapter> option.
4. Select <Remove> to remove the old adapter.
5. Select <Add> to add the BE100/10 adapter.
6. Select <Unlisted or Updated Network Adapter>.
7. Type in A:\NDIS2 (or B:\NDIS2) when prompted for path, and follow the Windows for Workgroups instructions.
8. Select “BE100/10” from the Network Adapter list.
9. After completing the adapter and driver installation, edit your CONFIG.SYS (in your C:\ directory) and add the line: DEVICE=C:\WINDOWS\DC21X4.DOS **after** the line DEVICE=C:\WINDOWS\PROTMAN.DOS... and **before** the line DEVICE=C:\WINDOWS\WORKGRP.DOS.

3.2.2 Installation with PATHWORKS for DOS Version 4.1

NOTE: The Pathworks scheduler (SCHK) must be started with the switch /N. If /N is not used, initialization may fail with the following message:

“No NIS Interrupt Activity. Maybe NI_IRQ set wrong or cable not attached or hardware/DLL broken”

Automatic Installation for DOS Pathworks Using the Netsetup Utility:

If you install PATHWORKS for the first time or update it using installation program NETSETUP respond to the following prompts as shown

1. Select your desired choices for:

Type of configuration

Destination Drive (boot device)

LK250 Keyboard setup information.

2. Select <Ethernet> network adapter type.

3. Select <Other NDIS> Ethernet adapter.

4. For full DRIVE:\PATH\FILENAME for NDIS driver, enter

A:\NDIS2\DC21x4.DOS (or B:\...)

5. For full DRIVE:\PATH\ for the PROTOCOL.INI stub, enter A:\NDIS2\DC21x4.DOS (or B:\...).

The files are copied from this installation diskette to its directory.

NOTE: If PATHWORKS is updated using the NETSETUP installation program, we suggest you back up the CONFIG.SYS and PROTOCOL.INI files before starting NETSETUP.

3.2.3 Installing the NDIS2 OS/2 driver

Installation with Microsoft LAN Manager 2.x for OS/2

Automatic installation using the LAN Manager Setup Program:

1. In the \LANMAN directory, start the SETUP program
2. Select <Configuration> from the Main Menu.
3. Select <Network Driver> from the Configuration Menu.
4. Remove the old adapter using <Remove Configuration>.
5. Select <Add Configuration>.
6. Select <Other Drivers> and follow the directions.

3.3 Novell ODI DOS Client

To install the Novell NetWare ODI Client Device Driver:

1. Run the Install program to copy the files from the following directory to a user- specified directory:

A:(or B:)\NOVELL\WKSTN\DOSODI

2. Copy the following files provided by Novell to the same user-specified directory as step 1:

LSL.COM (version 2.11 or higher)

IPXODI.COM (version 2.20 or higher)

NETX.COM or VLM.EXE (version 1.11 or higher)

3. Edit the NET.CFG file if necessary to select protocol and media type options.

NOTE: THERE IS NO NEED TO SPECIFY SLOT NUMBER, BUS ID OR INTERRUPT NUMBER! If you specify Bus ID please note that for PCI bus you write BUS ID PCI 4 in NET.CFG.

If you specify Slot Number please note that SLOT 1 means the first board found in system.

4. To connect to a server, use the following loading sequence:

LSL
DC21X4
IPXODI
NETX or VLM
LOGIN

Parameters

The following parameters can be used in order to control part of the driver's operation.

These parameters are added to the driver's entry in NET.CFG. For NetWare standard parameters, please refer to NetWare user's manual.

TP_FULL_DUPLEX selects twisted pair connection to work in full duplex mode.

TURBO fixes a problem of multiple transmit underflow and receive overflow (i.e., loss of packets) in systems that use certain PCI chipsets.

LINE_SPEED selects line speed between 10Mbps and 100Mbps.

Format: **LINE_SPEED** <value>

Allowed values are: 10,100

3.4 Novell ODI Server

3.4.1 NetWare v3.1x Installation

1. Copy the `\NOVELL\SERVER\3.1X\DC21X4.LAN` to the `SYS:\SYSTEM` directory on the NetWare server.
2. Add to your `AUTOEXEC.NCF` the line required to load the `DC21X4.LAN` and bind it. Refer to the sample `AUTOEXEC.NCF` for more information (according to the type of NetWare you are using, i.e. v3.1x or 4.x).

3.4.2 NetWare v4.x Installation

1. On the server's prompt type: `LOAD INSTALL`
2. When the install program comes up, choose the menu item that refers to `NETWORK DRIVERS`. Note that this menu item is on different place on different NetWare versions (i.e., v4.0x vs. 4.1x).
3. Install the network driver:
`\NOVELL\SERVER\4.X\DC21X4.LAN` according to the NetWare manual, or use the on-line instructions and help.

Parameters

The following parameters belong on the server's command line, or in the load line inside the AUTOEXEC.NCF. The general way of using these parameters is:

```
LOAD <driver name> <PARAMETER NAME>...  
<PARAMETER NAME[=VALUE]>
```

Example:

```
LOAD <driver name> TURBO SLOT=16  
FRAME=Ethernet_802.2
```

Driver specific parameters list: (as for NetWare standard parameters, please see the NetWare user's manual):

TP_FULL_DUPLEX selects twisted pair connection to work in full duplex mode.

TURBO fixes the problem of multiple transmit underflows and receive overflows (i.e. loss of packets) in systems that use certain PCI chipsets.

BIOS16 instructs the driver to access the PCI BIOS using 16-bit real mode calls, instead of the PCI32 mechanism. This is not recommended, and should be used **ONLY** on motherboards that have a known problem in the PCI BIOS implementation.

LINE_SPEED selects line speed between 10MBPs and 100MBPs.

Format: **LINE_SPEED**=<value>

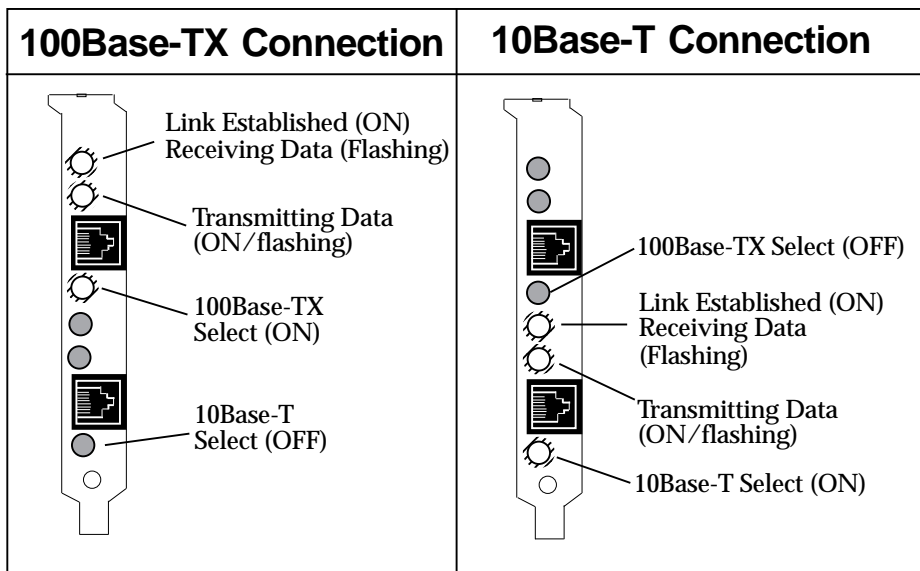
Allowed values are: 10,100

Section Four: Troubleshooting

If you encounter difficulties with your Boca Ethernet product, the problem may be a faulty installation or configuration settings which conflict with other devices.

Check the following:

- **STATUS LEDs.** The Boca Ethernet adapters have six LEDs that are visible from the bracket-edge of the board as shown below:



- **BOARD SETTINGS.** If you are using a Novell network, make sure that the settings in the NET.CFG file are correct. Also, when DC21X4.COM is executed, NET.CFG must be in the current default directory.

If you are using another type of network (NDIS, etc.), read the driver installation instructions again to be sure that all settings are correct.

Review the installation again and check software setup.

- **MAKE SURE THAT THE NETWORK YOU ARE CONNECTED TO IS FUNCTIONING.**
- **REPLACE THE ADAPTER WITH ANOTHER KNOWN TO FUNCTION AND TRY TO LOGIN AGAIN.**
- **TRY THE ADAPTER IN A DIFFERENT COMPUTER.**
- **MAKE SURE THE ADAPTER HAS BEEN INSERTED IN A PCI-BUS MASTER SLOT.**
- **MAKE SURE YOU ARE USING THE DC21X4 DRIVERS. YOU CANNOT USE NE2000 DRIVERS WITH THE BE100/10.**

If none of the above isolates and solves the problem, refer to Appendix C: Servicing Your Boca Product.

Appendix A: Specifications

- Ethernet controller: Digital Equipment DC21140
- Topology: Star
- Connectors: Two RJ-45 connectors (10Mb or 100Mb)
- Diagnostic LEDs: Transmit; link/receive
- Network cabling: Category 3/4/5 UTP or STP cable for 10Mbps network speed
Category 5 UTP or STP cable for 100Mbps network speed

Appendix B: FCC Compliance

This equipment has been tested and found to comply with the limits for a Class A digital device, pursuant to Part 15 of the FCC Rules. These limits are designed to provide reasonable protection against harmful interference when the equipment is operated in a commercial environment.

This equipment generates, uses, and can radiate radio frequency energy and, if not installed and used in accordance with the instructions, may cause harmful interference to radio communications. Operation of this equipment in a residential area is likely to cause harmful interference in which case users will be required to correct the interference at their own expense.”

**CHANGES OR MODIFICATIONS TO THIS
EQUIPMENT NOT EXPRESSLY APPROVED BY THE
MANUFACTURER COULD VOID YOUR AUTHORITY
TO OPERATE THE EQUIPMENT.**

Appendix C: Servicing Your Boca Product

If your Boca product requires service, first contact the authorized dealer from whom you purchased the product. If the dealer is unable to assist you, and you must contact Boca Research, Inc., please follow the instructions below. Our electronic BBS is available 24 hours a day at (407) 241-1601 and will support data transmission speeds up to 28.8Kbps with settings of N, 8, 1. If you have a modem, the BBS may be helpful (especially during off hours) if you have a question about product settings or compatibility, or if you wish to download driver software or utilities.

If the Troubleshooting section did not resolve your problem, you may call our technical support staff for assistance. If you haven't referred to the Troubleshooting section, there's a good chance the solution to your problem is there.

NOTE: CALLING TECHNICAL SUPPORT WITHOUT COMPLETE AND ACCURATE INFORMATION CONCERNING YOUR PROBLEM MAY BE BOTH TIME-CONSUMING AND FRUSTRATING FOR YOU.

1. When calling Boca Research Technical Support, have the following information available:

**Board name and part #
(located on the board)**
Computer manufacturer
Computer model
Peripherals in system
Operating system and version

If you suspect a problem with a specific program or software package, make note of the name, version or release number, and manufacturer of the software.

2. Call Boca Research Technical Support Department between the hours of 8:00 a.m. and 6:30 p.m. Monday through Friday EST at (407) 241-8088. A technical support specialist will be available to discuss the problem(s) you are experiencing. If factory service is required, you will be given a Return Merchandise Authorization (RMA) number. **PLEASE PLACE THIS NUMBER ON THE OUTSIDE OF THE**

PACKAGE when you return the item(s) for service and reference it on any correspondence included in the package. Boca Research, Inc. will return any product which is not accompanied by an RMA number.

3. Refer to the Warranty Statement if the product is covered under the five-year Boca Research, Inc. Limited Warranty.
4. Certain parts will not be covered under the Boca Research, Inc. Limited Warranty. Dealer installed parts are warranted by the dealer. Parts which you have installed yourself are covered only by the suppliers warranties. In these cases, Boca Research, Inc. can identify which parts are defective, but will not replace such parts until we receive written authorization from you. Cost of parts and labor involved in making such repairs will be billed to you C.O.D.
5. When returning the product to Boca Research, Inc. for repairs, please be sure to include:

- the Boca Research product (board only)
- copy of the original invoice
- your return street address (for UPS purposes),
- your phone number,
- the RMA number mentioned above.

Package the product securely in a container equivalent to the original packaging, and insure the package to protect against loss or damage during transit. Shipping charges must be prepaid; C.O.D. shipments will not be accepted. Please use the address below for all correspondence:

Boca Research, Inc.
RMA Department - RMA # _____
1601 Clint Moore Road
Boca Raton, FL 33487-2841

6. If the repairs performed on your product were covered by the warranty, Boca Research, Inc. will return it prepaid via UPS.

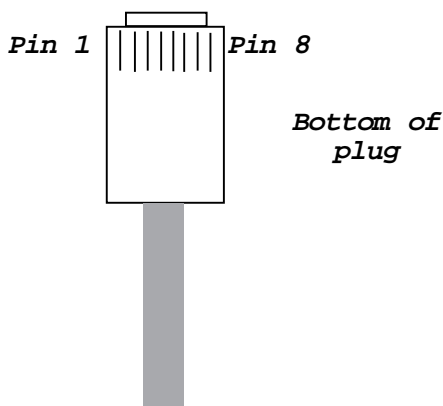
Appendix D: Pin-Out Assignments

Pin-out assignments for the 10BASE-T connector are as follows:

Boca's Ethernet products use an 8-pin 10BASE-T connector. The pin assignments are as follows:

- 1 Tx+
- 2 Tx-
- 3 Rx+
- 6 Rx-

8-pin RJ45 Connector



Appendix E: Manual Installation of Drivers

Manual Installation for DOS LAN Manager

If LAN Manager is already installed and configured and you do not wish to use the installation program, you have to perform the following steps manually:

1. Create DC21x4 Driver directory.

:LANMAN.DOS\DRIVERS\ETHERNET\DC21x4

2. Copy the files:

MSLANMAN.DOS\DRIVERS\ETHERNET\DC21x4\DC21x4.DOS

and

MSLANMAN.DOS\DRIVERS\ETHERNET\DC21x4\PROTOCOL.INI

to the new directory.

3. Copy the file:

MSLANMAN.DOS\DRIVERS\ETHERNET\DC21x4\DC21x4.NIF

to the directory:

:LANMAN.DOS\DRIVERS\NIF

-
4. Add the following line to your CONFIG.SYS to load the driver:

```
DEVICE=<DRIVE>:\LANMAN.DOS\DRIVERS\ETHERNET\DC21x4\DC21x4.DOS
```

5. Modify your PROTOCOL.INI file using any DOS Editor by appending the PROTOCOL.INI stub (included with this kit) to the end of your old PROTOCOL.INI file. The stub contains the following information:

```
[DC21x4_NIF]  
DRIVERNAME=DC21X4$
```

6. Modify TCPIP_XIF and NETBEUI_XIF modules in the PROTOCOL.INI file by changing the value of the BINDINGS keyword

```
from BINDINGS = driverlabel  
to   BINDINGS = DC21x4_NIF
```

Manual Installation for Windows for Workgroups 3.1

If you do not wish to use network installation program 'Network' from the Control Panel icon, you have to perform the following steps manually:

1. Copy the \NDIS2\DC21x4.DOS file from the driver diskette to the Windows directory

2. Add the following line to the CONFIG.SYS:

```
DEVICE=<DRIVE>:\WINDOWS\DC21x4.DOS
```

3. Modify your PROTOCOL.INI file using any DOS Editor by appending the PROTOCOL.INI stub (included with this kit) to the end of your old PROTOCOL.INI file. The stub contains the following information:

```
[DC21x4]  
DRIVERNAME=DC21X4$
```

4. Modify the NETWORK.SETUP and MS\$NETBEUI sections of your PROTOCOL.INI file as follows:

```
[network.setup]  
version=0x3100  
netcard=DC21x4,1,DC21x4  
transport=ms$netbeui,MS$NETBEUI  
lana0=DC21x4,1,ms$netbeui
```

```
[MS$NETBEUI]  
DriverName=netbeui$  
SESSIONS=6  
NCBS=12  
BINDINGS=DC21x4  
LANABASE=0
```

Manual installation for DOS Pathworks

1. Copy the DC21x4.DOS file from this installation kit to the PATHWORKS directory. For example:

```
C:\DECNET>copy A:\NDIS2\DC21x4.DOS (or B:\...)
```

2. Add the following line to your CONFIG.SYS to load the driver:

```
DEVICE=<drive>:\DECNET\DC21x4.DOS
```

3. Modify your PROTOCOL.INI file using any DOS Editor by appending the PROTOCOL.INI stub (included with this kit) to the end of your old PROTOCOL.INI file. The stub contains the following information:

```
[DC21x4.DOS]  
DRIVERNAME=DC21X4$
```

4. Modify the DATALINK and IPX4MAC sections of your PROTOCOL.INI file. Change the value of the BINDINGS keyword

```
from BINDINGS = driverlabel  
to   BINDINGS = DC21x4.DOS
```

Manual Installation for OS/2 LAN Manager

If LAN Manager is already installed and configured and you do not wish to use the setup program, perform the following manual steps:

1. Create DC21x4 Driver directory.

```
: \LANMAN\DRIVERS\ETHERNET\DC21x4
```

2. Copy the files:

```
\MSLANMAN.OS2\DRIVERS\ETHERNET\DC21x4\DC21x4.OS2
```

and

```
\MSLANMAN.OS2\DRIVERS\ETHERNET\DC21x4\PROTOCOL.INI
```

to the new directory.

3. Copy the file:

```
\MSLANMAN.OS2\DRIVERS\NIF\DC21x4\NIF
```

to the directory

```
: \LANMAN\DRIVERS\NIF.
```

4. Add the following line to your CONFIG.SYS to load the driver:

DEVICE=<DRIVE>:\LANMANDRIVERS\ETHERNET\DC21x4\DC21x4.OS2.

5. Modify your PROTOCOL.INI file using any OS/2 Editor by appending the PROTOCOL.INI stub (included with this kit) to the end of your old PROTOCOL.INI file. The stub contains the following information:

```
[DC21x4_NIF]
DRIVERNAME=DC21X4$
```

6. Modify TCPIP_XIF and NETBEUI_XIF modules in the PROTOCOL.INI file by changing the value of the BINDINGS keyword

```
from  BINDINGS = driverlabel
to    BINDINGS = DC21x4_NIF
```

Appendix F: Installing Multiple boards

To install more than one board, follow the manual installation procedures for your operating environment then add '2' (or '3', etc.) after 'DC21x4' in the PROTOCOL.INI file (so that each driver name and section is unique).

In other words, the drivers' device names are DC21x4\$, DC21x42\$, DC21x43\$, DC21x44\$, etc.

SLOT must be specified for multiple boards.

Here is an example of the PROTOCOL.INI for two DC21x4 boards installed under Windows for Workgroups, using Twisted Pair:

```
[network.setup]
version=0x3100
netcard=DC21x4,1,DC21x4
netcard=DC21x42,1,DC21x42
transport=ms$netbeui,MS$NETBEUI
lana0=DC21x4,1,ms$netbeui
lana1=DC21x42,1,ms$netbeui
```

```
[protman]
DriverName=PROTMAN$
PRIORITY=MS$NETBEUI
```

[MS\$NETBEUI]

DriverName=netbeui\$

SESSIONS=10

NCBS=32

BINDINGS=DC21x4,DC21x42

LANABASE=0

[DC21x4]

DriverName=DC21x4\$

SLOT=16

[DC21x42]

DriverName=DC21x42\$

SLOT=17

Appendix G: PROTOCOL.INI Parameters

The PROTOCOL.INI file stores configuration and binding information. It consists of a series of named sections, where the section name is in fact the module name from a module characteristics table. A set of configuration settings for the module in format is as follows.

Keyword = value

where value - appropriate value for corresponding Keyword.

The following sections describe the PROTOCOL.INI settings used for the BE100/10 driver, their default values, the range of values that can be given and value units.

Required Keyword

DRIVERNAME. Specifies the network device driver.

DRIVERNAME=DC21x4n\$, where n is empty for the first board, 2 for the second, etc.

units:[text]

range:[DC21Xx4\$ - DC21x48\$]

default:[DC21x4\$]

Optional Keywords in the DC21x4 section

SLOT. Specifies where the BE100/10 adapter is placed.

- A number from 1 to 15 specifies a slot number on the EISA bus
- A number from 16 to 26 specifies the relative position of an adapter on the PCI bus. 16 specifies the first BE100/10 adapter on the PCI bus, 17 the second such adapter, and so on.

If the slot value is not specified or is specified as 0, the driver scans for an EISA adapter; if no EISA adapter is found, it then scans for a PCI adapter.

Slot

units:[integer]

range:[1-26]

default:[16]

TP_FULL_DUPLEX. Specifies Full Duplex operation via the Twisted Pair transceiver. The adapter should be connected to another Ethernet station with a cable suitable for Full Duplex mode.

DATA_RATE. Defines the data rate at which the BE100/10 will operate.

MB10 specifies a data rate of 10Mb (Suitable for standard Ethernet)

MB100 specifies a data rate of 100Mb (suitable for fast ethernet). The keyword is valid only if the physical 100Mb port is connected to the net. The default is MB100.

SOFTWARE_CRC. Controls whether packet CRCs are calculated by software or appended by the BE100/10.

ENABLED means that the CRC will always be calculated by software, for packets greater than 144 bytes.

DISABLED means that the CRC will never be calculated by software (always appended by the BE100/10).

<absent> If this keyword does not appear in PROTOCOL.INI, packet CRCs will be calculated by software for DC21x4 chip revisions A-H (for packets longer than 144 bytes), and will be appended by the DC21x4 for chip revision J and later.

SOFTWARE_CRC

units:[text]

range:[ENABLED, DISABLED, <absent>]

default:[<absent>]

NUM_TX_BUFFERS. Specifies the number of transmit buffers the driver should use. The number of transmit buffers may vary between 4 and 16.

If this value is not specified, or the keyword is absent, the default number of transmit buffers is 8.

If the combined number of transmit and receive buffers is large, problems may arise. Specifically, in OS/2 environments the driver may be unable to load.

NUM_TX_BUFFERS

units:[integer]

range:[4-16]

default:[8]

NUM_RX_BUFFERS. Specifies the number of receive buffers the driver should use. The number of receive buffers may vary between 4 and 16.

If this value is not specified, or the keyword is absent, the default number of receive buffers is 12.

If the combined number of transmit and receive buffers is large, problems may arise. Specifically, in OS/2 environments the driver may be unable to load.

NUM_RX_BUFFERS

units:[integer]

range:[4-16]

default:[12]

TURBO. Controls whether host-to-PCI posting (HPPE) will be enabled or disabled. This is relevant only if the system's host-to-PCI bridge is INTEL's 82424 (CDC) or 82434 (PCMC) bridge.

ENABLED means that HPPE will be disabled. This may improve the performance of the BE100/10.

DISABLED means that the system configuration will remain as it is with no intervention by the driver.

<absent> If this keyword does not appear in PROTOCOL.INI, the driver will do nothing and leave system settings as they are.

TURBO

units:[text]

range:[ENABLED, DISABLED, <absent>]

default:[<absent>]

Limited Warranty

Boca Research, Inc. (BRI) warrants to the original buyer of this BRI product that the hardware is free of defects in materials and workmanship for a period of five (5) years from the date of purchase from BRI or an authorized dealer ("the Warranty Period"). Should the product fail to be in working order at any time during the five-year period, BRI, will at its option, repair or replace this product as described below, provided that in BRI's sole determination the part or product has not been abused, misused, repaired, or modified.

All products will be serviced and returned via ground at no charge to customers DURING the first year of service.

All returns for limited warranty service require a Return Merchandise Authorization (RMA). All customers are required to demonstrate proof of purchase when requesting an RMA. The period of warranty commences on the date of purchase. A dated copy of the sales slip must be included with the returned merchandise.

Products which require Limited Warranty service during the warranty period should be delivered to BRI at the address in the Appendix (Servicing Your Boca Product) with proof of purchase, copy of canceled check (if any), and the Return Merchandise Authorization (RMA) number provided by BRI Technical Support. Refer to the Appendix in this manual. Replacement parts or complete products will be furnished on an exchange basis only. Replaced parts and/or products become the property of BRI.

If the returned product is sent by mail, the purchaser agrees to prepay shipping charges, insure the product or assume the risk of loss or damage which may occur in transit, and to use a shipping container equivalent to the original packaging. BRI does not make any warranties in respect to the product, either expressed or implied, including no implied warranties of merchantability or fitness for a particular purpose, except as expressly provided in this agreement. If any labor, repair, or parts replacement is required because of accident, negligence, misuse, theft, vandalism, fire, water or other peril; or because of conditions outside of specifications, including, but not limited to, electrical power, temperature, humidity or dust; or by moving, repair relocation, or alteration not performed by BRI, or by any other cause other than normal use, the warranty and maintenance obligations provided herein shall not apply.

BRI SHALL NOT BE LIABLE FOR ANY SPECIAL, INCIDENTAL, OR CONSEQUENTIAL DAMAGES OR FOR LOSS, DAMAGE, OR EXPENSE DIRECTLY OR INDIRECTLY ARISING FROM CUSTOMER'S USE OF OR INABILITY TO USE THE EQUIPMENT EITHER SEPARATELY OR IN COMBINATION WITH OTHER EQUIPMENT, OR FOR PERSONAL INJURY OR LOSS OR DESTRUCTION OF OTHER PROPERTY, OR FROM ANY OTHER CAUSE.

This warranty shall not be applicable to the extent that any provision of this warranty is prohibited by any Federal, state, or municipal law which cannot be preempted. This warranty gives you specific legal rights, and you may also have other rights which vary from state to state.

Software License Agreement for the Boca Research (BRI) Products

Boca Research, Inc. (BRI) grants the owner permission to use BRI software upon adherence to the terms and conditions of this agreement.

1. The use of BRI software will be limited to computers that contain the BRI board.
 2. Any reproductions of the BRI software are also subject to this agreement.
 3. BRI software is not to be modified in any way; it should be used in its original form.
 4. Should a change in ownership occur, these three conditions **MUST** be met:
 - the BRI board must also be transferred to the new owner.
 - any copies of the BRI software which are not being transferred must be destroyed.
 - the new owner must abide by the terms presented in this agreement.
 5. BRI remains the copyrighted owner of the BRI software. The **ONLY** rights given to the licensee are those which have been provided for under this agreement.
 6. **UNDER NO CIRCUMSTANCES WILL BRI BE HELD LIABLE IN ANY WAY TO ANY PURCHASER FOR DAMAGES, LOST REVENUE, LOST WAGES OR FOR ANY OTHER INCIDENTAL OR CONSEQUENTIAL DAMAGES OF ANY KIND WHETHER COVERED UNDER THIS AGREEMENT OR OTHERWISE. THE BRI SOFTWARE IS NOT WARRANTED IN ANY WAY AND ITS USE IS THE SOLE RESPONSIBILITY OF THE LICENSEE FREE FROM ANY EXPRESSED OR IMPLIED WARRANTIES OF MERCHANTABILITY AND FITNESS FOR A PARTICULAR PURPOSE.**
 7. BRI provides a five year warranty for the media on which the BRI software is furnished. This warranty is limited to defects in materials and workmanship; it does not cover the functions provided by the BRI software. This license is subject to termination upon breach of this agreement. The BRI software and any copies must be destroyed or returned to Boca Research, Inc.
 8. BRI reserves the right to make modifications to the software without any prior notice.
 9. This license is governed by the laws of Florida.
-

Copyright

©1995 Boca Research, Inc. All rights reserved. No reproduction of this document in any form is allowed without permission in writing from Boca Research, Inc. Boca Research is not liable for any damages resulting from technical or editorial errors or omissions contained in this document. The information in this manual is subject to change without notice. Revisions to the product(s) in this manual may occur at any time without notice.

Trademarks

All Boca Research products are trademarks of Boca Research, Inc. All other references to computer systems, software, and peripherals use trademarks owned by their respective manufacturers.

Publication Date: May, 1995
Printed in the U.S.A.

BE100_10.PM5



Manual Part # 9467
Rev. 1.0