

## 14" CDU1435LE/HA83 COLOUR DISPLAY UNIT

Manufactured by **HANTAREX**, this unit bears the label **CDU 1435LE/HA83** on the rear of its casing and is listed in the Progetto di Gestione as **DSM 27-140/LE**. It has virtually the same disassembly procedures and adjustments as the earlier **CDU 1435S/HA81** (Chapter 19) and **CDU 1435S/HA82** (Chapter 22) models. The differences, mainly due to the installation of the autosize board, are explained in the sections that follow.

### INTERNAL VIDEO ADJUSTMENT

#### VIDEO AMPLIFIER BOARD

32

RV1	Red cut off (black level) adjustment
RV2	Green cut off adjustment
RV3	Blue cut off adjustment
RV4	Red gain adjustment
RV5	Blue gain adjustment
RV6	Contrast preset

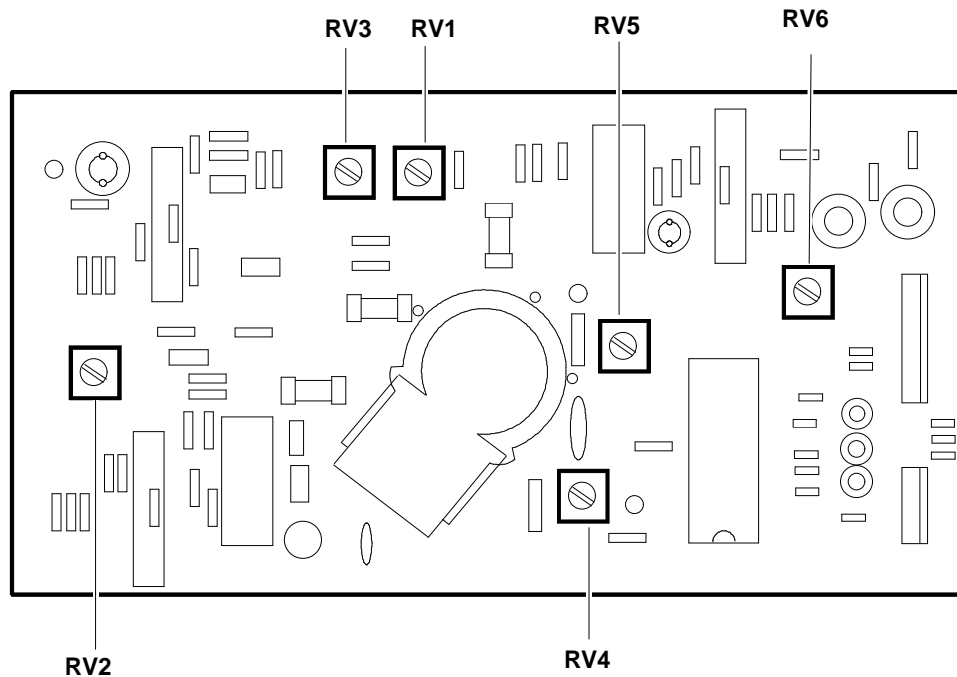


Fig. 32-1 Video amplifier board adjustments

## MAIN BOARD

RV101	Switched mode power supply output voltage regulation
RV107	Horizontal shift adjustment (VGA standard 31 KHz)
RV102	Beam adjustment
RV104	Vertical amplitude adjustment for 350 line mode (VGA 31 KHz)
RV105	Vertical amplitude adjustment for 400 line mode (VGA 31 KHz)
RV106	Vertical amplitude adjustment for 480 line mode (VGA 31 KHz)
RV111	Vertical linearity adjustment
RV110	Frequency adjustment
RV112	Vertical shift adjustment
RV113	E-W (Pincushion ) distortion removal
RV108	Horizontal amplitude adjustment
G2 ADJ	G2 grid (SCREEN) adjustment
FOCUS	G3 grid (FOCUS) adjustment
L106	Horizontal linearity adjustment coil
RV103	Level frequency 31/35 KHz

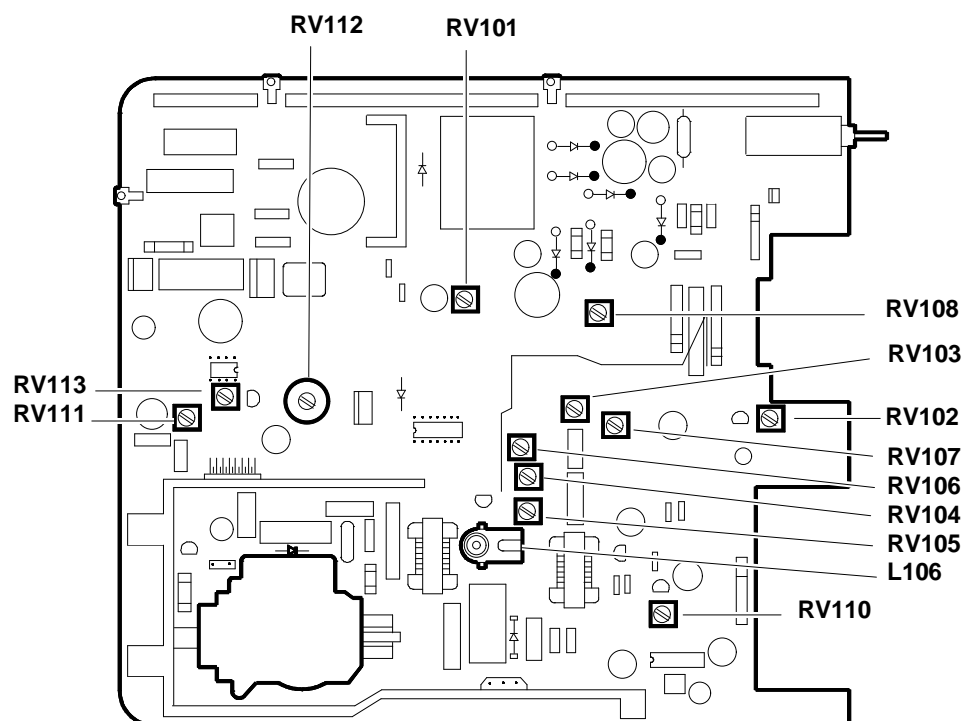


Fig. 32-2 Main Board Adjustment

**AUTOSIZE BOARD**

RV601	Vertical amplitude 56 Hz adjustment
RV602	Phase 35 KHz adjustment
RV603	Horizontal amplitude 35 KHz adjustment
RV605	Vertical amplitude adjustment

32

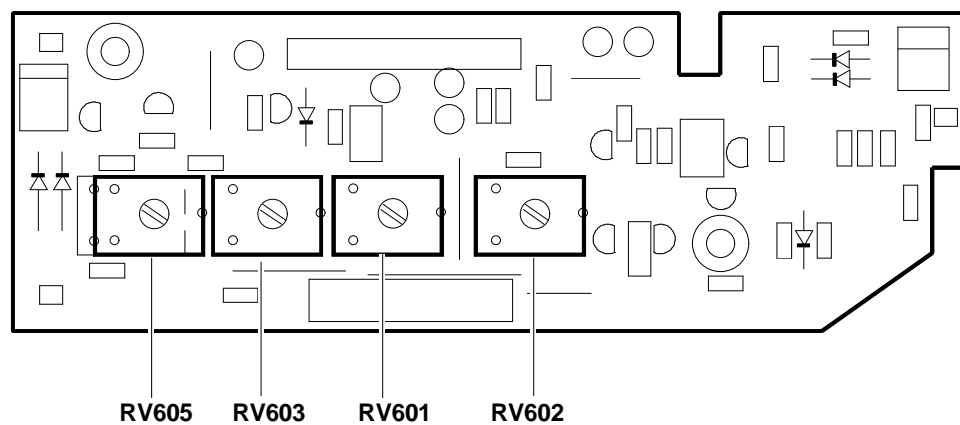


Fig. 32-3 Autosize board adjustment