



← BACK All Brands

FIND ▶

My Shopping Cart 0 Items

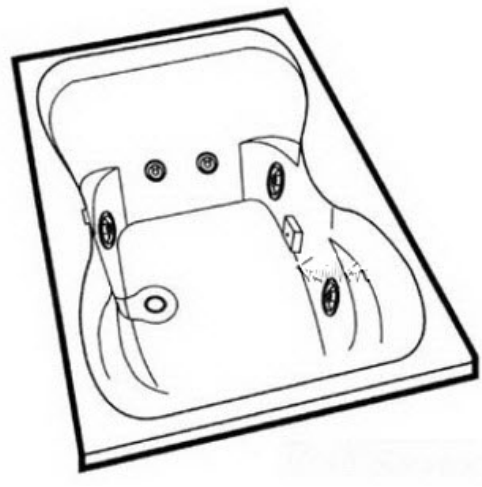
My Wish List 0 Items

Finding your replacement part is easy... Simply search for your part by:

- Brand
- Part Number
- Model Number
- Product Location
- Type of Part
- Send us a picture

Order :: Jacuzzi H522000;

Part Description:
 Jacuzzi H522000; Mito 6 (R); 1996 Builder Series Whirpool (LH) left hand 4 HTC / 2 BMH jets .75 hp / 1.5 hp pump motor 10.0 amp 115 volt 15 amp technical parts breakdown owners manuals Specifications Catalog | K243000; BE20; H523; DZ95 |



View Larger

Can't Find it?

Enter the [part number](#) or description here:

[GO](#)

- OR -

Enter the [model number](#) or fixture name here:

[GO](#)

Still Can't Find it?



* [Let us help you](#)
 * Fax us 305.223.4420

Send Us a Picture

Recently Viewed

Jacuzzi H522000; Mito 6 (R);

Order Replacement Parts:



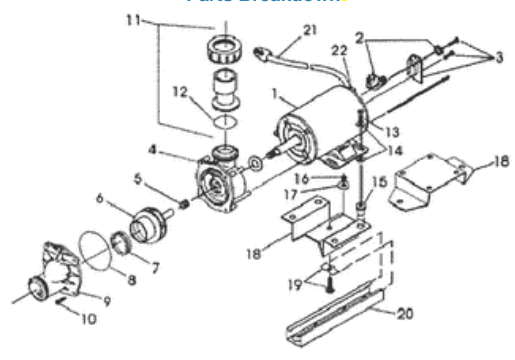
Jacuzzi ® Bath J-Pump / White Pump / Control Panel / Jets Parts / Suction Catalog for Jacuzzi 9249000 Y660000 Y658000 C848000 C146000 HB21000 8501000 8502000 9011000 8566000
www.guillens.com Printable www.jacuzziiparts.com



Jacuzzi ® BATH J-Pump with air switch Parts Catalog / & White Pumps

PARTS DRAWING

J-Pump Black Used from 1991 - Present
 Parts Breakdown:

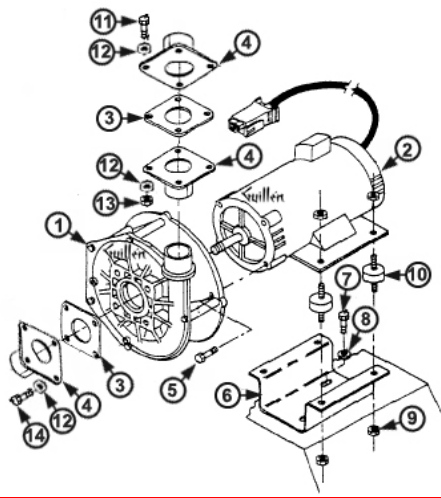


Parts links cells shown at right are color coordinated to match the Low or High Pumps.
 Yellow = Low Pumps below 10 amps
 Green = High Pumps above 16 amps



White Pump Used 1980 -1992

Fig	P/N	Part Description
J-Pump Black Used from 1991 - Present		
n.s	HB21000	Low Motor - Pump Assembly, 7.5 amp 115v Replaces .75 hp J-Pump (Most Common)
4-10	BG94000	Low Motor - Pump Assembly, 7 amp 115v
4-10	CE35000	Low Motor - Pump Assembly, 10 amp 115v
4-10	Y660000	Low Motor - Pump Assembly, 7 amp 115v
4-10	Y658000	Low Motor - Pump Assembly, 4.8 amp 115v
4-10	DA31000	Low Motor - Pump Assembly, 4.8 amp 115v
4-10	C848000	High Motor - 1.5 hp Pump Assembly, 16 amp 115v
Note: Pump Assemblies do not include # 11		
1	C049000	Motor Assembly only, Low 10 amp, w/air switch
1	S135000	Motor Assembly only, Low 7.8 amp, w/air switch
1	S873000	Motor Assembly only, High 16 amp, w/air switch
2	7396000	Switch, SPDT, 21 Amp, Air Actuated
N.S.	N186000	Air Tube Compression Nut
N.S.	6627000	Air Tube Clear 6 feet on / off Switch Button
3	E698000	Enclosure, Air Switch
4	F156000	Bracket, J-Light
5	9245000	5/8" Mechanical Seal
6	9221000	Impeller, Low, J-Pump



**Air Control Panels & Air Button On / Off
Used 1990 - Present**

RELATED COMPONENTS
The J-Pumps assemblies shown here are activated via an air button in the topside control panel.
Most common used a 3 position on-off control panel G107xxx

OTHER AIR CONTROL PANEL KITS

G105XXX	3 Air volume kit
G106XXX	3 Position On-Off Panel
G107XXX	3-P Complete On-Off control
G108XXX	3 Position Aeroflo On-Off
8241XXX	2 Position Control Panel
D851XXX	1 Position Control Panel
8516000	Air Switch Sqaure Acuator on / off J-Box

Control Air Panels - Used 1980 - 1990

2124000	(Air Box) 2 - Knob Control Panel
-------------------------	------------------------------------

Electronic Control - Used 1980 - 1986

9210000	J-box Magic touch sensor on / off
2514000	Timer 30 Minutes

Lights

8019000	Transformer Light 6 Feet (J-Box)
8020000	Transformer Light 13 Feet (J-Box)
T438000	Cord Light 14-3 x 42" inch
7738000	Light with Air Actuated

Suction

2031XXX	Suction Box Plastic	Used 1980 - 1985
3282XXX	Suction Square Metal Plate	Used 1980 - 1985
6651XXX	Suction Square Plastic	Used 1985 -Present

6	G117000	Propeller, High, J-Pump
7	9243000	Eye Seal
8	9246000	O-Ring
9	F157000	Suction Flange, J-Light
10	F158000	Screw, Hex, Wshr Hd, 1/4-14 x 1.00"L
11	9250000	Repair Kit, Union Adapter (Requires 2 sets)
12	9231000	O-Ring, Union
13	3945832	Bolt, Hex, 1/4-20 x 1.00"L
14	3982832	Washer, 1/4 Flt, Type A Pin Wd Ser
15	9216000	Wellnut, Rubber, 1/4-20
16	4034832	Nut, Locking Hd Kep Type, 1/4-20
17	4006832	Washer, 1/4 Flt, Type B Pin Wd Ser
18	9217000	Bracket, Motor
18	H333000	Bracket, Motor, 2" High
19	9214000	Stud Nut, 1/4-20 x 1.25"L
20	9213000	Channel, 1.63 x .81 x 9.38
21	C843000	Cord, Power Supply, 115V, 15A, 3 Ft. (for H412)
21	C843000	Cord, Power Supply, 115V, 15A, 3 Ft. (for C843)
22	2133000	Lug, Copper Cable Connection

White Pump - Used 1980 - 1992

1	8501000	Pump Assembly, 0.75 HP
1	8502000	Pump Assembly, 1.5 HP
1	8503000	Pump Assembly, 2.0 HP
1	8566000	Pump Assembly, 2.0 HP
2	2552000	Motor, .75 HP, 115/230V, Drip-Proof
2	2552000	Motor, 2 Speed, 1.3 hp, 9A, 115V, 60Hz
2	2554000	Motor, 2.0 HP, 115/230V, Drip-Proof
2	8654000	Motor, 1.5 HP, 115/V, Drip-Proof
3	0199000	Gasket, Pump Flange
4	4516000	Flange, Pump 2"
5	3953832	Bolt, Hex 3/8-16 x 1.00"L.
6	4477000	Bracket, Motor 1" High
7	3951832	Bolt, Hex 5/16-18 x 1.00"L.
8	3983832	Washer, 5/16 Flt, Type A Pln Wd Ser
9	4034832	Nut, Locking Hd Kep Type 1/4-20
10	3689000	Vibration Damper
11	3952832	Bolt, Hex 5/16-18 x 1.50"L.
12	3983832	Washer, 5/16 Flt, Type A Pln Wd Ser
13	3993832	Nut, Hex, UNC-2B 5/16 - 18
14	3951832	Bolt, Hex 5/16-18 x 1.00"L.
.NS.	9216000	Well Nut, Rubber, 1/4-20

All Jets



Jacuzzi pump, motor and parts covered in this parts catalog are as follows: Jacuzzi C049000 K796000 9248000 CE35000 9249000 C847000 H412000 S135000 BG94000 Y657000 S206000 DA31000 Y660000 Y659000 Y658000 C146000 E672000

Guillen's Enterprises, Inc. - Since 1973 - a Jacuzzi authorized genuine parts distributor
 11040 West Flagler Street. Miami, FL 33174 USA
 Revised: 20100224

<p>Technical Specifications</p>	<p>Also Known As</p>	<p>Questions and Answers</p>
<ul style="list-style-type: none"> ▪ Parts Catalog with Links and Spec ▪ Parts Catalog in PDF ▪ General Parts Catalog 2009 		

CUSTOMER SERVICE

- > [Home](#)
- > [Help](#)
- > [My Account](#)
- > [Give us your Suggestions](#)

RESOURCEFUL LINKS

- > [About Us](#)
- > [Security Privacy](#)
- > [Contact Us](#)
- > [Shipping Policy](#)
- > [Return Policy](#)
- > [Non Stock](#)
- > [Email Picture](#)
- > [Locations](#)

> [Site Map](#)

Payments Accepted >>>

