

Parts Catalog

Place the hard-tab page labeled "Parts Catalog" in place of this page, then discard this page.



PARTS CATALOG

Limited Warranty - IBM Service Parts	2
How To Use This Parts Catalog	3
Visual Index	5
Assembly 1. System Unit - Exterior (5150)	7
Assembly 2. System Unit - Exterior (5160)	8
Assembly 3. System Unit - Exterior (5155)	9
Assembly 4. System Unit - Interior (5150)	10
Assembly 5. System Unit - Interior (5160)	12
Assembly 6. System Unit - Interior (5155)	14
Assembly 7. Full High Diskette Drive Type 1	16
Assembly 8. Full High Diskette Drive Type 1	18
Assembly 9. Full High Diskette Drive Type 2	20
Assembly 10. Full High Diskette Drive Type 2	22
Assembly 11. Full High Diskette Drive Type 3	24
Assembly 12. Full High Diskette Drive Type 3	26
Assembly 13. Diskette Drive Portable PC	28
Assembly 14. Fixed Disk Drive	29
Assembly 15. Internal Options and Adapters	30
Assembly 16. Expansion Unit - Exterior (5161)	33
Assembly 17. Expansion Unit - Interior (5161)	34
Assembly 18. Monochrome Display (5151)	36
Assembly 19. Color Display (5153)	38
Assembly 20. Enhanced Color Display (5154)	40
Assembly 21. Professional Graphics Display (5175)	42
Assembly 22. Keyboard (83-Key for 5150 and 5160) ...	44
Assembly 23. Keyboard (83-Key for 5155)	45
Assembly 24. Keybutton Kits (83-Key)	46
Assembly 25. Keybuttons (83-Key)	48
Assembly 26. Power Cords	50
Assembly 27. Miscellaneous	52

The warranty terms and conditions applicable in the country of purchase (except for the United States and Puerto Rico) in respect of an IBM Personal Computer product are available from the supplier.

Limited Warranty - IBM Service Parts

(Applies to United States and Puerto Rico)

The International Business Machines Corporation warrants that each IBM Service Part will be free from defects in material and workmanship under conditions of normal use for a period of 90 days from the date of purchase from IBM or an Authorized IBM Personal Computer Dealer. Service Parts will be either reconditioned or new parts. Should an IBM Service Part fail to be free from defects in materials or workmanship during the 90-day warranty period, IBM will, at its option, repair or replace this Service Part at no charge in the United States or Puerto Rico. All replaced Service Parts will become the property of IBM. This limited warranty does not include service to repair damage to the Service Part resulting from accident, disaster, misuse, abuse, or non-IBM modification of the Product.

Limited Warranty service may be obtained by delivering the defective Service Part during the 90-day warranty period to an Authorized the IBM Personal Computer Dealer, or any IBM Service Exchange Center in the United States or Puerto Rico. A dated proof of purchase from IBM or an Authorized IBM Personal Computer Dealer must accompany the claim. Contact IBM by writing to IBM National Parts Center, P.O. Box 481, Greencastle, Indiana 46135 for further information.

ALL EXPRESS OR IMPLIED WARRANTIES FOR THIS SERVICE PART, INCLUDING THE WARRANTIES OF MERCHANTABILITY AND FITNESS FOR A PARTICULAR PURPOSE, ARE LIMITED IN DURATION TO A PERIOD OF 90 DAYS FROM THE DATE OF PURCHASE, AND NO WARRANTIES, WHETHER EXPRESS OR IMPLIED, WILL APPLY AFTER THIS PERIOD. SOME STATES DO NOT ALLOW LIMITATIONS ON HOW LONG AN IMPLIED WARRANTY LASTS, SO THE ABOVE LIMITATIONS MAY NOT APPLY TO YOU.

IF THIS SERVICE PART IS DEFECTIVE IN MATERIALS OR WORKMANSHIP UNDER CONDITIONS OF NORMAL USE, AS WARRANTED ABOVE, YOUR SOLE REMEDY SHALL BE REPAIR OR REPLACEMENT AS PROVIDED ABOVE. IN NO EVENT WILL IBM BE LIABLE TO YOU FOR ANY DAMAGES, INCLUDING LOST PROFITS, LOST SAVINGS OR OTHER INCIDENTAL OR CONSEQUENTIAL DAMAGES ARISING OUT OF THE USE OF OR INABILITY TO USE SUCH PRODUCT, EVEN IF IBM OR AN AUTHORIZED IBM PERSONAL COMPUTER DEALER HAS BEEN ADVISED OF THE POSSIBILITY OF SUCH DAMAGES, OR FOR ANY CLAIM BY ANY OTHER PARTY.

SOME STATES DO NOT ALLOW THE EXCLUSION OR LIMITATION OF INCIDENTAL OR CONSEQUENTIAL DAMAGES FOR CONSUMER PRODUCTS, SO THE ABOVE LIMITATIONS OR EXCLUSIONS MAY NOT APPLY TO YOU.

THIS WARRANTY GIVES YOU SPECIFIC LEGAL RIGHTS, AND YOU MAY ALSO HAVE OTHER RIGHTS WHICH MAY VARY FROM STATE TO STATE.

How To Use This Parts Catalog

1. **Similar Parts** - If two parts are similar, they may be listed in the same list. Similar parts are referred to by one index number but are distinguished by the part number and description.
2. **NS** - When this indication appears in the **ASM - INDEX** column, it denotes a part not shown in the assembly. This designation is generally used for miscellaneous parts packets.
3. **R** - This entry in the **Units** column indicates the part has a restricted availability.
4. **AR** - As Required (**AR**) in the **Units** column denotes that the units per assembly may vary based upon system configuration.
5. **Indenture** - The indenture is marked by a series of dots located before the part description. The indenture indicates the relationships of a part to the next higher assembly.

Example of a Parts List

ASM - INDEX	PART NUMBER	UNITS	DESCRIPTION
1 -	1234567		Main Assembly
- 1	1234568	1	• Subassembly
- 2	1234569	1	• Subassembly, US
- 2	1234566	1	• Subassembly, Non-US
- 3	1234565	R	•• Detailed Part Restricted
- 4	1234564	1	• Subassembly
			•• Detailed Part
			•• Detailed Part
			•• Detailed Part
- NS	1234563	1	• Subassembly Not Shown
			•• Detailed Part
			•• Detailed Part
- 5	1234562	AR	• Subassembly - Use as Required

How to Use the Visual Index

Visual Index

Displays
Assembly 18, 19, 20, and 21
Pages 36, 38, 40, and 42

Keyboard (83-Key 5150 & 5160)
Assembly 22, 24, and 25
Pages 44, 46, 47 and 48

Keyboard (83-Key 5155)
Assembly 23, 24 and 25
Pages 45 through 46

Power Cords
Assembly 26
Page 52

Note: Miscellaneous Hardware can be found on page 52.

1. Turn to the visual index and locate, by illustration, the assembly containing the part.

Assembly 24. Keyboard (83-Key for 5155)

ASN INDEX	PART NUMBER	UNITS	DESCRIPTION
24 -	8654422	1	Keyboard Assembly w/cable, US
-	8654432	R	Keyboard Assembly w/cable, French
-	8654429	R	Keyboard Assembly w/cable, German
-	8654431	R	Keyboard Assembly w/cable, Italian
-	8654430	R	Keyboard Assembly w/cable, Spanish
-	8654428	R	Keyboard Assembly w/cable, UK
- 1	4586161	1	Keypad Assembly, US
- 1	8654437	1	Keypad Assembly, French
- 1	8654434	1	Keypad Assembly, German
- 1	8654436	1	Keypad Assembly, Italian
- 1	8654435	1	Keypad Assembly, Spanish
- 1	8654433	1	Keypad Assembly, UK
- 3	8654425	1	Top Cover
-	9654429	1	Foot Support (Qty 2)
-		1	Cup, Spring (Qty 2)
-		1	Spring (Qty 2)
-		1	Cup Plunger (Qty 2)
-		1	Pin, Support (Qty 2)
-		1	Spring, Plunger (Qty 2)
-		1	Pad (Qty 5)
-		1	Screw, Plastite (Qty 2)

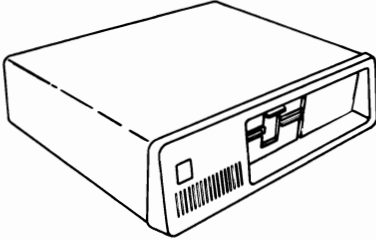
2. Turn to the page for that assembly and locate the part visually.

3. Using the index number shown with the part, refer to the accompanying listing to obtain the part number.

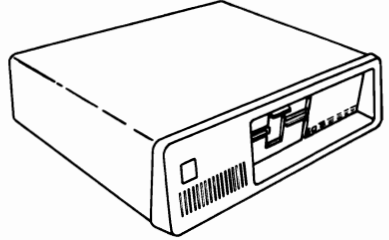
March 15, 1986

Parts (PC, XT, Portable PC) 47

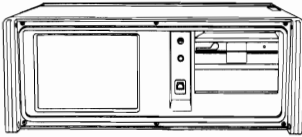
Visual Index



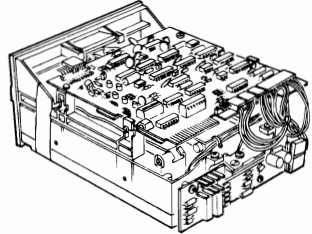
System Unit (5150)
Assembly 1 and 4
Pages 7 and 10



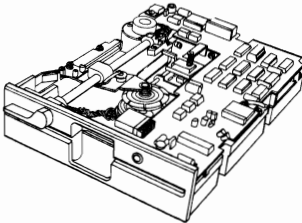
System Unit (5160)
Assembly 2 and 5
Pages 8 and 12



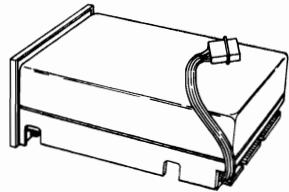
System Unit (5155)
Assembly 3 and 6
Pages 9 and 14



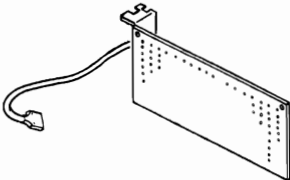
Full-High Diskette Drives
Assembly 7, 8, 9, 10, 11, and 12
Pages 16 through 26



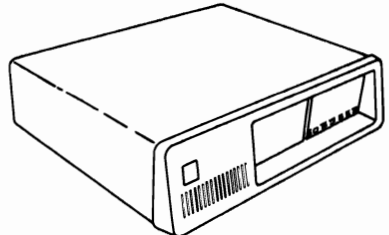
Diskette Drive Portable PC
Assembly 13
Page 28



Fixed Disk Drive
Assembly 14
Page 29

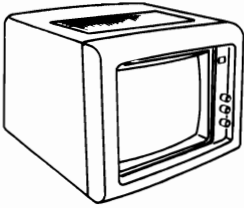


Internal Options and Adapters
Assembly 15
Page 30

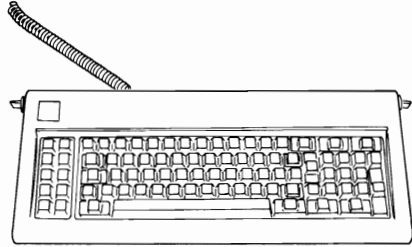


Expansion Unit (5161)
Assembly 16 and 17
Pages 33 and 34

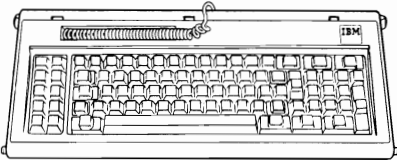
Visual Index



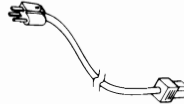
Displays
Assembly 18, 19, 20, and 21
Pages 36, 38, 40, and 42



Keyboard (83-Key 5150 & 5160)
Assembly 22, 24, and 25
Pages 44, 46, 47 and 48



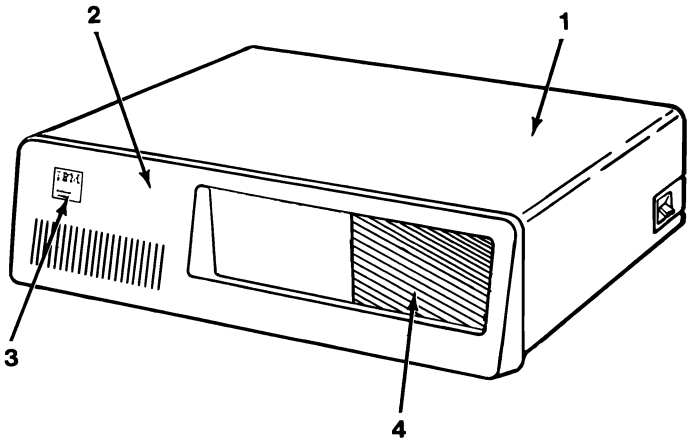
Keyboard (83-Key 5155)
Assembly 23, 24 and 25
Pages 45 through 48



Power Cords
Assembly 26
Page 50

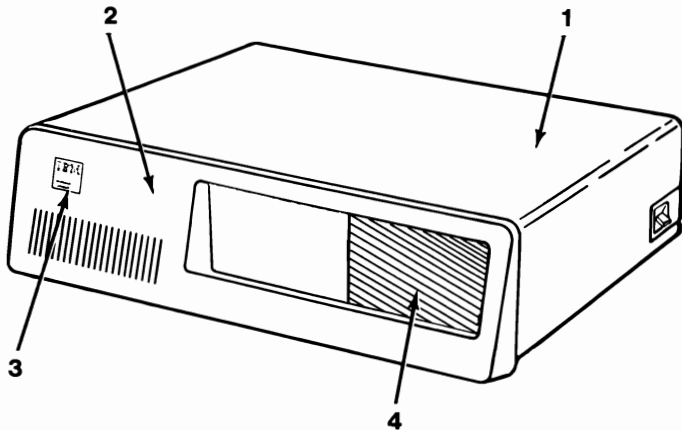
Note: Miscellaneous Hardware and wrap plugs are listed on page 53.

Assembly 1. System Unit - Exterior (5150)



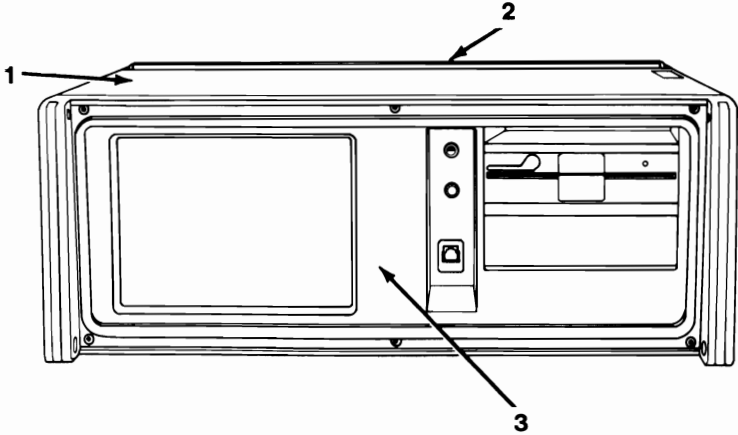
ASM - INDEX	PART NUMBER	UNITS	DESCRIPTION
1 - 1	8529162	1	Top Cover (No Bezel)
- 2	8529163	1	Bezel Assembly
- 3	8529164	R	• Logo/Label Kit (US Only)
- 3	8529283	R	• Logo/Label Kit (Non-US Only)
			•• Front Name Plate
			•• Rear Name Plate
			•• FCC Label
- 4	8529204	AR	Disk Cover Plate
- NS		1	Power Cord (See Power Cord Parts List)

Assembly 2. System Unit - Exterior (5160)



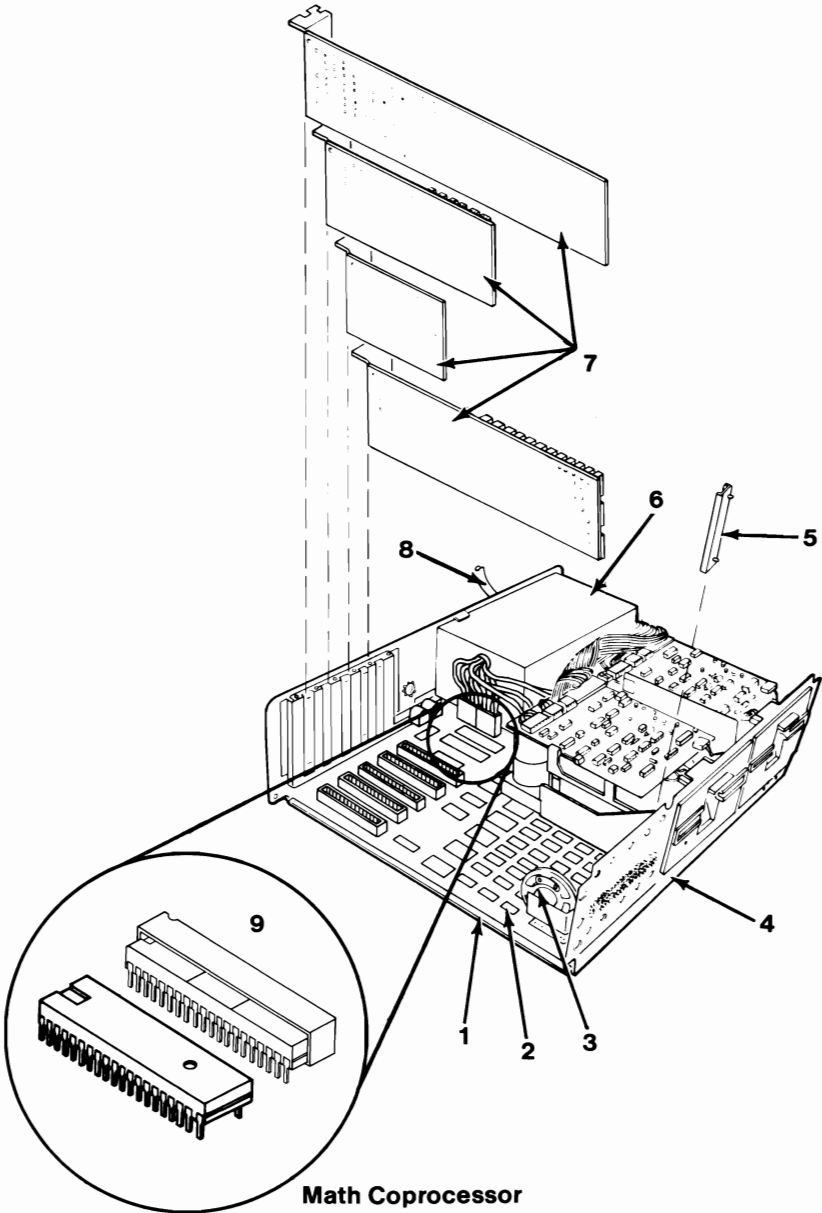
ASM - INDEX	PART NUMBER	UNITS	DESCRIPTION
2 -	8285980		Cover Assembly (5160)
- 1	8529162	1	• Top Cover (No Bezel)
- 2	8285163	1	• Bezel Assembly (5160)
- 3	8529164	R	• Logo/Label Kit (US Only)
- 3	8529283	R	• Logo/Label Kit (Non-US Only)
			•• Front Name Plate
			•• Rear Name Plate
			•• FCC Label
- 4	8529204	AR	Disk Cover Plate
- NS		1	Power Cord (See Power Cord Parts List)
- NS	6937077		Shipping Carton, System Unit

Assembly 3. System Unit - Exterior (5155)



ASM - INDEX	PART NUMBER	UNITS	DESCRIPTION
3 -	8654414		Cover Assembly
- 1			• Cover
- 2			• Handle Assembly
- 3	8654413	1	• Panel Assembly
- NS	8654440	1	• Panel Assembly Kit
			•• Panel Assembly (Rear Access)
			•• Panel Retainer Kit
- NS	8654439	1	• Cover and Handle Hardware Kit
			•• Foam Pad
			•• Washer, Friction (Qty 2)
			•• Nut, Stud (Qty 2)
			•• Screw, Shoulder M4 (Qty 2)
- NS	8654445	R	• IBM Label
- NS	8654418	1	Carrying Case
- NS		1	Power Cord (See Power Cord Parts List)

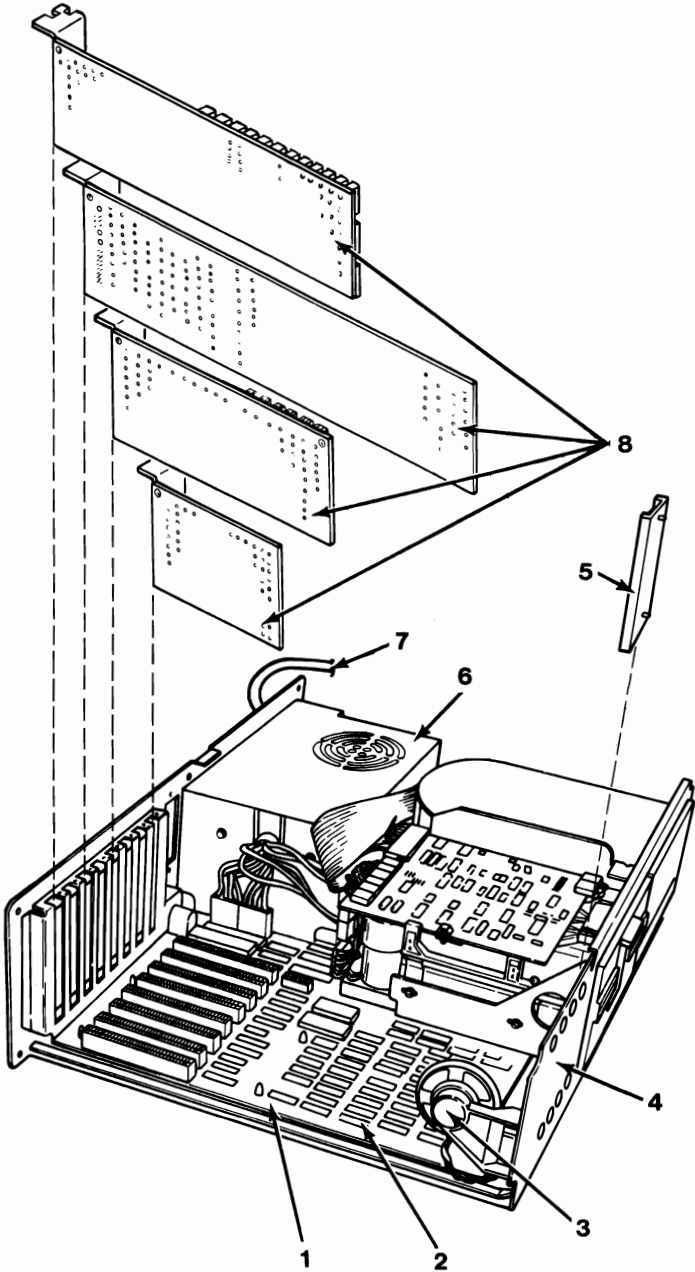
Assembly 4. System Unit - Interior (5150)



System Unit - Interior (5150)

ASM - INDEX	PART NUMBER	UNITS	DESCRIPTION
4 - 1	8529205	1	System Board 16KB-64KB CPU (US Only)
- 1	8654207	1	System Board 16KB-64KB CPU (Non-US Only)
- 1	8529238	1	System Board 16KB-64KB CPU (Populated to 64K)
- 2	8529142	AR	• 16KB Memory Module
- 1	8654213	1	System Board 64KB-256KB CPU
- 2	8529211	AR	• 64KB Memory Module
- 3	8529143	1	Speaker and Cable
- 4	8529161	1	Base Assembly (Frame)
- 5	8529156	1	Card Support Bracket
- 6	8529155	1	Power Supply, 120 Volt
- 6	8654269	1	Power Supply, 220/240 Volt
- 7			See Internal Options and Adapters
- 8		1	Power Cord (See Power Cord Parts List)
- 9			See Internal Options and Adapters
- NS	8529165	AR	Miscellaneous Parts Kit <ul style="list-style-type: none"> • Screw, System Cover (Qty 5) • Clip, Bezel (Qty 5) • Clip, Blank Bezel (Qty 2) • Spring, Keyboard Foot (Qty 2) • Foot Pad, Keyboard (Qty 10) • Foot Pad, System Unit (Qty 5) • System Board Support (Qty 1) • Screw, Flange (Qty 10)

Assembly 5. System Unit - Interior (5160)

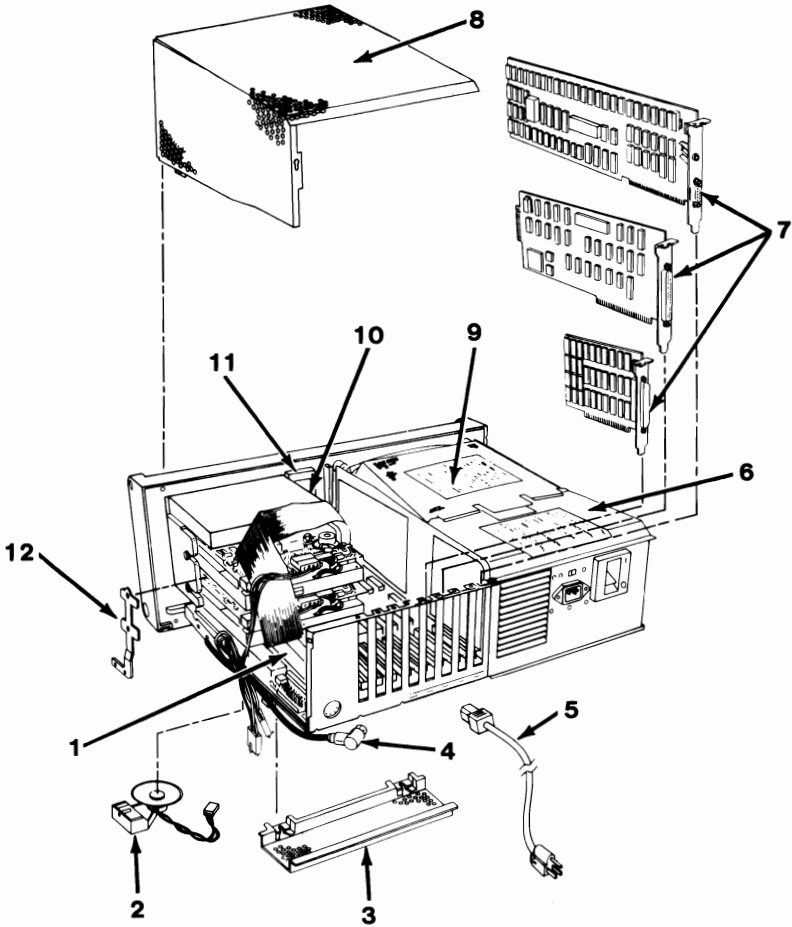


12 Parts (PC, XT, Portable PC)

System Unit - Interior (5160)

ASM - INDEX	PART NUMBER	UNITS	DESCRIPTION
5 - 1	8529254	1	System Board 64KB-256KB CPU (Populated to 128K)
- 2	8529211	AR	• 64KB Memory Module
- 3	8529143	1	Speaker and Cable
- 4	8529248	R	Base Assembly (Frame)
- 5	8529156	1	Card Support Bracket
- 6	8529247	1	Power Supply, 120 Volt
- 6	8654269	1	Power Supply, 220/240 Volt
- 7		1	Power Cord (See Power Cord Parts List)
- 8			See Internal Options and Adapters
- NS	8529165	AR	Miscellaneous Parts Kit <ul style="list-style-type: none"> • Screw, System Cover (Qty 5) • Clip, Bezel (Qty 5) • Clip, Blank Bezel (Qty 2) • Spring, Keyboard Foot (Qty 2) • Foot Pad, Keyboard (Qty 10) • Foot Pad, System Unit (Qty 5) • System Board Support (Qty 1) • Screw, Flange (Qty 10)

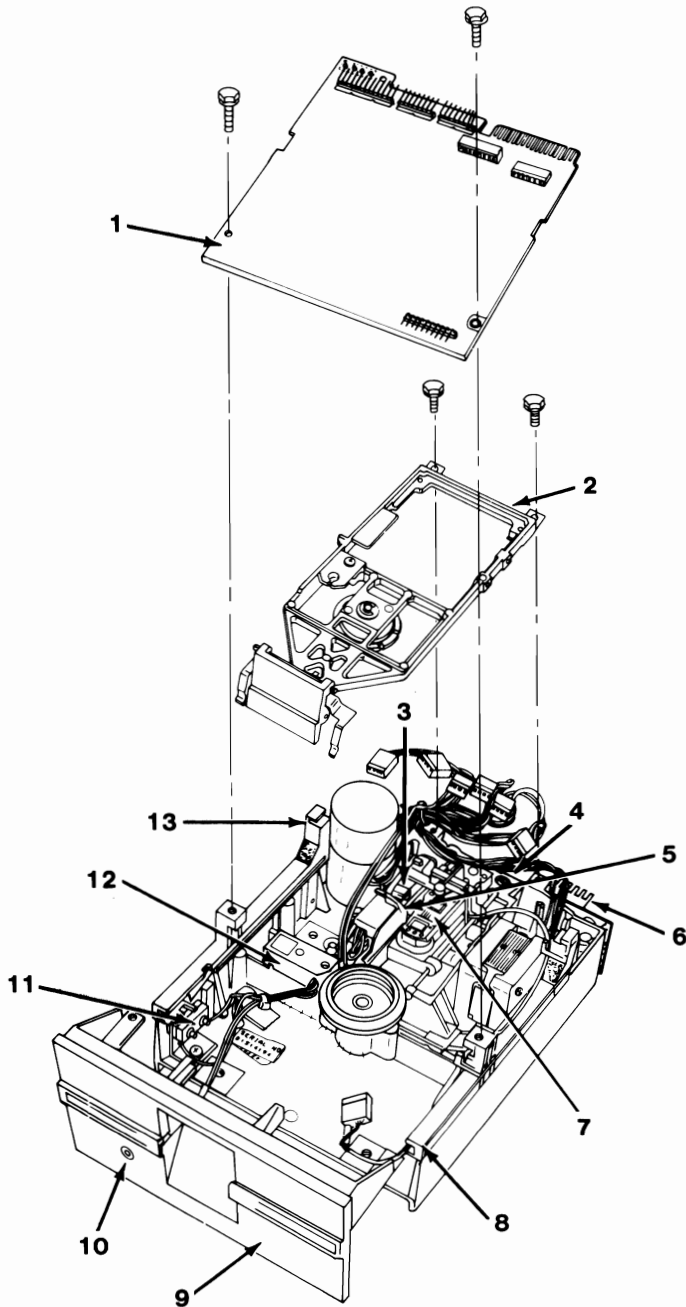
Assembly 6. System Unit - Interior (5155)



System Unit - Interior (5155)

ASM - INDEX	PART NUMBER	UNITS	DESCRIPTION
6 - 1	8529254	1	System Board 64KB-256KB CPU (Populated to 128K)
- NS	8529211	AR	• 64KB Memory Module
- 2	8529143	1	Speaker and Cable
- 3	8654452	1	Cable Raceway
- 4	8654427	1	Cable, Keyboard, Internal System
- 5		1	Power Cord (See Power Cord Parts List)
- 6	8654417	1	Power Supply (Includes Fan and Information Label)
- NS	8654444	1	• Fan, Power Supply
- 7			See Internal Options and Adapters
- 8	8654415	1	Shield
- 9	8654419	1	Display Assembly
	8285975	R	• High Voltage Transformer
	8285976	R	• Yoke
- 10	8654451	1	Shield, Keyboard, Internal System
- 11	8285977	R	Brightness/Contrast Assembly
- 12	8654421	1	Diskette Ground Bracket
- NS	8654441	1	Display Assembly Hardware Kit • Knob, Brightness • Knob, Contrast
- NS	8654438	1	Front Panel Hardware Kit • Foot Assembly (Qty 2) • Panel, Bumper • Screw, Plastite (Qty 2) • Panel, Keyboard Connector • Blank Insert, Diskette Drive • Screw, attach Shroud M-4 (Qty 6) • Strip, Wear, Front Panel (Qty 2) • Screw, Controls to Panel (Qty 2)
- NS	8654442	1	System Hardware Kit • System Board Supports (Qty 6) • Screws, Skt. Head 3.5mm x 8 (Qty 16) • Bumper, Card (Qty 3) • Screw, Plastite 8-18 (Qty 6) • Mounting Screws, Diskette (Qty 4) • Attachment Card, Blank Insert • Glide, Chassis (Qty 2) • Bracket, System Board Ground • Spacer, Diskette Drive (Qty 3) • Screw, Special Bristol (Qty 7)

Assembly 7. Full High Diskette Drive Type 1

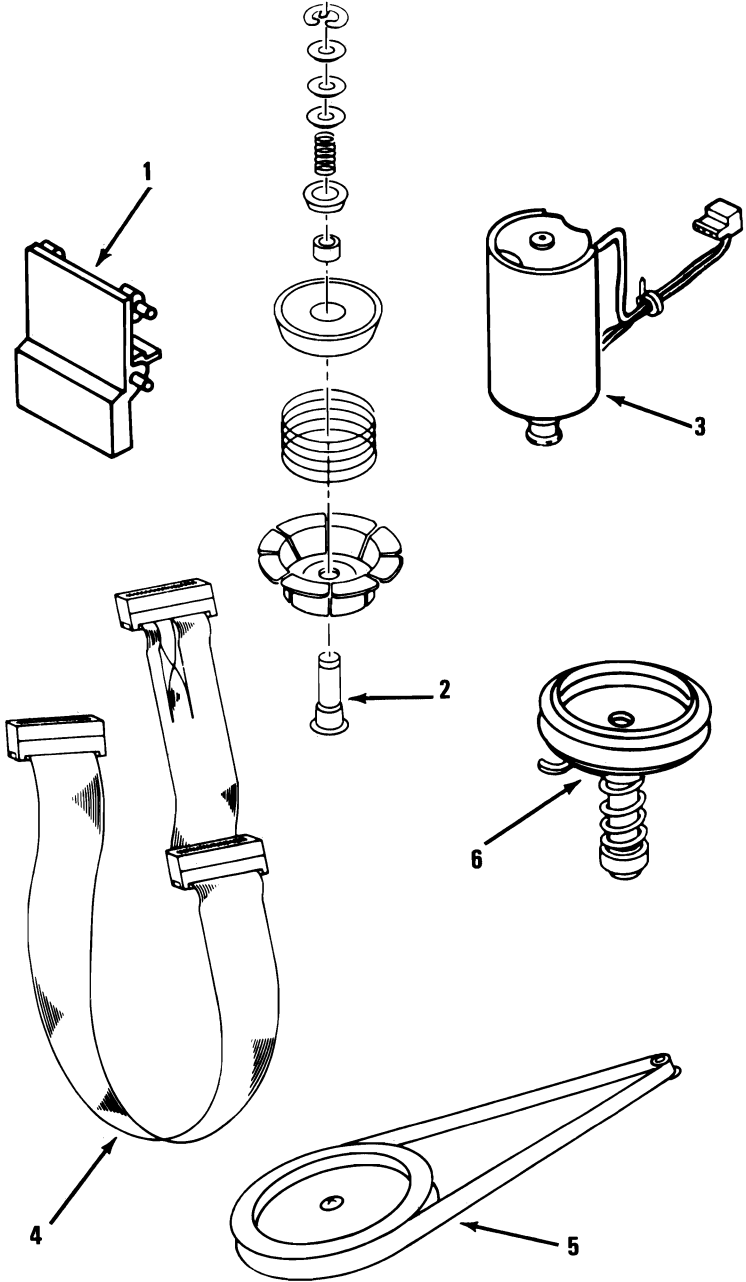


Diskette Drive - Type 1

Use only in drives that have an A, B, or nothing in front of the serial number. The serial number is visible from the top of the drive.

ASM - INDEX	PART NUMBER	UNITS	DESCRIPTION
7 -	8529153		Diskette Drive Assembly, Single-Sided
-	8529206		Diskette Drive Assembly, Double-Sided
- 1	8529226	1	• Logic Board with Shield
- 2	8529267	1	• Cone Lever Assembly •• Cone Lever Arm •• Cone Assembly •• Mounting Clips •• Latch Assembly
- 3	8529224	R	• Track 0 Switch
- 4	8529266	R	• Track 0 Stop
- 5	8529265	R	• SSR Upper Arm
- 6	8529256	1	• Servo Board
- 7	8529264	R	• Module SSR/160KB
- 7	8529210	R	• Module DSR/320KB
- 8	8529261	1	• Guide, Right
- 9	8529293	1	• Front Panel
- 10	8529258	1	• LED Assembly
- 11	8529225	1	• Write Protect Switch
- 12	8529257	R	• Index Assembly
- 13	8529262	1	• Guide, Left

Assembly 8. Full High Diskette Drive Type 1

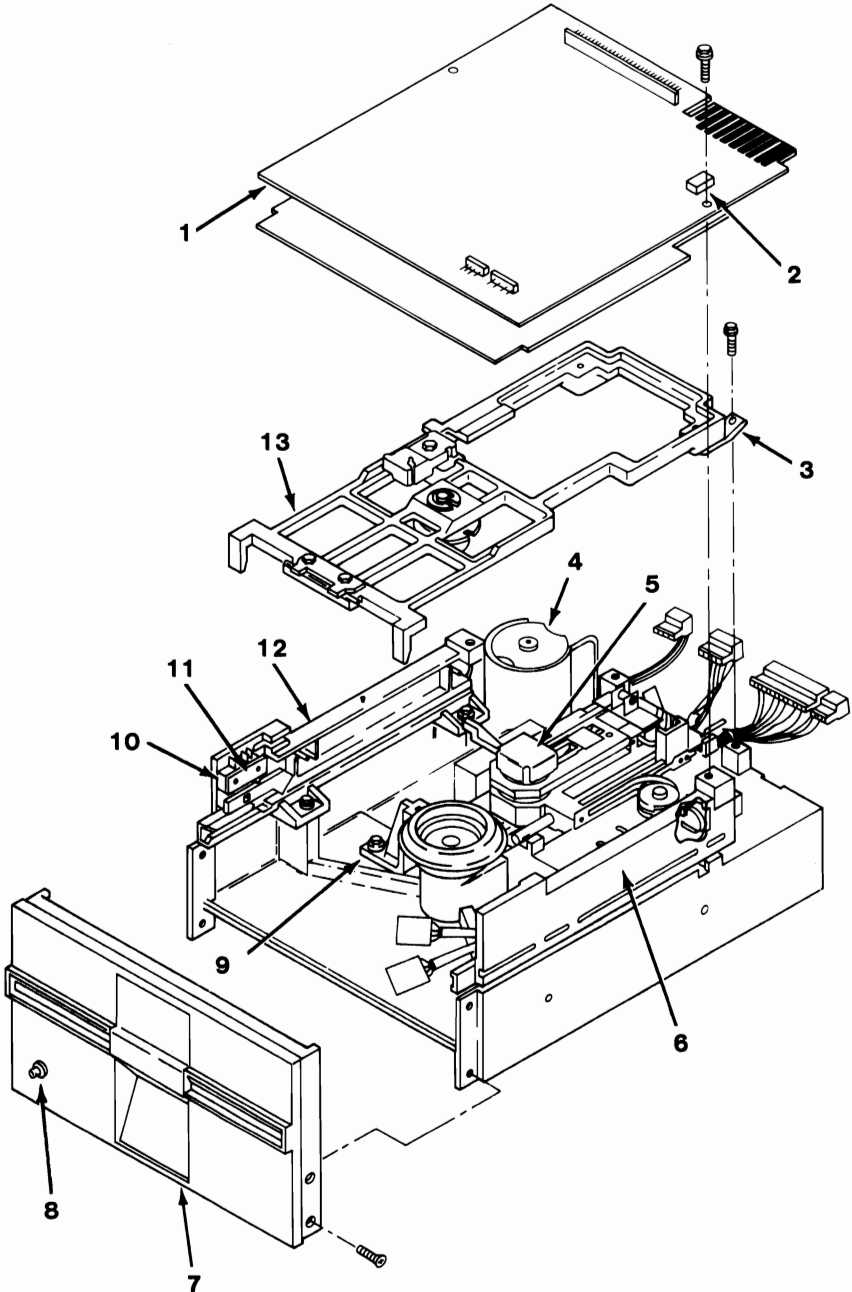


Diskette Drive - Type 1

Use only in drives that have an A, B, or nothing in front of the serial number. The serial number is visible from the top of the drive.

ASM - INDEX	PART NUMBER	UNITS	DESCRIPTION
8 - 1	8529260	1	Latch Assembly
- 2	8529259	1	Cone
- 3	8529223	1	Diskette Drive Motor
- 4	8529159	1	Signal Cable
- 5	8529154	1	Diskette Drive Belt
- 6	8529263	1	Spindle Assembly <ul style="list-style-type: none"> • Spindle • Bearings • Spring • Sleeve
- NS	8529294	AR	Miscellaneous Parts Kit <ul style="list-style-type: none"> • Servo Board Spacer • Cone Shaft E Ring • Cone Shaft Washers • Front Panel Bushings • Drive Motor Shouldered Washer • Track 0 Adjustment Switch Screw • Track 0 Adjustment Switch Screw E • Carrier Eccentric Stud • Carrier Eccentric Stud E Ring

Assembly 9. Full High Diskette Drive Type 2

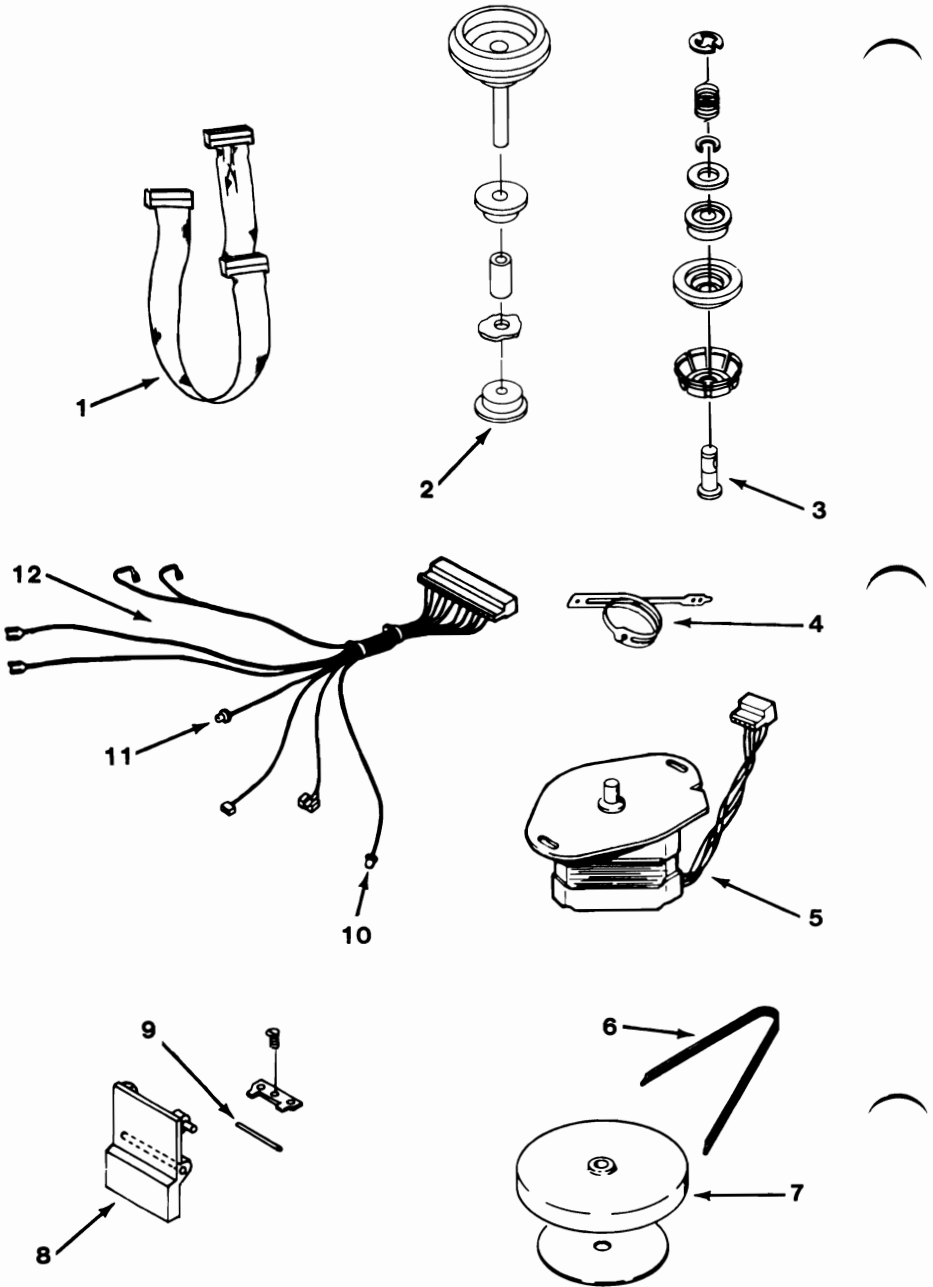


Diskette Drive - Type 2

Use only in drives that have a D in front of the serial number.
The serial number is visible from the top of the drive.

ASM - INDEX	PART NUMBER	UNITS	DESCRIPTION
9 -	8529206		Diskette Drive Assembly, Double-Sided
- 1	8654241	1	• Logic Board
- 2	8654252	R	•• Shunt, DIP
- 3	8654261	1	• Leaf Spring
- 4	8654240	1	• Drive Motor
- 5	8654239	R	• Module DSR/320KB
- 6	8654245	1	• Guide, Right
- 7	8654254	1	• Front Panel
- 8	8654249	1	• LED Assembly
- 9	8654255	R	• Index Housing (Lower)
- 10	8654250	1	• Write Protect Switch
- 11	8654260	1	• Nut Plate, Write Protect
- 12	8654244	1	• Guide, Left
- 13	8654243	1	• Cone Lever Arm Assembly
- NS	8654259	AR	• Miscellaneous Parts Kit •• Screws •• Washers •• Set Screws •• Pin Clamps

Assembly 10. Full High Diskette Drive Type 2

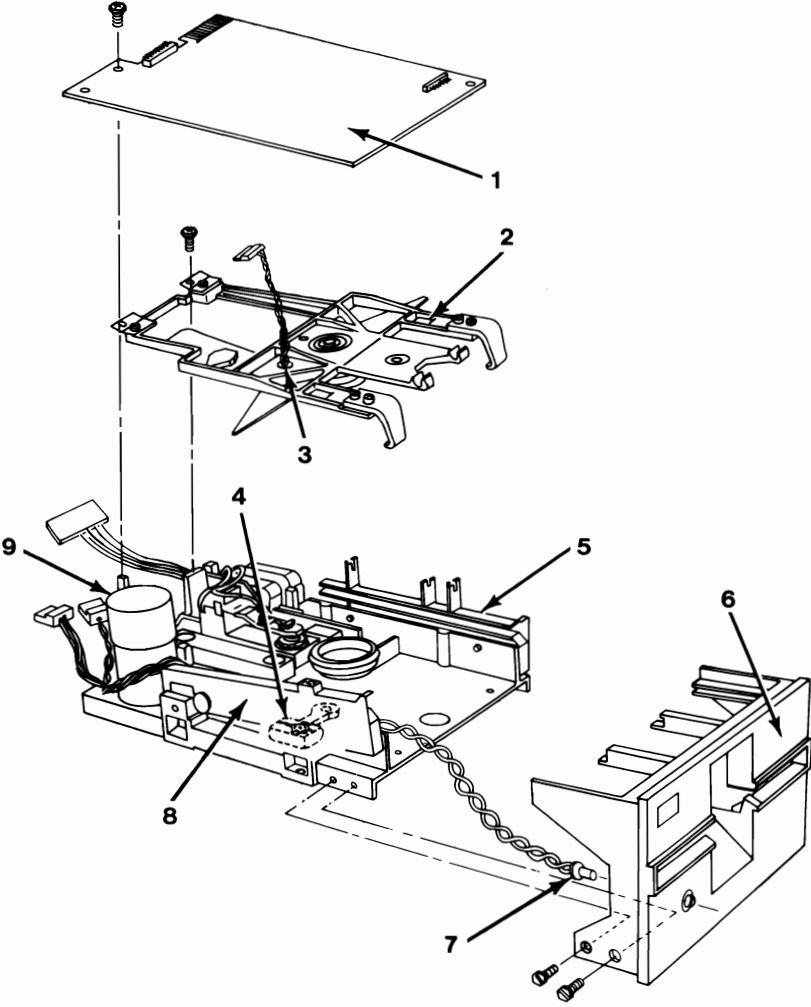


Diskette Drive - Type 2

Use only in drives that have a D in front of the serial number.
The serial number is visible from the top of the drive.

ASM - INDEX	PART NUMBER	UNITS	DESCRIPTION
10 - 1	8529159	1	Signal Cable, Diskette Drive
- 2	8654256	1	Spindle Assembly <ul style="list-style-type: none"> • Bearings • Washer • Spindle
- 3	8654258	1	Cone Assembly <ul style="list-style-type: none"> • Retaining Clip • Washer, Special • Spring • Washer • Clip • Bearing • Insert • Cone • Cone Shaft
- 4	8654238	R	Band, Head
- 5	8654237	R	Stepper Assembly, Motor
- 6	8654251	1	Belt, Diskette Drive
- 7	8654257	1	Pulley Kit <ul style="list-style-type: none"> • Pulley • Disk, Strobe
- 8	8654242	1	Latch
- 9	8654262	1	Latch Pin
- 10	8654248	1	Index Sensor, Lower
- 11	8654247	R	Index Sensor, Upper
- 12	8654253	R	Index Harness

Assembly 11. Full High Diskette Drive Type 3

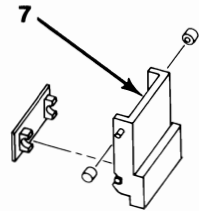
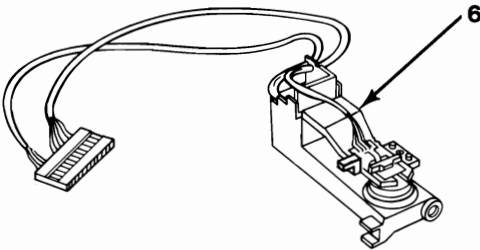
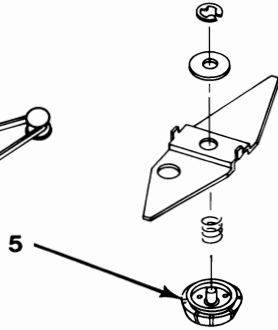
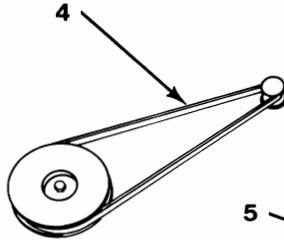
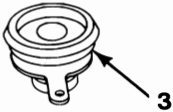
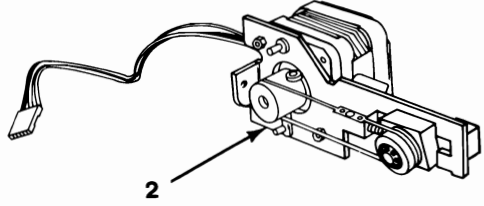
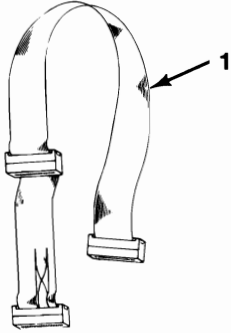


Diskette Drive - Type 3

Use only in drives that have an E in front of the serial number.
The serial number is visible from the top of the drive.

ASM - INDEX	PART NUMBER	UNITS	DESCRIPTION
11 -	8529206	1	Diskette Drive, Double-Sided
- 1	1696630	1	• Logic Board with Shield
- 2	1696623	1	• Cone Lever Arm
- 3	1696633	1	• Index LED
- 4	1696628	1	• Index Assembly
- 5	1696637	1	• Diskette Guide, Right
- 6	1696622	1	• Front Panel
- 7	1696629	1	• LED Assembly
- 8	1696624	1	• Left Diskette Guide and Write Protect Sensor Assembly
- 9	1696632	1	• Drive Motor
- NS	1696627	AR	• Miscellaneous Parts Kit •• Guide Spring •• Rollers (Qty 2) •• Washers, Assorted (Qty 3) •• LED Mtg. Kit •• E-Clip •• Screws, Assorted (Qty 6) •• Rod Holder (Qty 2) •• Clamp, Band •• Cable Tie

Assembly 12. Full High Diskette Drive Type 3

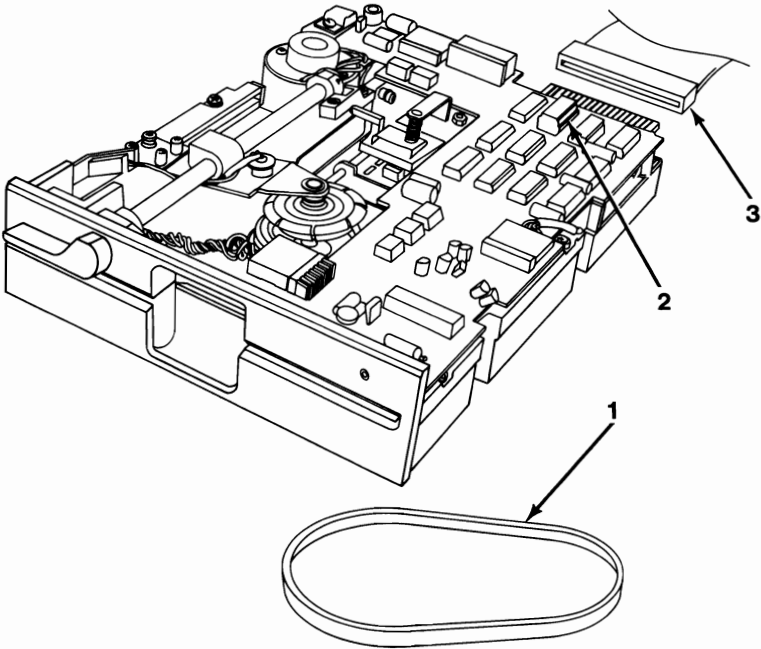


Diskette Drive - Type 3

Use only in drives that have an E in front of the serial number.
The serial number is visible from the top of the drive.

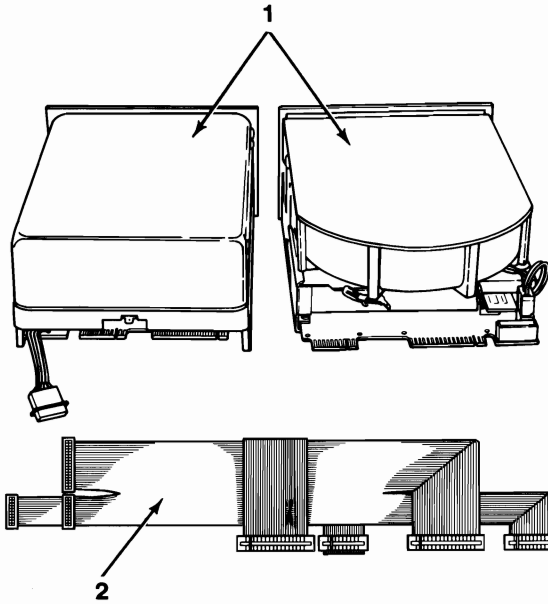
ASM - INDEX	PART NUMBER	UNITS	DESCRIPTION
12 - 1	8529159	1	Signal Cable
- 2	1696620	1	Stepper Motor Assembly
- 3	1696638	1	Spindle Assembly
- 4	1696625	1	Belt, Diskette Drive
- 5	1696639	1	Cone Assembly
- 6	1696631	1	Module DSR/Double-Sided
- 7	1696621	1	Latch Assembly

Assembly 13. Diskette Drive Portable PC



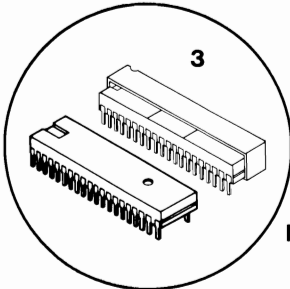
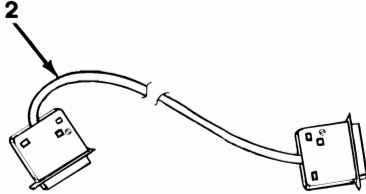
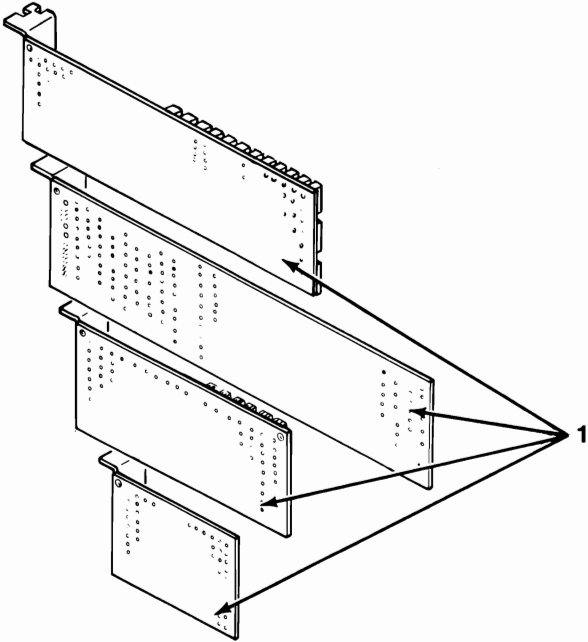
ASM - INDEX	PART NUMBER	UNITS	DESCRIPTION
13 -	8285978	AR	Diskette Drive Assembly
- 1	8285979	1	• Belt, Diskette Drive
- 2	8285972	1	• Terminating Resistor
- 3	8654420	1	Signal Cable, Diskette Drive

Assembly 14. Fixed Disk Drive



ASM - INDEX	PART NUMBER	UNITS	DESCRIPTION
14 - 1	8529275	AR	Fixed Disk Drive, 10MB
- 2	8529271	AR	Data/Control Cable

Assembly 15. Internal Options and Adapters



Math Coprocessor

Internal Options and Adapters - Part 1 of 2

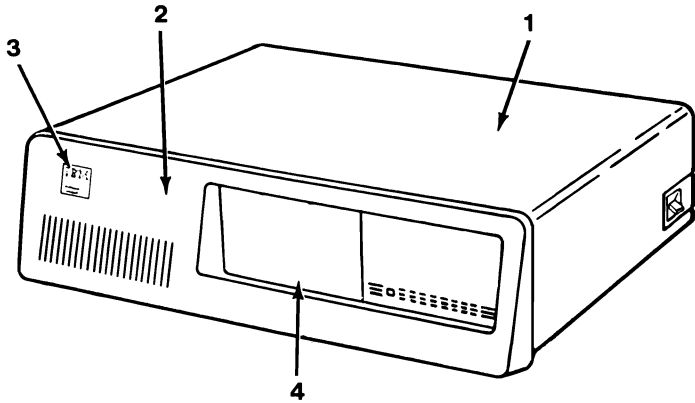
ASM - INDEX	PART NUMBER	UNITS	DESCRIPTION
15 - 1	8529212	AR	64/256KB Memory Expansion Option (Does Not Include Memory Modules)
- NS	8529211	AR	• 64KB Memory Module
- 1	6134136	AR	256KB Memory Expansion Option (Includes Modules)
- NS	6134137	4	• 64KB Memory Module (32-Pin) (Includes Module Puller)
- 1	8529150	AR	Asynchronous Communications Adapter
- 1	8286098	AR	Binary Synchronous Communications (BSC) Adapter
- 1	6323472	AR	Cluster Adapter
- NS	6323575	AR	Cluster Cable Kit
- 1	8286097	AR	Color/Graphics Monitor Adapter
- 2	8529274	AR	Communications Adapter Cable
- 1	6181768	AR	Data Acquisition Adapter
- 1	8529152	1	Diskette Drive Adapter
- 1	8654215	AR	Enhanced Graphics Adapter (Memory expansion card not included)
- NS	6323468	AR	• Graphics Memory Expansion Card (Memory modules not included)
- NS	8654219	24	•• Graphics Memory Module (Qty 1)
- 1	8529252	AR	Extender Card
- 1	8529269	AR	Fixed Disk Adapter
- 1	8529151	AR	Game Control Adapter
- 1	6181770	AR	GPIB Adapter
- 3	8529147	AR	Math Coprocessor and 8088 Processor (Must be installed as a set)
- 1	8529148	AR	Monochrome Display and Printer Adapter
- 1	8286171	AR	PC Network Adapter
- NS	8286172	AR	PC Network Adapter Cable
- 1	8529149	AR	Printer Adapter
- 1	8529214	AR	Printer Cable
- NS	6181765	AR	Professional Graphics Controller
	6323412	R	• Miscellaneous Hardware Kit
	6133787	R	• Controller Processor Card
	6133790	R	•• 8088 Processor
	6133791	R	•• 32KB ROM
	6133792	R	•• 32KB ROM
	6323410	R	•• Digital-Analog Converter
	6133788	R	• Controller Emulator Card
	6133789	R	• Controller Memory Card
- NS	6181772	40	•• Professional Graphics Memory Module (Qty 1)

- Continued on next page -

Internal Options and Adapters - Part 2 of 2

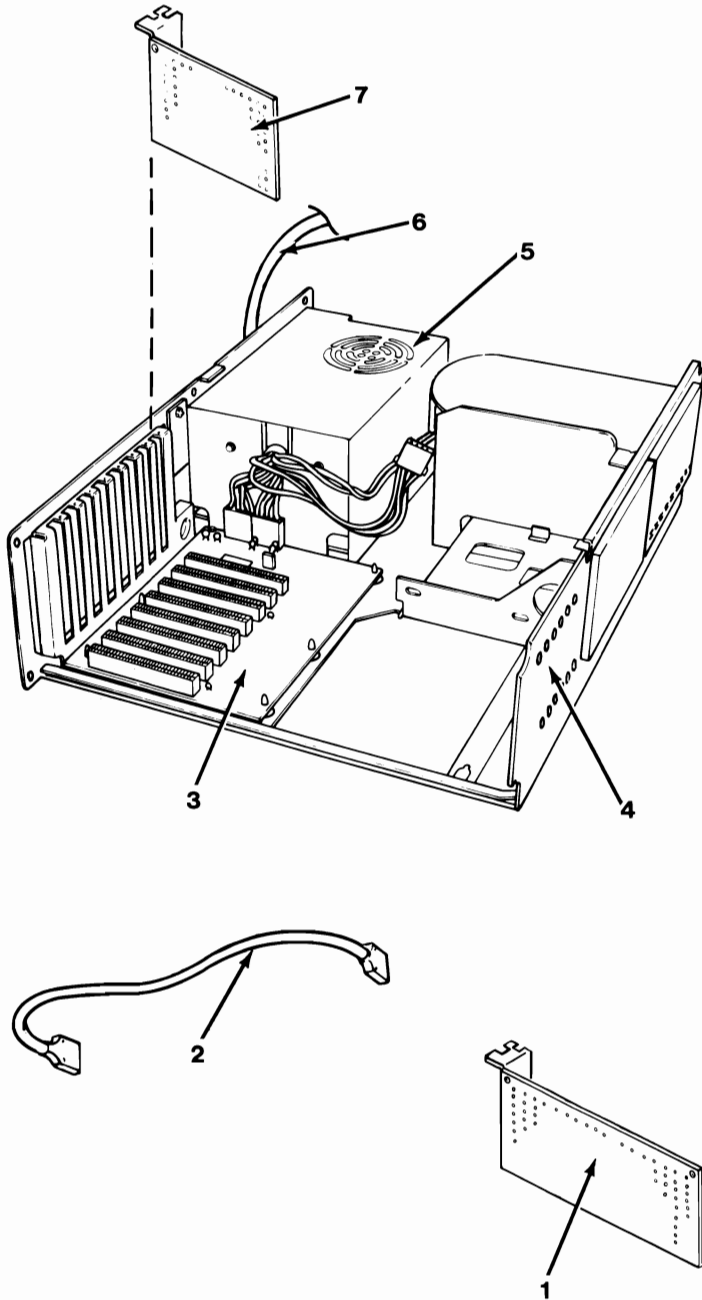
ASM - INDEX	PART NUMBER	UNITS	DESCRIPTION
5 - 1	8529213	AR	Prototype Card
- 1	8529251	AR	Receiver Card (Expansion Unit)
- 1	8286099	AR	Synchronous Data Link Control (SDLC) Communications Adapter
- 1	2684438	AR	Voice Communications Adapter
- NS	2684462	AR	Notched Black Telephone Cable, for Voice Communications Adapter
- NS	2684487	AR	Notched White Telephone Cable, for Voice Communications Adapter
- NS	2684509	AR	Tabbed Black Telephone Cable, for Voice Communications Adapter
- NS	2684514	AR	Tabbed White Telephone Cable, for Voice Communications Adapter

Assembly 16. Expansion Unit - Exterior (5161)



ASM - INDEX	PART NUMBER	UNITS	DESCRIPTION
16 - 1	8529162	1	Top Cover, w/o Bezel
- 2	8529163	1	Bezel Assembly
- 3	8529164	R	Logo/Label Kit (US Only)
- 3	8529283	R	Logo/Label Kit (Non-US Only) • Front Name Plate • Rear Name Plate • FCC Label
- 4	8529204	AR	Disk Cover Plate

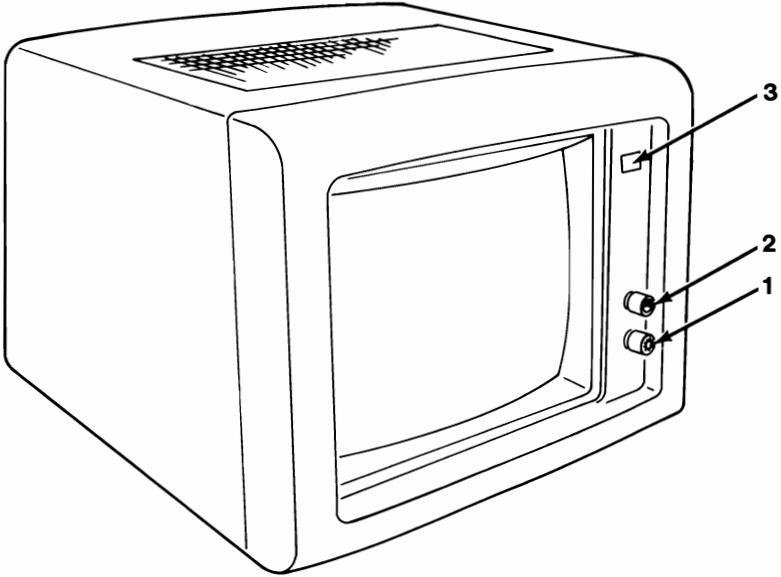
Assembly 17. Expansion Unit - Interior (5161)



Expansion Unit - Interior (5161)

ASM - INDEX	PART NUMBER	UNITS	DESCRIPTION
17 - 1	8529252	1	Extender Card (System Unit)
- 2	8529253	1	Expansion Unit Cable
- 3	8529250	1	Expansion Board
- 4	8529248	R	Base Assembly, Frame
- 5	8529247	1	Power Supply, 120 Volt
- 5	8654269	1	Power Supply, 220/240 Volt
- 6		1	Power Cord (See Power Cord Parts List)
- 7	8529251	1	Receiver Card (Expansion Unit)

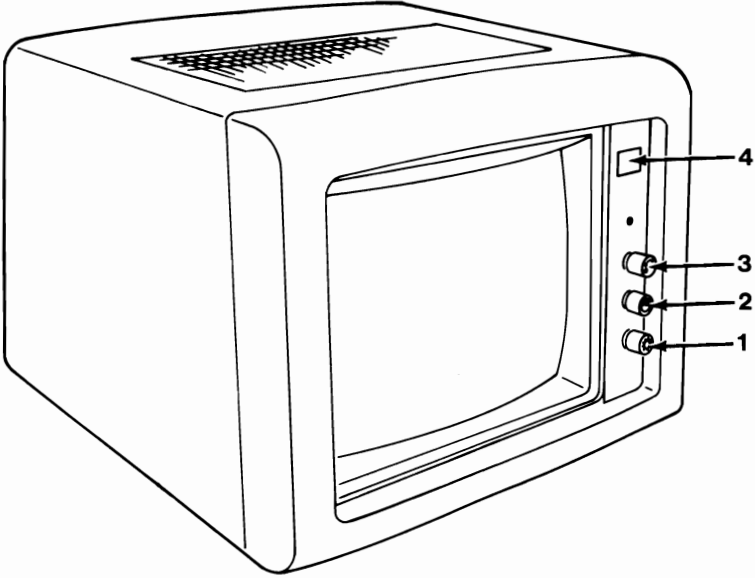
Assembly 18. Monochrome Display (5151)



Monochrome Display (5151)

ASM - INDEX	PART NUMBER	UNITS	DESCRIPTION
18 -	8529171		Display Assembly, 120 Volt
-	8529209		Display Assembly, 220/240 Volt
- 1	8529177	1	• Knob, Brightness
- 2	8529178	1	• Knob, Contrast
- 3	8529179	R	• Logo/Label Kit, 120 Volt
- 3	8654205	R	• Logo/Label Kit, 220/240 Volt •• Name Plate, Front •• Label, Caution •• Name Plate, Rear •• Label, FCC
- NS	8529229	R	• Panel, Front
- NS	8529230	R	• Cover, Back
- NS	8529231	R	• Plug, Upper Cover
- NS	8529232	R	• Foot
- NS	8529176	R	• Holder, Power Cord
- NS	8529173	R	• Signal Cable
- NS	8529235	R	• Transformer, 120 Volt
- NS	8654206	R	• Transformer, 220/240 Volt
- NS	8529237	R	• Support, Control
- NS	8529236	R	• Support, Transformer
- NS	8529175	R	• Fuse, 0.75 Amp, 120 Volt
- NS	8654204	R	• Fuse, 0.5 Amp, 220/240 Volt
- NS	8529233	R	• Analog Card
- NS	8529234	R	• PC Card
- NS	8529174	R	• Power Cord, 120 Volt
- NS	8654203	R	• Power Cord, 220/240 Volt
- NS	8529180	R	• Display Miscellaneous Hardware Kit •• Screw, CRT Mounting •• Support, CRT Mounting •• Bracket, CRT to Front Panel •• Transformer Support, Front Panel •• Screw, Rubber Bushing, Display •• Nut, Rubber Bushing, Display •• Screw, Cable Restraint, Display •• Star Washer, Display
- NS	6937013	AR	Shipping Carton
- NS	6448524	AR	Shipping Cushion, Left
- NS	6448525	AR	Shipping Cushion, Right
- NS	6937056	AR	Shipping Bag

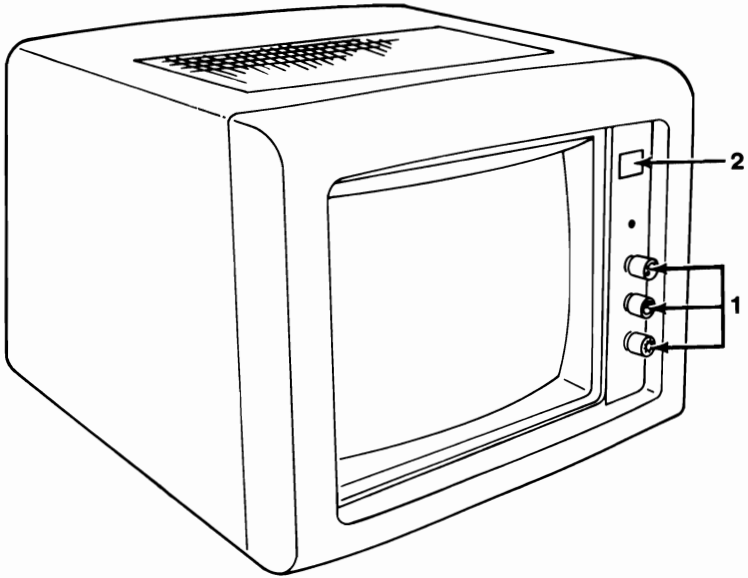
Assembly 19. Color Display (5153)



Color Display (5153)

ASM - INDEX	PART NUMBER	UNITS	DESCRIPTION
19 -	8529227		Display Assembly
-	8654214		Display Assembly (Model-002)
- 1	8529287	1	• Knob, Brightness
- 2	8529288	1	• Knob, Contrast
- 3	8529289	1	• Knob, Power On/Off
- 4	8529339	R	• Logo/Label Kit
- NS	8529285	R	• Cover, Front, Includes Top, Bottom, and Power Supply Brackets
- NS	8529286	R	• Cover, Rear
- NS	8529323	R	• P.C. Board •• Flyback Transformer •• Focus Pack •• Horizontal Drive Transistor •• Chassis
- NS	8654222	R	• P.C. Board/Flyback Transformer Control Assembly (Model-002)
- NS	8654275	R	• Degaussing Coil
- NS	8529338	R	• Control Assembly
- NS	8654224	R	• Control Assembly (Model-002)
- NS	8654276	R	• Indicator, Power-On
- NS	8529291	R	• Power Supply Assembly
- NS	8654221	R	• Power Supply Assembly (Model-002)
- NS	8529290	R	• CRT and Yoke
- NS	8529324	R	• CRT Board and Shield Cable
- NS	8529334	R	• Signal Cable
- NS	8529336	R	• Power Receptacle/Line Filter Assembly
- NS	8654223	R	• Power Receptacle/Line Filter Assembly (Model-002)
- NS	8529335	R	• Vertical Size Pot Shaft Extension
- NS	8529337	R	• Vertical Hold Pot Shaft Extension
- NS	8529327	R	• Miscellaneous Hardware Kit •• Shield, Driver Board •• Retainers, Driver Board Shield •• Strain Relief, Signal Cord •• Screws, Power Supply •• Screws, CRT Mounting •• Screws, Control Assembly •• Screws, P.C. Board Chassis Mounting •• Screws and Washers, Rear Cover •• Plugs, Cover Screw •• Wire Ties, Degaussing Coil
- NS	6937192	R	Packing Material Kit
- NS	6182313	AR	Shipping Carton
- NS	6182056	AR	Shipping Cushion, Front
- NS	6182057	AR	Shipping Cushion, Back
- NS	6182319	AR	Shipping Bag
- NS		1	Power Cord (See Power Cord Parts List)

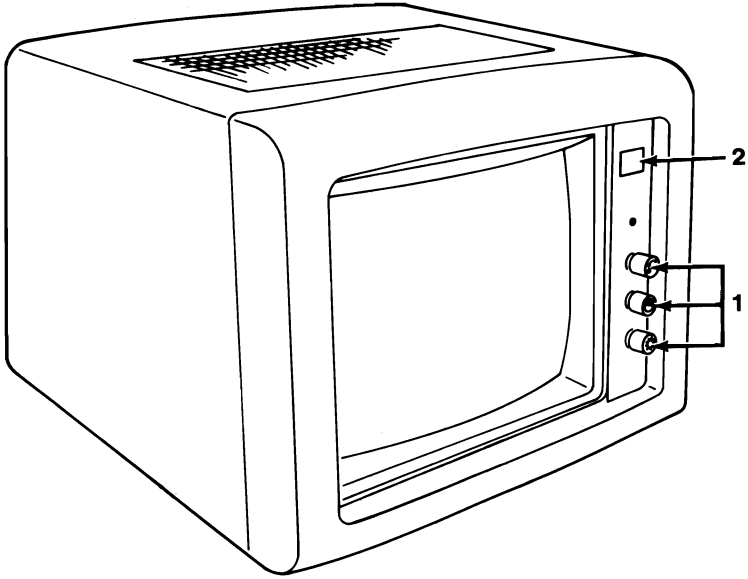
Assembly 20. Enhanced Color Display (5154)



Enhanced Color Display (5154)

ASM - INDEX	PART NUMBER	UNITS	DESCRIPTION
20 -	6321035		Display Assembly, Model 001
	6321049		Display Assembly, Model 002
	6321036		Display Assembly, Model 003
- 1	6321056	1	<ul style="list-style-type: none"> • Knob and Cover Cap Kit •• Knob, On/Off (Qty 1) •• Knob, Contrast (Qty 1) •• Knob, Brightness (Qty 1) •• Cap, Cover (Qty 2) •• Knob, Rear (Qty 2)
- 2	6321061	R	<ul style="list-style-type: none"> • Logo and Label Kit •• Logo, Back •• Labels, Bottom Cover Warning (Five Languages)
- NS	6323319	1	<ul style="list-style-type: none"> • Rubber Foot Kit •• Rubber Feet (Qty 4) •• Washers (Qty 4) •• Screws (Qty 4)
- NS	6321050	R	• Cover, Front
- NS	6321051	R	• Cover, Rear
- NS	6321052	R	• Main P.C. Board Assembly/Chassis/ CRT Drive Card
- NS	6321053	R	• Power Supply with Cover
- NS	6321054	R	• Video Amp. Assembly/RGB Cable and Connector
- NS	6321055	R	• Control Assembly, Front
- NS	6321057	R	• Indicator, Power-On
- NS	6321058	R	• Rear Control Panel Assembly/ Strain Relief
- NS	6321059	R	• Signal Cable
- NS	6135903	R	• Degaussing Coil
- NS	6321064	R	<ul style="list-style-type: none"> • Miscellaneous Hardware Kit •• Washers, CRT Rubber Mounting (Qty 4) •• Shield, Plastic Drive Board (Qty 1) •• Retainers, Plastic Shield (Qty 2)
- NS	6321060	R	• Model 001/Model 002 CRT and Deflection Yoke Assembly, includes Wires, Ground Band, and CRT Warning Label
- NS	6321063	R	• Model 003 CRT and Deflection Yoke Assembly, includes Wires, Ground Band, and CRT Warning Label
- NS	6182313	AR	Shipping Carton
- NS	6182056	AR	Shipping Cushion, Front
- NS	6182057	AR	Shipping Cushion, Back
- NS	6182319	AR	Shipping Bag

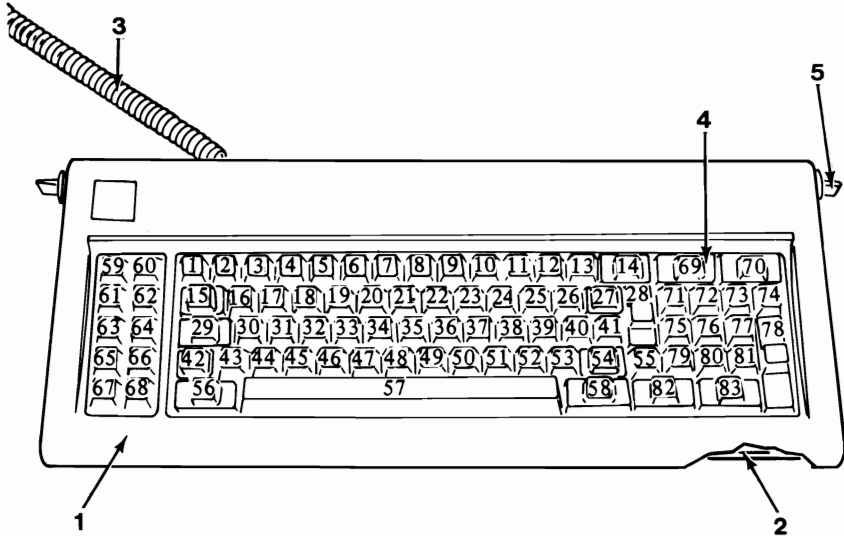
Assembly 21. Professional Graphics Display (5175)



Professional Graphics Display (5175)

ASM - INDEX	PART NUMBER	UNITS	DESCRIPTION
21 -	6181764		Display Assembly, Domestic US
-	6181766	R	Display Assembly, Northern Hemisphere
-	6181767	R	Display Assembly, Southern Hemisphere
-	6133988	R	Display Assembly, North America
- 1	6133993	1	• Knob and Cover Cap Kit •• Cover Caps (Qty 2) •• Knob Set, Front (Qty 3)
- 2	6133997	R	• Logo & Label Kit •• Name Plate, Front, IBM •• Name Plate, Back, IBM •• Labels, Warning Bottom Cover
- NS	6321050	R	• Cover, Front
- NS	6321051	R	• Cover, Rear
- NS	6133989	R	• Main PCB Assembly/Chassis/ CRT Drive Card
- NS	6133990	R	• Power Supply with Cover
- NS	6133991	R	• Video AMP Assembly/RGB Cable and Connector
- NS	6133992	R	• Control Assembly, Front
- NS	6321057	R	• Indicator, Power-On
- NS	6133994	R	• Signal Cable
- NS	6133995	R	• CRT & Deflection Yoke Assembly with Wires/Tubes, Warning Labels (GND Band) (Northern Hemisphere)
- NS	6133996	R	• CRT & Deflection Yoke Assembly with Wires/Tubes, Warning Labels (GND Band) (Southern Hemisphere)
- NS	6323319	1	• Rubber Feet Kit
- NS	6321064	R	• Miscellaneous Hardware Kit •• Washers, CRT Mounting Rubber •• Shield, Plastic Board •• Shield Retainers, Plastic Type
- NS	6133998	R	• Rating Label, Model 002
- NS	6133999	R	• Rating Label, Model 003
- NS	6134000	R	• Rating Label, Model 004
- NS	6182313	AR	Shipping Carton
- NS	6182056	AR	Shipping Cushion, Front
- NS	6182057	AR	Shipping Cushion, Back
- NS	6182319	AR	Shipping Bag
- NS		1	Power Cord (See Power Cord Parts List)

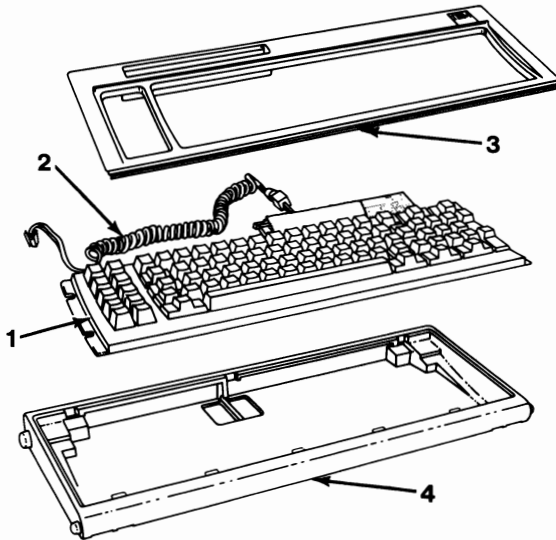
Assembly 22. Keyboard (83-Key for 5150 and 5160)



ASM - INDEX	PART NUMBER	UNITS	DESCRIPTION
22 -	8529297	1	Keyboard Assembly, US
- 1	8529170	1	• Cover Assembly
- 2	8529169	1	• Base Assembly
- 3	8529168	1	• Cable Assembly
- 4	4584656	1	• Keypad Assembly, US
- 4	8529239	R	• Keypad Assembly, France
- 4	8529240	R	• Keypad Assembly, Germany
- 4	8529241	R	• Keypad Assembly, Italy
- 4	8529242	R	• Keypad Assembly, Spain
- 4	8529243	R	• Keypad Assembly, UK
- 5	8529157	1	• Adjustable Foot

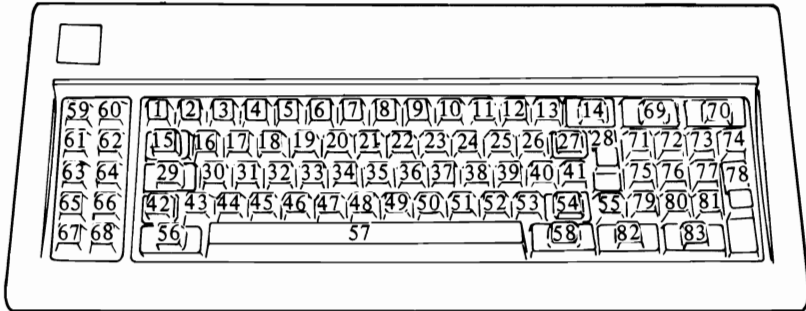
Note: Adjustable foot spring is included in the Miscellaneous Parts Kit for the system unit.

Assembly 23. Keyboard (83-Key for 5155)



ASM - INDEX	PART NUMBER	UNITS	DESCRIPTION
23 -	8654422	1	Keyboard Assembly w/cable, US
-	8654432	R	Keyboard Assembly w/cable, French
-	8654429	R	Keyboard Assembly w/cable, German
-	8654431	R	Keyboard Assembly w/cable, Italian
-	8654430	R	Keyboard Assembly w/cable, Spanish
-	8654428	R	Keyboard Assembly w/cable, UK
- 1	4586161	1	• Keypad Assembly, US
- 1	8654437	1	• Keypad Assembly, French
- 1	8654434	1	• Keypad Assembly, German
- 1	8654436	1	• Keypad Assembly, Italian
- 1	8654435	1	• Keypad Assembly, Spanish
- 1	8654433	1	• Keypad Assembly, UK
- 2	8654426	1	• Cable Assembly
- 3	8654425	1	• Top Cover
- 4	8654424	1	• Bottom Cover
- NS	8654443	1	• Misc Parts Kit, Keyboard •• Foot Support (Qty 2) •• Cup, Spring (Qty 2) •• Spring (Qty 2) •• Cup Plunger (Qty 2) •• Pin, Support (Qty 2) •• Spring, Plunger (Qty 2) •• Pad (Qty 5) •• Screw, Plastite (Qty 2)

Assembly 24. Keybutton Kits (83-Key)



ASM - INDEX	PART NUMBER	UNITS	DESCRIPTION
24 -	4584657	1	Keybutton Kit, US *
-	8654270	1	Keybutton Kit, France **
-	8654271	1	Keybutton Kit, Germany **
-	8654272	1	Keybutton Kit, Italy **
-	8654273	1	Keybutton Kit, Spain **
-	8654274	1	Keybutton Kit, UK **

* Complete set of keybuttons as listed on the page 49.

** Kit contains only the keybuttons listed for the specified country group on the next page.

Keybutton Kit Contents by Country

Country Group Italy	
Key Location	Description
3	"/2
4	£/3
7	&/6
8	//7
9	(/8
10)/9
11	=/0
12	?/'
13	~/;
26	é/è
27	*/+
39	@/à
40	#/à
41	\$/ù
43	>/<
51	:/.
52	:/.
53*	_/-

Country Group U.K.	
Key Location	Description
3	"/2
4	£/3
40	@/'
41	~/#

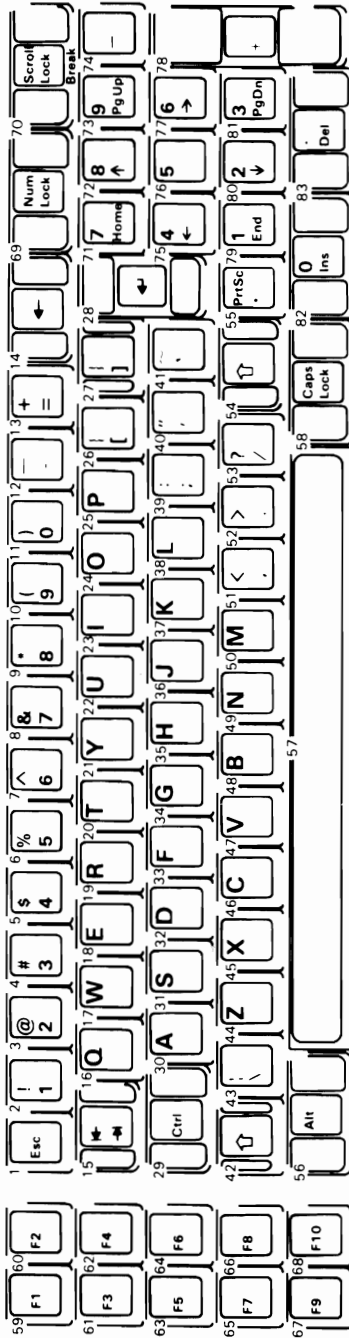
Country Group France	
Key Location	Description
2	1/&
3	2/é
4	3/'
5	4/'
6	5/(
7	6/§
8	7/è
9	8/!
10	9/ç
11	0/à
12	°/)
13*	_/-
16*	A
17*	Z
26	~/^
27	*/\$
30*	Q
39*	M
40	%/ù
41	£/µ
43	>/<
44*	W
50	?/.
51	:/.
52	//:
53*	+ / =

Country Group Germany	
Key Location	Description
3	"/2
4	\$/3
7	&/6
8	//7
9	(/8
10)/9
11	=/0
12	?/ß
13	~/
21	Z
26	Ü
27	*/+
39	Ö
40	Ä
41	^/#
43	>/<
44	Y
51	:/.
52	:/.
53*	_/-

Country Group Spain	
Key Location	Description
2	¡/1
3	¿/2
7	//6
26	~/
27	~/\
39	Ñ
40*	:/.
41	Ç
43	>/<
51	?/.
52	!/.
53*	"/
55	PrtScr/↵

*Not included in kit. For reference only. Order from U.S. keyboard.

Assembly 25. Keybuttons (83-Key)



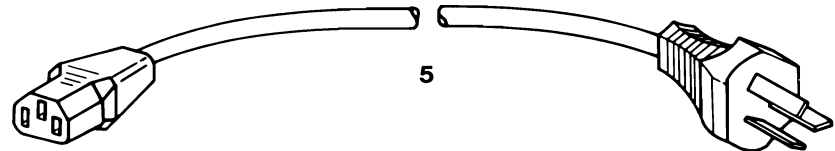
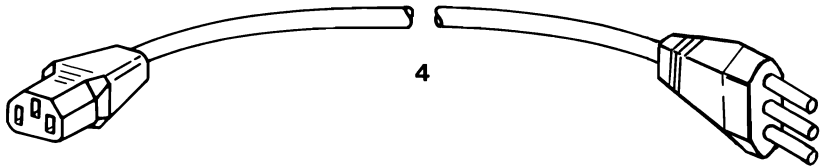
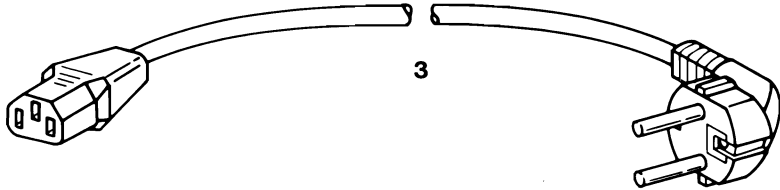
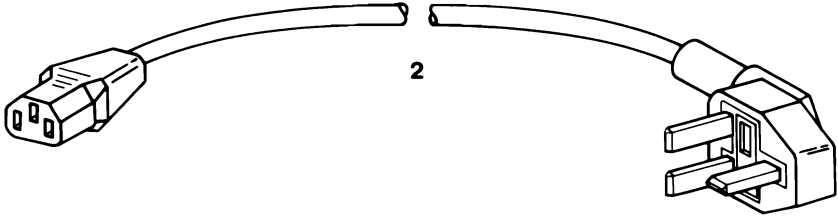
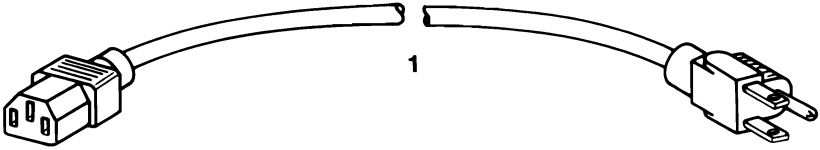
Note: Nomenclature is on both the top and front face of keybuttons as shown. The number to the upper left designates the button position.

Keybuttons (83-Key)

KEY LOCATION	PART NUMBER	DESCRIPTION	KEY LOCATION	PART NUMBER	DESCRIPTION
1	4584714	Esc	43	5997221	/\
2	1761460	!/1	44	2658860	Z
3	1642308	@/2	45	2658861	X
4	1642309	#/3	46	2658862	C
5	1642342	\$/4	47	2658863	V
6	1642343	%/5	48	2658864	B
7	4496183	^/6	49	2658865	N
8	2658824	&/7	50	2658866	M
9	2658825	*/8	51	1864026	</,
10	2658826	(/9	52	1864027	>/.
11	2658827)/0	53	2658869	?//
12	1761515	/-	54	2658870	␣
13	2658829	+/=	55	4584718	*/PrtSc
14	1643315	←	56	1643330	Alt
15	1643316	←/→	57	N/A	Space Bar
16	2658832	Q	58	4584719	Caps Lock
17	2658833	W	59	4584720	F1
18	2658834	E	60	4584721	F2
19	2658835	R	61	4584722	F3
20	2658836	T	62	4584723	F4
21	2658837	Y	63	4584724	F5
22	2658838	U	64	4584725	F6
23	2658839	I	65	4584726	F7
24	2658840	O	66	4584727	F8
25	2658841	P	67	4584728	F9
26	4585286	{/[68	4584729	F10
27	4585288	}/]	69	4584730	Num Lock
28	5184235	←	70	4584731	Scroll Lock
29	4584717	Ctrl	71	4584732	7/Home
30	2658846	A	72	4584733	8/↑
31	2658847	S	73	4584734	9/PgUp
32	2658848	D	74	1761511	- (Minus)
33	2658849	F	75	4584735	4/←
34	2658850	G	76	2658892	5
35	2658851	H	77	4584736	6/→
36	2658852	J	78	1761513	+ (Plus)
37	2658853	K	79	4584737	1/End
38	2658854	L	80	4584738	2/↑
39	2658855	;/i	81	4584739	3/PgDn
40	4584779	ii/i	82	4584740	0/Ins
41	1642306	~/'	83	4584741	./Del
42	2658858	␣			

Part numbers for complete keybutton sets are on page 46.

Assembly 26. Power Cords



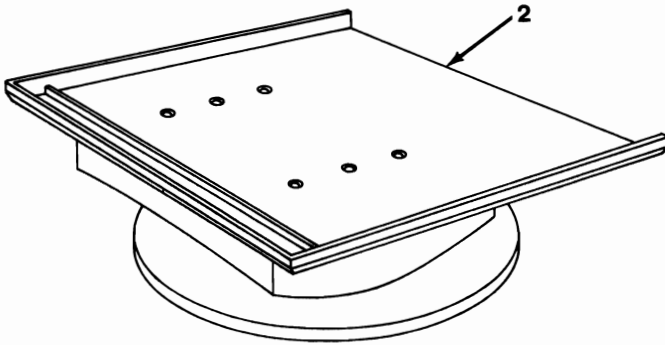
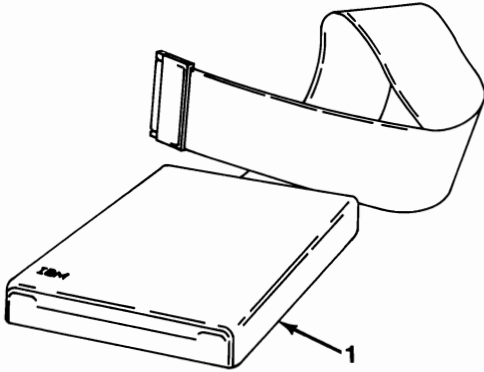
Power Cords

ASM - INDEX	PART NUMBER	UNITS	DESCRIPTION
26 - 1	8529158	1	Power Cord, US Power Cord, Venezuela Power Cord, Colombia
- 2	8529341	1	Power Cord, UK Power Cord, Hong Kong Power Cord, Singapore
- 3	8529281	1	Power Cord, Germany Power Cord, France Power Cord, Spain
- 4	8529282	1	Power Cord, Italy
- 5	8529284	1	Power Cord, Australia Power Cord, New Zealand

Warning:

Use only the proper Power Cord certified for your country.

Assembly 27. Miscellaneous



Miscellaneous

ASM - INDEX	PART NUMBER	UNITS	DESCRIPTION
27 - 1	6181769	1	Data Acquisition Distribution Panel
- 2	8286199	1	Display Stand
	8286200	R	• Platter, Bottom
	8286201	R	• Platter, Top
	8286202	R	• Skirt, Back
- NS	8529228	AR	Printer Adapter Wrap Plug
- NS	8529280	AR	Communications Adapter Wrap Plug
- NS	6323481	AR	Cluster Terminating Plug
- NS	6323712	AR	Data Acquisition Wrap Plug
- NS	6138013	AR	Plastic Envelope, Wrap Plug

Notes:

