



# ThinkPad 56W DC Power Adapter

---

*User's Guide*

OPTIONS  
*by IBM*

**Note:** If you are using this product in the United States, Canada, or Puerto Rico, be sure to read the information under Appendix B, “Product Warranty” on page 2-3 before using this information and the product it supports.

*For all other countries, the warranty terms and conditions applicable in the country of purchase are available from IBM or your reseller.*

### **First Edition (September 1998)**

**The following paragraph does not apply to the United Kingdom or any country where such provisions are inconsistent with local law:** INTERNATIONAL BUSINESS MACHINES CORPORATION PROVIDES THIS PUBLICATION “AS IS” WITHOUT WARRANTY OF ANY KIND, EITHER EXPRESS OR IMPLIED, INCLUDING, BUT NOT LIMITED TO, THE IMPLIED WARRANTIES OF MERCHANTABILITY OR FITNESS FOR A PARTICULAR PURPOSE. Some states do not allow disclaimer of express or implied warranties in certain transactions, therefore, this statement may not apply to you.

This publication could include technical inaccuracies or typographical errors. Changes are periodically made to the information herein; these changes will be incorporated in new editions of the publication. IBM may make improvements and/or changes in the product(s) and/or the program(s) described in this publication at any time.

This publication was developed for products and services offered in the United States of America. IBM may not offer the products, services, or features discussed in this document in other countries, and the information is subject to change without notice. Consult your local IBM representative for information on the products, services, and features available in your area.

Requests for technical information about IBM products should be made to your IBM reseller or IBM marketing representative.

**Copyright International Business Machines Corporation 1998. All rights reserved.**

Note to U.S. Government Users — Documentation related to restricted rights — Use, duplication or disclosure is subject to restrictions set forth in GSA ADP Schedule Contract with IBM Corp.

## *Contents*

**Registering Your Option** . . . . . iv

**About This Book** . . . . . v

---

**Part 1: Quick Installation Guide** . . . . . 1-1

---

**Part 2: Appendixes** . . . . . 2-1

**Appendix A. Help and Service Information** . . . . . 2-1

Step 1. Problem Solving . . . . . 2-1

Step 2: Preparing for the Call . . . . . 2-2

Step 3: Placing the Call to IBM . . . . . 2-2

**Appendix B. Product Warranty** . . . . . 2-3

**Appendix C. Notices** . . . . . 2-5

**Appendix D. Trademarks** . . . . . 2-6

**Appendix E. Electronic Emission Notices** . . . . . 2-7

## ***Registering Your Option***

Thank you for purchasing OPTIONS by IBM. Please take a few moments to register your product and provide us with information that will help IBM to better serve you in the future. Your feedback is valuable to us in developing products and services that are important to you, as well as in developing better ways to communicate with you. Register your option on the IBM Web site at:

<http://www.pc.ibm.com/register>

IBM will send you information and updates on your registered product unless you indicate on the Web site questionnaire that you do not want to receive further information.

## ***About This Book***

This manual contains information on the ThinkPad 56W DC Power Adapter. It is divided into the following parts:

**Part 1:** Quick Installation instructions, in the following languages:

- English
- German
- French
- Spanish
- Italian
- Brazilian Portuguese
- Japanese

**Part 2:** Help and service information, warranty and notices

You can find information on how to get help, technical support, and warranty service in Appendix A, “Help and Service Information” on page 2-1.

**Note:** The illustrations in this manual might be slightly different from your hardware.



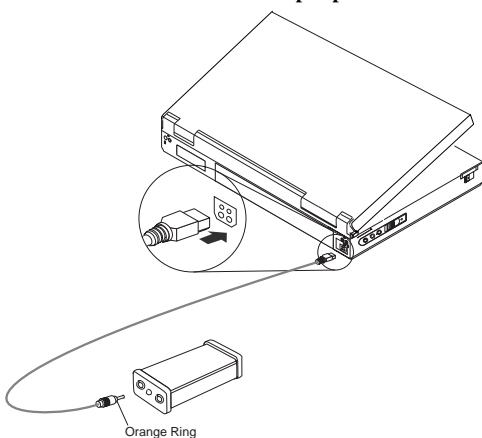
---

## Part 1: Quick Installation Guide

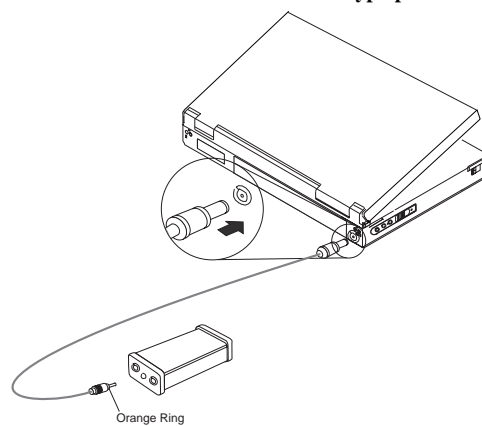
### Step 1

There are three cables in your option package. One of the cables connects the Power Adapter to the DC electricity source. The other two cables are designed to connect to different types of ThinkPad power connectors. Refer to the following illustrations to determine which of the power connector cables to use with your ThinkPad.

**For ThinkPad models with a 4-pin power cable:**

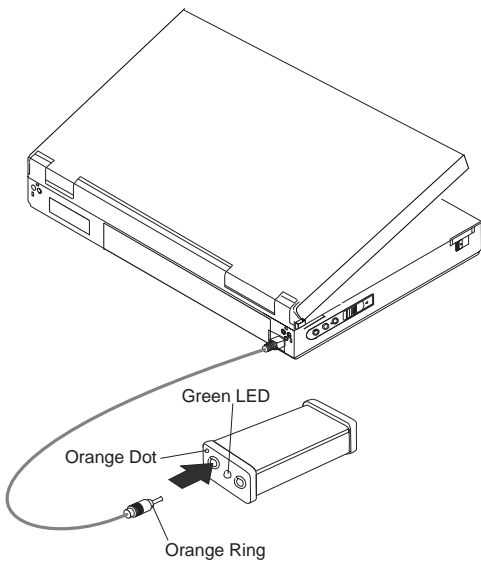


**For ThinkPad models with a barrel-type power cable:**



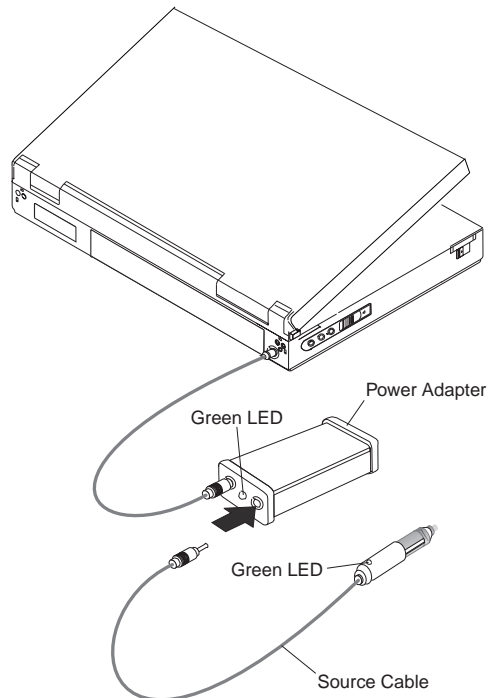
## Step 2

Locate the plug marked with an orange ring. Insert it into the receptacle marked with an orange dot on the Power Adapter. Insert the plug until the orange ring is no longer visible.



## Step 3

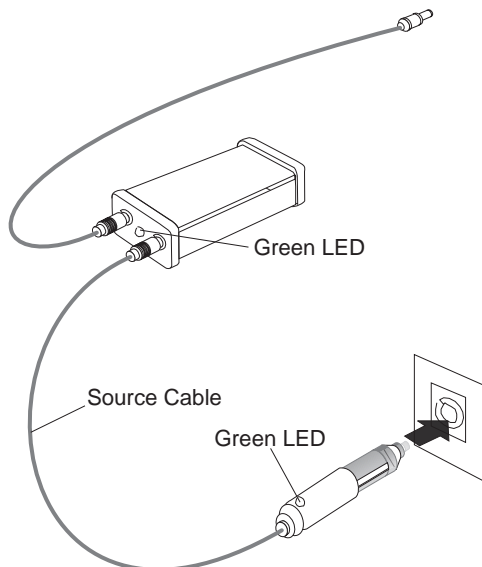
Locate the source cable (illustrated below), and plug it into the receptacle on the Power Adapter. The metal part of the plug should not be visible when the plug is fully inserted.





## Step 4

Plug the source cable into the receptacle of the power source (for example, your car's cigarette lighter). The green LED on the plug will light up when the cable is plugged into an active power source. When the power adapter is connected to a ThinkPad and power is supplied, the green LED on the Power Adapter will light up.

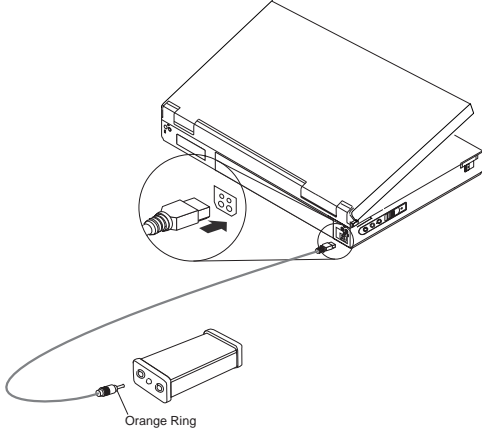


# Quick Installation (German)

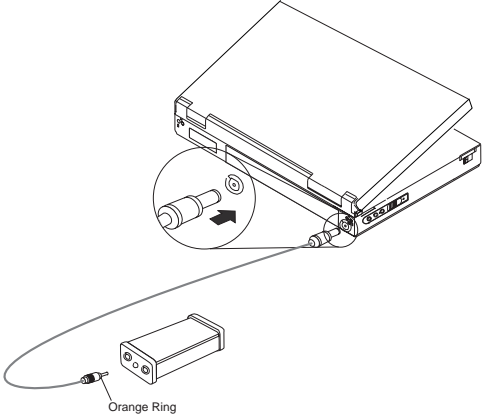
## Step 1

There are three cables in your option package. One of the cables connects the Power Adapter to the DC electricity source. The other two cables are designed to connect to different types of ThinkPad power connectors. Refer to the following illustrations to determine which of the power connector cables to use with your ThinkPad.

**For ThinkPad models with a 4-pin power cable:**

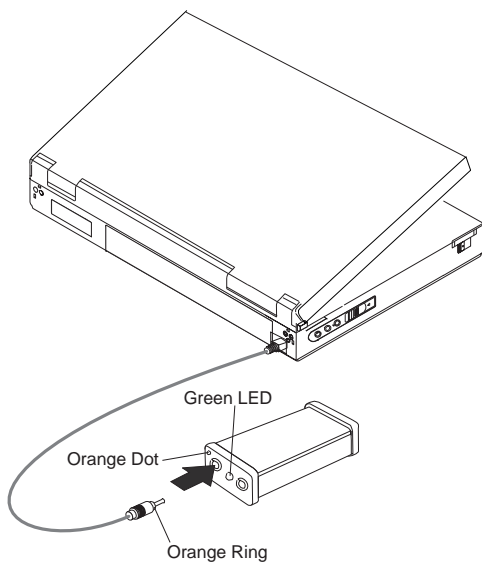


**For ThinkPad models with a barrel-type power cable:**



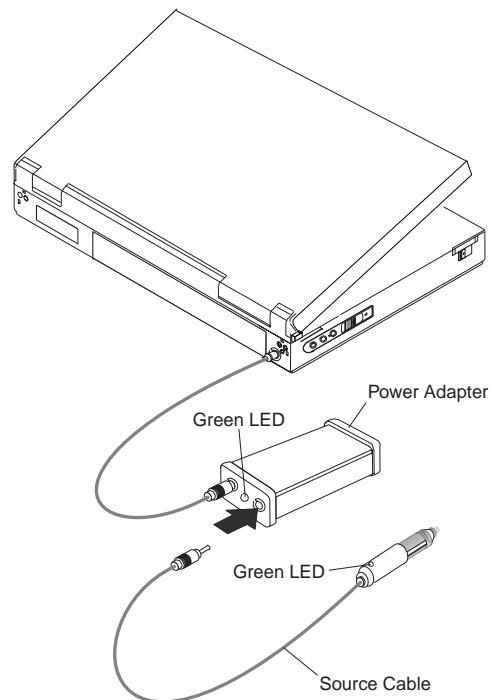
## Step 2

Locate the plug marked with an orange ring. Insert it into the receptacle marked with an orange dot on the Power Adapter. Insert the plug until the orange ring is no longer visible.



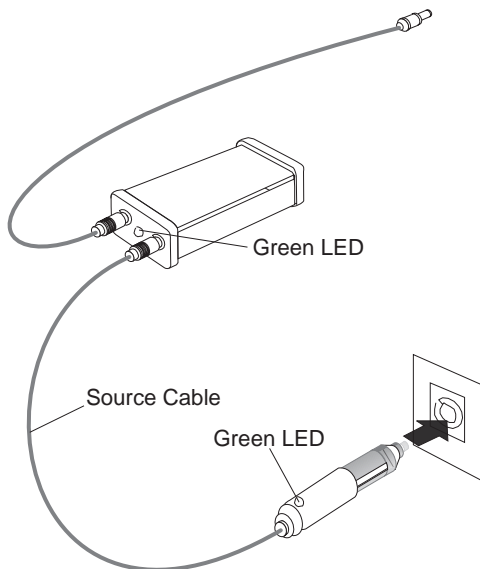
## Step 3

Locate the source cable (illustrated below), and plug it into the receptacle on the Power Adapter. The metal part of the plug should not be visible when the plug is fully inserted.



## Step 4

Plug the source cable into the receptacle of the power source (for example, your car's cigarette lighter). The green LED on the plug will light up when the cable is plugged into an active power source. When the power adapter is connected to a ThinkPad and power is supplied, the green LED on the Power Adapter will light up.



## Product Registration

Thank you for purchasing OPTIONS by IBM. Please take a few moments to register your product and provide us with information that will help IBM to better serve you in the future. Your feedback is valuable to us in developing products and services that are important to you, as well as in developing better ways to communicate with you. Register your option on the IBM Web site at:

<http://www.pc.ibm.com/register>

IBM will send you information and updates on your registered product unless you indicate on the Web site questionnaire that you do not want to receive further information.

## Product Service and Warranty Information

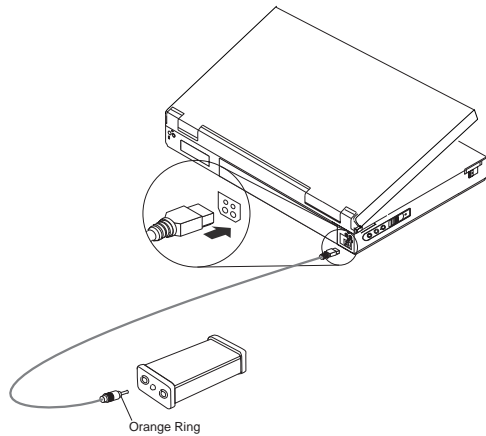
For technical support, support hours, and warranty terms and conditions, see the enclosed inserts, or contact your IBM reseller or IBM marketing representative.

## ***Quick Installation (French)***

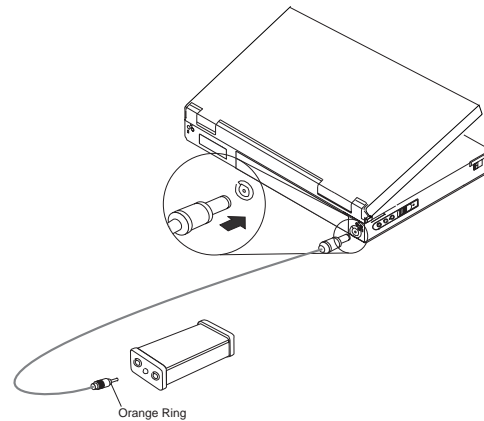
### ***Step 1***

There are three cables in your option package. One of the cables connects the Power Adapter to the DC electricity source. The other two cables are designed to connect to different types of ThinkPad power connectors. Refer to the following illustrations to determine which of the power connector cables to use with your ThinkPad.

**For ThinkPad models with a 4-pin power cable:**

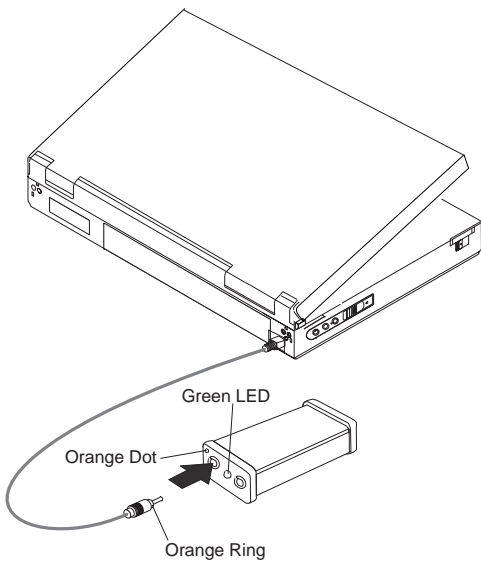


**For ThinkPad models with a barrel-type power cable:**



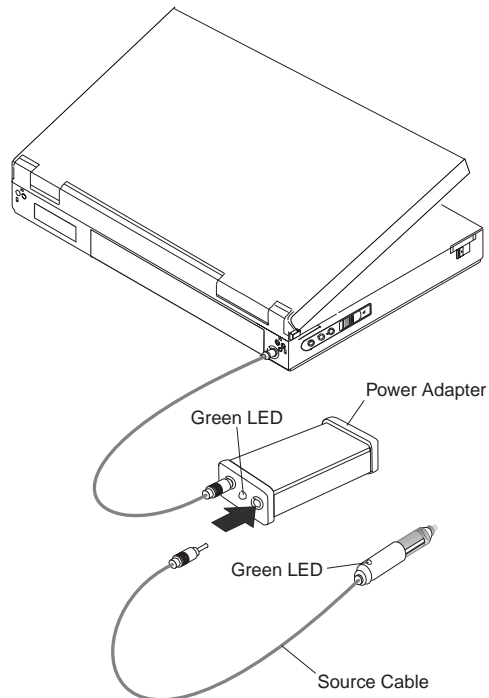
## Step 2

Locate the plug marked with an orange ring. Insert it into the receptacle marked with an orange dot on the Power Adapter. Insert the plug until the orange ring is no longer visible.



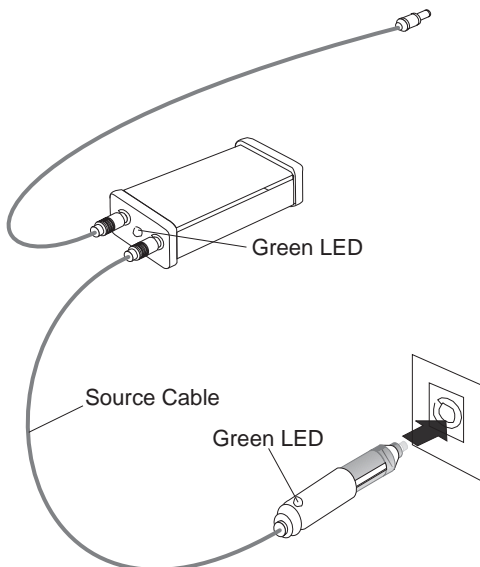
## Step 3

Locate the source cable (illustrated below), and plug it into the receptacle on the Power Adapter. The metal part of the plug should not be visible when the plug is fully inserted.



## Step 4

Plug the source cable into the receptacle of the power source (for example, your car's cigarette lighter). The green LED on the plug will light up when the cable is plugged into an active power source. When the power adapter is connected to a ThinkPad and power is supplied, the green LED on the Power Adapter will light up.



## Product Registration

Thank you for purchasing OPTIONS by IBM. Please take a few moments to register your product and provide us with information that will help IBM to better serve you in the future. Your feedback is valuable to us in developing products and services that are important to you, as well as in developing better ways to communicate with you. Register your option on the IBM Web site at:

<http://www.pc.ibm.com/register>

IBM will send you information and updates on your registered product unless you indicate on the Web site questionnaire that you do not want to receive further information.

## Product Service and Warranty Information

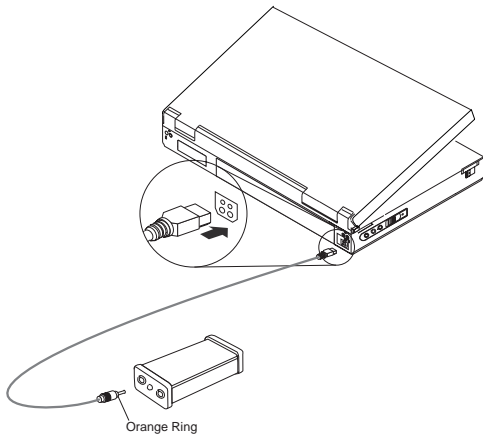
For technical support, support hours, and warranty terms and conditions, see the enclosed inserts, or contact your IBM reseller or IBM marketing representative.

## *Quick Installation (Spanish)*

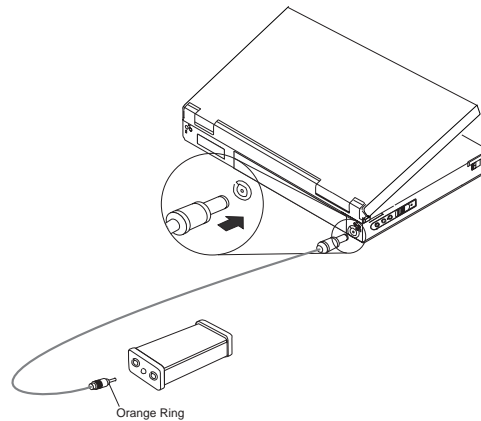
### *Step 1*

There are three cables in your option package. One of the cables connects the Power Adapter to the DC electricity source. The other two cables are designed to connect to different types of ThinkPad power connectors. Refer to the following illustrations to determine which of the power connector cables to use with your ThinkPad.

**For ThinkPad models with a 4-pin power cable:**



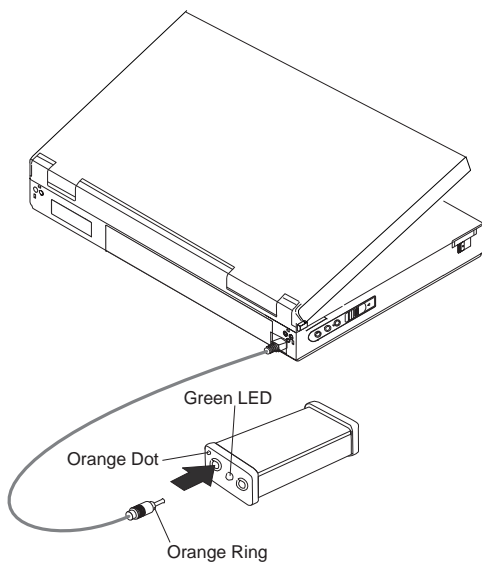
**For ThinkPad models with a barrel-type power cable:**





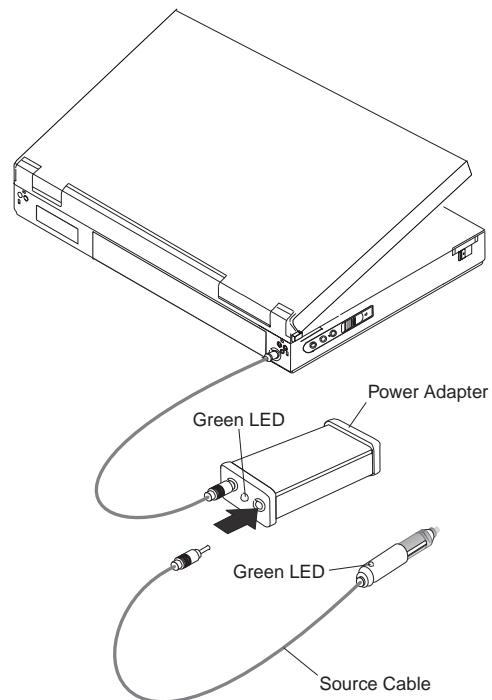
## Step 2

Locate the plug marked with an orange ring. Insert it into the receptacle marked with an orange dot on the Power Adapter. Insert the plug until the orange ring is no longer visible.



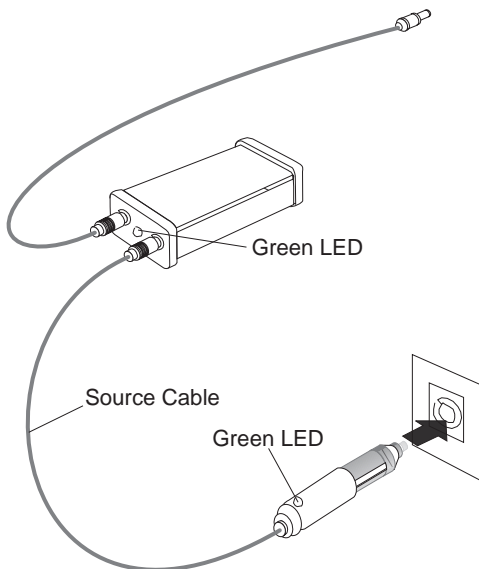
## Step 3

Locate the source cable (illustrated below), and plug it into the receptacle on the Power Adapter. The metal part of the plug should not be visible when the plug is fully inserted.



## Step 4

Plug the source cable into the receptacle of the power source (for example, your car's cigarette lighter). The green LED on the plug will light up when the cable is plugged into an active power source. When the power adapter is connected to a ThinkPad and power is supplied, the green LED on the Power Adapter will light up.



## Product Registration

Thank you for purchasing OPTIONS by IBM. Please take a few moments to register your product and provide us with information that will help IBM to better serve you in the future. Your feedback is valuable to us in developing products and services that are important to you, as well as in developing better ways to communicate with you. Register your option on the IBM Web site at:

<http://www.pc.ibm.com/register>

IBM will send you information and updates on your registered product unless you indicate on the Web site questionnaire that you do not want to receive further information.

## Product Service and Warranty Information

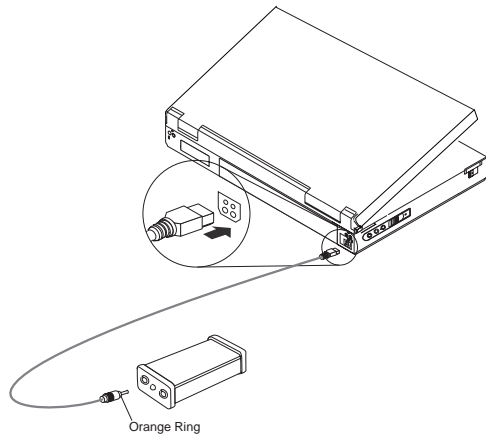
For technical support, support hours, and warranty terms and conditions, see the enclosed inserts, or contact your IBM reseller or IBM marketing representative.

## ***Quick Installation (Italian)***

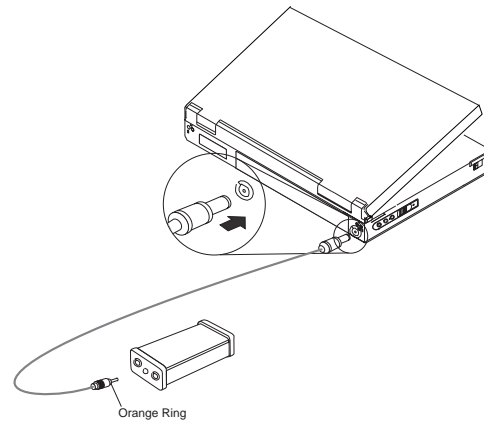
### ***Step 1***

There are three cables in your option package. One of the cables connects the Power Adapter to the DC electricity source. The other two cables are designed to connect to different types of ThinkPad power connectors. Refer to the following illustrations to determine which of the power connector cables to use with your ThinkPad.

**For ThinkPad models with a 4-pin power cable:**

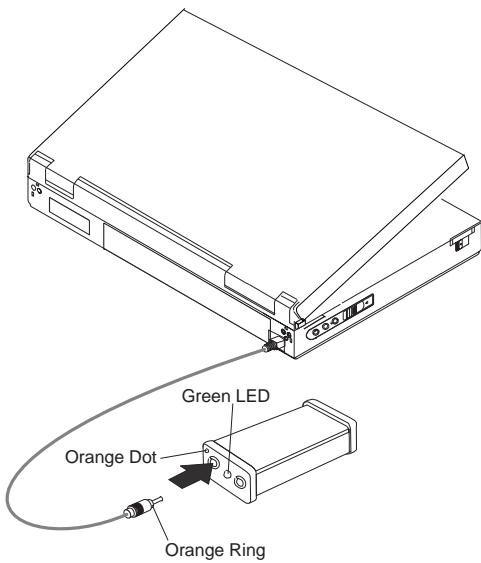


**For ThinkPad models with a barrel-type power cable:**



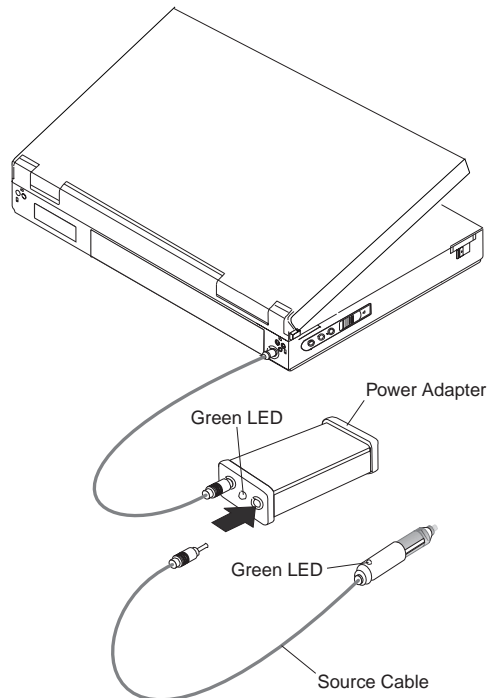
## Step 2

Locate the plug marked with an orange ring. Insert it into the receptacle marked with an orange dot on the Power Adapter. Insert the plug until the orange ring is no longer visible.



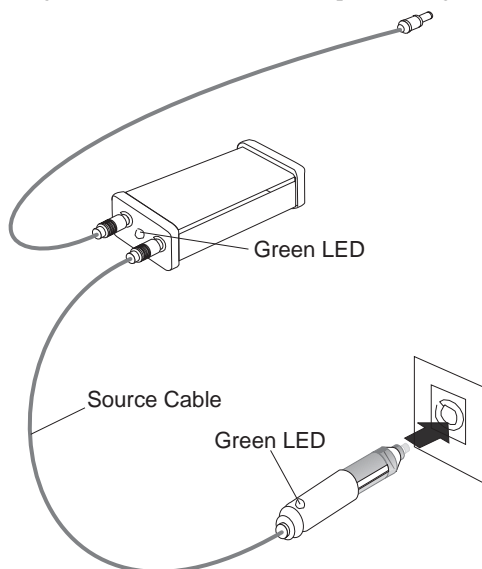
## Step 3

Locate the source cable (illustrated below), and plug it into the receptacle on the Power Adapter. The metal part of the plug should not be visible when the plug is fully inserted.



## Step 4

Plug the source cable into the receptacle of the power source (for example, your car's cigarette lighter). The green LED on the plug will light up when the cable is plugged into an active power source. When the power adapter is connected to a ThinkPad and power is supplied, the green LED on the Power Adapter will light up.



## Product Registration

Thank you for purchasing OPTIONS by IBM. Please take a few moments to register your product and provide us with information that will help IBM to better serve you in the future. Your feedback is valuable to us in developing products and services that are important to you, as well as in developing better ways to communicate with you. Register your option on the IBM Web site at:

<http://www.pc.ibm.com/register>

IBM will send you information and updates on your registered product unless you indicate on the Web site questionnaire that you do not want to receive further information.

## Product Service and Warranty Information

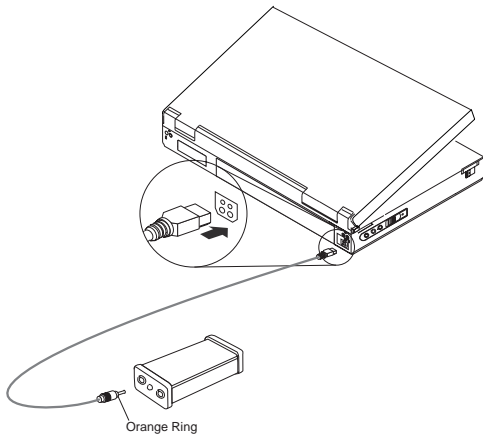
For technical support, support hours, and warranty terms and conditions, see the enclosed inserts, or contact your IBM reseller or IBM marketing representative.

## *Quick Installation (B. Portuguese)*

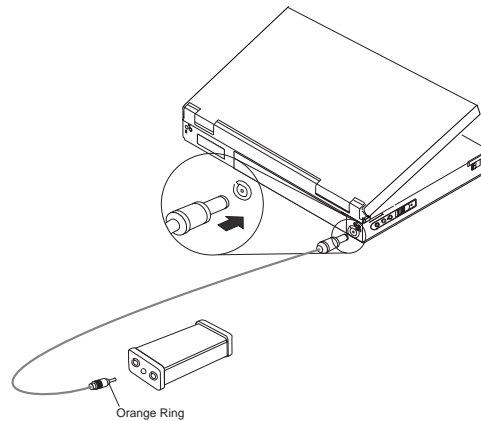
### *Step 1*

There are three cables in your option package. One of the cables connects the Power Adapter to the DC electricity source. The other two cables are designed to connect to different types of ThinkPad power connectors. Refer to the following illustrations to determine which of the power connector cables to use with your ThinkPad.

**For ThinkPad models with a 4-pin power cable:**

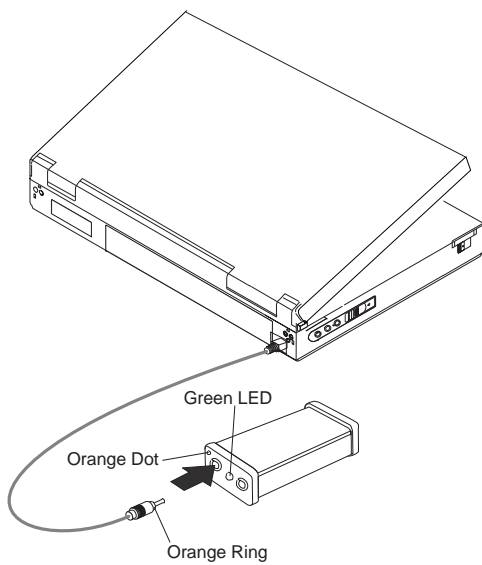


**For ThinkPad models with a barrel-type power cable:**



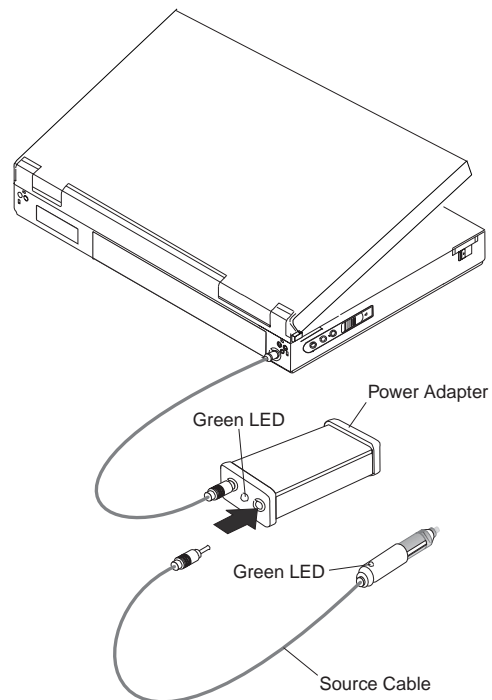
## Step 2

Locate the plug marked with an orange ring. Insert it into the receptacle marked with an orange dot on the Power Adapter. Insert the plug until the orange ring is no longer visible.



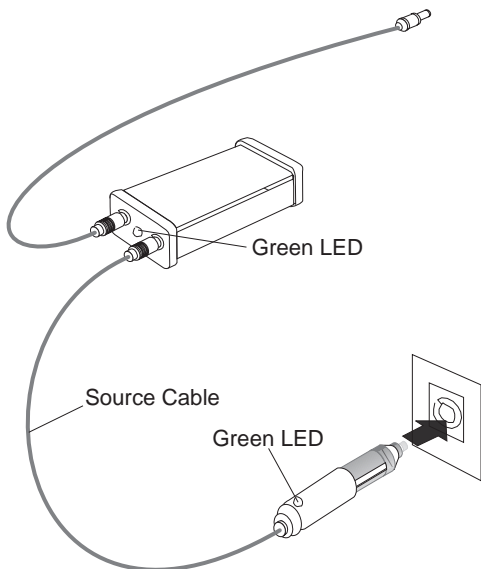
## Step 3

Locate the source cable (illustrated below), and plug it into the receptacle on the Power Adapter. The metal part of the plug should not be visible when the plug is fully inserted.



## Step 4

Plug the source cable into the receptacle of the power source (for example, your car's cigarette lighter). The green LED on the plug will light up when the cable is plugged into an active power source. When the power adapter is connected to a ThinkPad and power is supplied, the green LED on the Power Adapter will light up.



## Product Registration

Thank you for purchasing OPTIONS by IBM. Please take a few moments to register your product and provide us with information that will help IBM to better serve you in the future. Your feedback is valuable to us in developing products and services that are important to you, as well as in developing better ways to communicate with you. Register your option on the IBM Web site at:

<http://www.pc.ibm.com/register>

IBM will send you information and updates on your registered product unless you indicate on the Web site questionnaire that you do not want to receive further information.

## Product Service and Warranty Information

For technical support, support hours, and warranty terms and conditions, see the enclosed inserts, or contact your IBM reseller or IBM marketing representative.

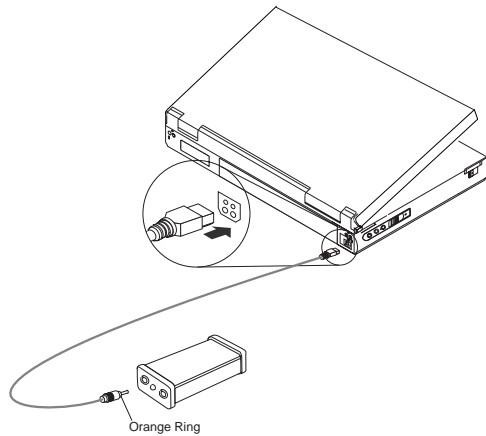


## ***Quick Installation (Japanese)***

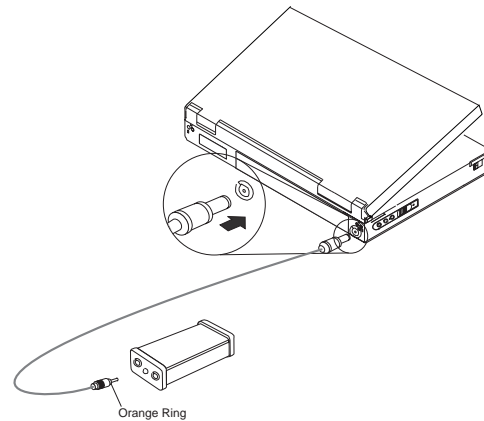
### ***Step 1***

There are three cables in your option package. One of the cables connects the Power Adapter to the DC electricity source. The other two cables are designed to connect to different types of ThinkPad power connectors. Refer to the following illustrations to determine which of the power connector cables to use with your ThinkPad.

**For ThinkPad models with a 4-pin power cable:**

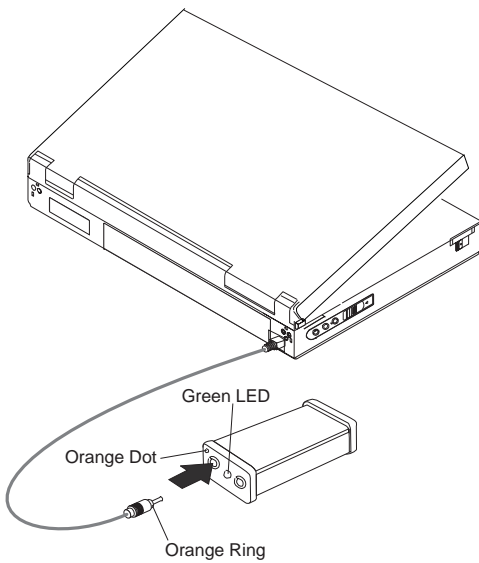


**For ThinkPad models with a barrel-type power cable:**



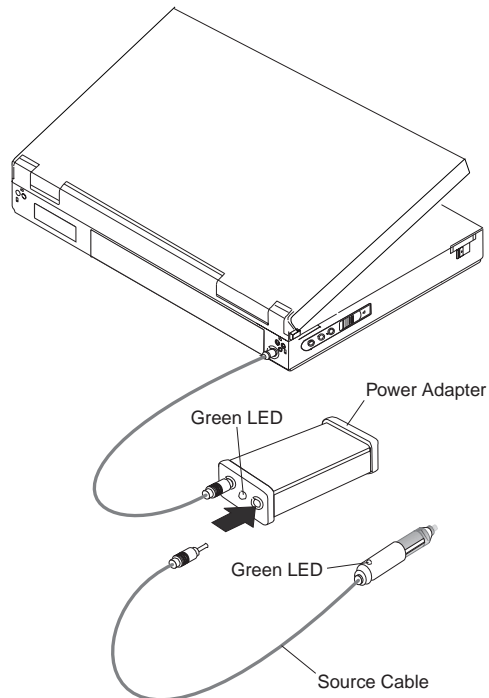
## Step 2

Locate the plug marked with an orange ring. Insert it into the receptacle marked with an orange dot on the Power Adapter. Insert the plug until the orange ring is no longer visible.



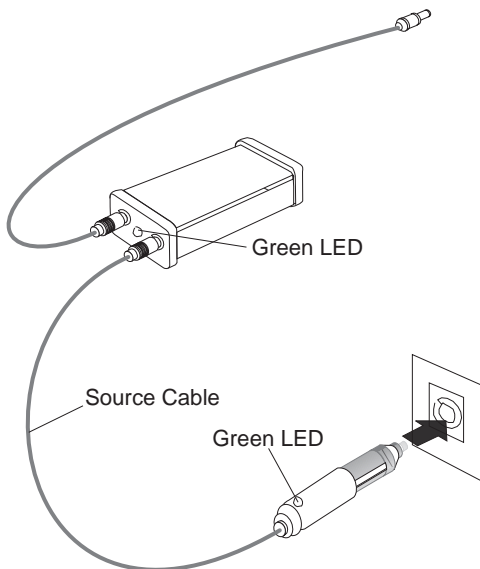
## Step 3

Locate the source cable (illustrated below), and plug it into the receptacle on the Power Adapter. The metal part of the plug should not be visible when the plug is fully inserted.



## Step 4

Plug the source cable into the receptacle of the power source (for example, your car's cigarette lighter). The green LED on the plug will light up when the cable is plugged into an active power source. When the power adapter is connected to a ThinkPad and power is supplied, the green LED on the Power Adapter will light up.



## Product Registration

Thank you for purchasing OPTIONS by IBM. Please take a few moments to register your product and provide us with information that will help IBM to better serve you in the future. Your feedback is valuable to us in developing products and services that are important to you, as well as in developing better ways to communicate with you. Register your option on the IBM Web site at:

<http://www.pc.ibm.com/register>

IBM will send you information and updates on your registered product unless you indicate on the Web site questionnaire that you do not want to receive further information.

## Product Service and Warranty Information

For technical support, support hours, and warranty terms and conditions, see the enclosed inserts, or contact your IBM reseller or IBM marketing representative.



### *Appendix A. Help and Service Information*

If you have questions about your new Options by IBM product, or require technical assistance, visit the IBM Personal Computing Web site at <http://www.pc.ibm.com> for information about IBM, Options by IBM, or IBM Service and Support. Additionally, you can receive information from the IBM Automated Fax system at 1-800-426-3395 (in Canada, 1-800-465-3299), or from the Personal Systems Group Bulletin Board System (PSG BBS) at 1-919-517-0001. You can also get help and information through the IBM PC HelpCenter, 24 hours a day, seven days a week. Response time may vary depending on the number and nature of the calls received.

Marketing, installation, and configuration support through the HelpCenter will be withdrawn or made available for a fee, at IBM's discretion, 90 days after the option has been withdrawn from marketing. Additional support offerings, including step-by-step installation assistance, are available for a nominal fee.

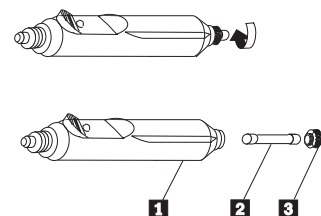
During the warranty period, assistance for replacement or exchange of defective components is available. In addition, if your IBM option is installed in an IBM computer, you might be entitled to service at your location. Your technical support representative can help you determine the best alternative.

---

#### Step 1. Problem Solving

You may be able to solve the problem yourself. Before calling the HelpCenter, try the following troubleshooting procedure.

**If the LED on the DC Voltage Source plug does not come on:** If you have attached all the cables for the adapter correctly, the LED on the DC Voltage Source plug should come on. This indicates that the current is flowing through the plug and cable. The DC Voltage Source plug has an 8.0 amp fuse inside it. If the LED does not come on at the proper time, the fuse may need to be replaced. Refer to the illustration below as you read the instructions for removing and replacing the fuse.



To replace the fuse:

1. Remove the locking ring 3 from the end of the DC Voltage Source plug by turning it in a counter-clockwise direction.
2. Remove the locking ring and contact pin from the plug. Be sure to keep them together.
3. Slide the fuse 2 from the body of the plug 1, and replace with a duplicate 8 amp fuse. Make sure the replacement fuse **does not exceed 8 amp**, as that could damage your adapter.

If you replace the fuse and the LED still does not come on, call the HelpCenter.

**If the LED on the adapter itself does not come on:** Check to make sure all cables are completely attached. Check to make sure that your ThinkPad is working correctly. The DC Power Adapter has thermal overload protection. If the cables are attached correctly and the ThinkPad is working correctly, leave the Power Adapter disconnected for 30 minutes, then reconnect it to the ThinkPad and to the DC power source. If the LED still does not come on, call the HelpCenter.

If you are installing this option in an IBM computer, you can also visit the applicable Web page for that computer model. These pages might also contain useful hints and tips related to installation of this option and might refer to BIOS or device-driver updates required for your computer model.

---

## Step 2: Preparing for the Call

To assist the technical support representative, have available as much of the following information as possible:

1. Option name
2. Option number
3. Proof of purchase
4. Computer manufacturer, model, serial number (if IBM), and manual
5. Exact wording of the error message (if any)
6. Description of the problem
7. Hardware and software configuration information for your system

If possible, be at your computer. Your technical support representative might want to walk you through the problem during the call.

---

## Step 3: Placing the Call to IBM

If you call 90 days or more after the date of withdrawal or after your warranty has expired, you might be charged a fee.

For the support telephone number and support hours by country, refer to the following table or to the enclosed technical support insert. If the number is not provided, contact your IBM reseller or IBM marketing representative.

<i>Support 24 hours a day, 7 days a week</i>	
Canada	1-800-565-3344
U.S.A. / Puerto Rico	1-800-772-2227

## Additional Technical Support Resources

Online technical support is available during the life of your product. Online assistance can be obtained through the IBM Automated Fax System, the Personal Computing Web page, and the PSG Electronic Bulletin Board System.

<i>Online Technical Support</i>	
IBM Personal Computing Web Page	www.pc.ibm.com
IBM PSG BBS	1-919-517-0001
IBM Automated Fax System	1-800-426-3395 1-800-465-3299 (in Canada)

## Appendix B. Product Warranty

The following warranty information applies to products purchased in the United States, Canada, and Puerto Rico. For warranty terms and conditions for products purchased in other countries, see the enclosed Warranty insert, or contact your IBM reseller or IBM marketing representative.

International Business Machines Corporation

Armonk, New York, 10504

### Statement of Limited Warranty

*The warranties provided by IBM in this Statement of Limited Warranty apply only to Machines you originally purchase for your use, and not for resale, from IBM or your reseller. The term "Machine" means an IBM machine, its features, conversions, upgrades, elements, or accessories, or any combination of them.*

*Unless IBM specifies otherwise, the following warranties apply only in the country where you acquire the Machine. If you have any questions, contact IBM or your reseller.*

**Machine:** ThinkPad 56W DC Power Adapter

**Warranty Period\*:** One Year

*\*Contact your place of purchase for warranty service information.*

### Production Status

Each Machine is manufactured from new parts, or new and used parts. In some cases, the Machine may not be new and may have been previously installed. Regardless of the Machine's production status, IBM's warranty terms apply.

### The IBM Warranty for Machines

IBM warrants that each Machine 1) is free from defects in materials and workmanship and 2) conforms to IBM's Official Published Specifications. The warranty period for a Machine is a specified, fixed period commencing on its Date of Installation. The date on your receipt is the Date of Installation, unless IBM or your reseller informs you otherwise.

During the warranty period IBM or your reseller, if authorized by IBM, will provide warranty service under the type of service designated for the Machine and will manage and install engineering changes that apply to the Machine.

For IBM or your reseller to provide warranty service for a feature, conversion, or upgrade, IBM or your reseller may require that the Machine on which it is installed be 1) for certain Machines, the designated, serial-numbered Machine and 2) at an engineering-change level compatible with the feature, conversion, or upgrade. Many of these transactions involve the removal of parts and their return to IBM. You represent that all removed parts are genuine and unaltered.

A part that replaces a removed part will assume the warranty service status of the replaced part.

If a Machine does not function as warranted during the warranty period, IBM or your reseller will repair it or replace it with one that is at least functionally equivalent, without charge. The replacement may not be new, but will be in good working order. If IBM or your reseller is unable to repair or replace the Machine, you may return it to your place of purchase and your money will be refunded.

If you transfer a Machine to another user, warranty service is available to that user for the remainder of the warranty period. You should give your proof of purchase and this Statement to that user. However, for Machines which have a life-time warranty, this warranty is not transferable.

### **Warranty Service**

To obtain warranty service for the Machine, you should contact your reseller or call IBM. In the United States, call IBM at **1-800-772-2227**. In Canada, call IBM at **1-800-565-3344**. You may be required to present proof of purchase.

IBM or your reseller will provide certain types of repair and exchange service, either at your location or at IBM's or your reseller's service center, to restore a Machine to good working order.

When a type of service involves the exchange of a Machine or part, the item IBM or your reseller replaces becomes its property and the replacement becomes yours. You represent that all removed items are genuine and unaltered. The replacement may not be new, but will be in good working order and at least functionally equivalent to the item replaced. The replacement assumes the warranty service status of the replaced item. Before IBM or your reseller exchanges a Machine or part, you agree to remove all features, parts, options, alterations, and attachments not under warranty service. You also agree to ensure that the Machine is free of any legal obligations or restrictions that prevent its exchange.

You agree to:

1. obtain authorization from the owner to have IBM or your reseller service a Machine that you do not own; and
2. where applicable, before service is provided —
  - a. follow the problem determination, problem analysis, and service request procedures that IBM or your reseller provide,
  - b. secure all programs, data, and funds contained in a Machine, and
  - c. inform IBM or your reseller of changes in a Machine's location.

IBM is responsible for loss of, or damage to, your Machine while it is 1) in IBM's possession or 2) in transit in those cases where IBM is responsible for the transportation charges.

### **Extent of Warranty**

IBM does not warrant uninterrupted or error-free operation of a Machine.

The warranties may be voided by misuse, accident, modification, unsuitable physical or operating environment, improper maintenance by you, removal or alteration of Machine or parts identification labels, or failure caused by a product for which IBM is not responsible.

THESE WARRANTIES REPLACE ALL OTHER WARRANTIES OR CONDITIONS, EXPRESS OR IMPLIED, INCLUDING, BUT NOT LIMITED TO, THE IMPLIED WARRANTIES OR CONDITIONS OF MERCHANTABILITY AND FITNESS FOR A PARTICULAR PURPOSE. THESE WARRANTIES GIVE YOU SPECIFIC LEGAL RIGHTS AND YOU MAY ALSO HAVE OTHER RIGHTS WHICH VARY FROM JURISDICTION TO JURISDICTION. SOME JURISDICTIONS DO NOT ALLOW THE EXCLUSION OR LIMITATION OF EXPRESS OR IMPLIED WARRANTIES, SO THE ABOVE EXCLUSION OR LIMITATION MAY NOT APPLY TO YOU. IN THAT EVENT SUCH WARRANTIES ARE LIMITED IN



DURATION TO THE WARRANTY PERIOD. NO WARRANTIES APPLY AFTER THAT PERIOD.

**Limitation of Liability**

Circumstances may arise where, because of a default on IBM's part or other liability you are entitled to recover damages from IBM. In each such instance, regardless of the basis on which you are entitled to claim damages from IBM (including fundamental breach, negligence, misrepresentation, or other contract or tort claim), IBM is liable only for:

1. damages for bodily injury (including death) and damage to real property and tangible personal property; and
2. the amount of any other actual direct damages or loss, up to the greater of U.S. \$100,000 or the charges (if recurring, 12 months' charges apply) for the Machine that is the subject of the claim.

UNDER NO CIRCUMSTANCES IS IBM LIABLE FOR ANY OF THE FOLLOWING: 1) THIRD-PARTY CLAIMS AGAINST YOU FOR LOSSES OR DAMAGES (OTHER THAN THOSE UNDER THE FIRST ITEM LISTED ABOVE); 2) LOSS OF, OR DAMAGE TO, YOUR RECORDS OR DATA; OR 3) SPECIAL, INCIDENTAL, OR INDIRECT DAMAGES OR FOR ANY ECONOMIC CONSEQUENTIAL DAMAGES (INCLUDING LOST PROFITS OR SAVINGS), EVEN IF IBM OR YOUR RESELLER IS INFORMED OF THEIR POSSIBILITY. SOME JURISDICTIONS DO NOT ALLOW THE EXCLUSION OR LIMITATION OF INCIDENTAL OR CONSEQUENTIAL DAMAGES, SO THE ABOVE EXCLUSION OR LIMITATION MAY NOT APPLY TO YOU.

***Appendix C.  
Notices***

References in this publication to IBM products, programs, or services do not imply that IBM intends to make these available in all countries in which IBM operates. Any reference to an IBM product, program, or service is not intended to state or imply that only that IBM product, program, or service may be used. Subject to IBM's valid intellectual property or other legally protectable rights, any functionally equivalent product, program, or service may be used instead of the IBM product, program, or service. The evaluation and verification of operation in conjunction with other products, except those expressly designated by IBM, are the responsibility of the user.

IBM may have patents or pending patent applications covering subject matter in this document. The furnishing of this document does not give you any license to these patents. You can send license inquiries, in writing, to:

IBM Director of Licensing  
IBM Corporation  
500 Columbus Avenue  
Thornwood, NY 10594  
U.S.A.

## ***Appendix D.*** ***Trademarks***

The following terms are trademarks of the IBM Corporation in the United States or other countries or both:

IBM  
ThinkPad  
HelpCenter

Microsoft and Windows are trademarks or registered trademarks of Microsoft Corporation.

Other company, product, and service names may be trademarks or service marks of others.

## ***Appendix E.*** ***Electronic Emission Notices***

ThinkPad 56W DC Power Adapter

### **Federal Communications Commission (FCC) Statement**

**Note:** This equipment has been tested and found to comply with the limits for a Class B digital device, pursuant to Part 15 of the FCC Rules. These limits are designed to provide reasonable protection against harmful interference in a residential installation. This equipment generates, uses, and can radiate radio frequency energy and, if not installed and used in accordance with the instructions, may cause harmful interference to radio communications. However, there is no guarantee that interference will not occur in a particular installation. If this equipment does cause harmful interference to radio or television reception, which can be determined by turning the equipment off and on, the user is encouraged to try to correct the interference by one or more of the following measures:

- Reorient or relocate the receiving antenna.
- Increase the separation between the equipment and receiver.
- Connect the equipment into an outlet on a circuit different from that to which the receiver is connected.
- Consult an IBM authorized dealer or service representative for help.

Properly shielded and grounded cables and connectors must be used in order to meet FCC emission limits. Proper cables and connectors are available from IBM authorized dealers. IBM is not responsible for any radio or television interference caused by using other than recommended cables and connectors or by unauthorized changes or modifications to this equipment. Unauthorized changes or modifications could void the user's authority to operate the equipment.

This device complies with Part 15 of the FCC Rules. Operation is subject to the following two conditions: (1) this device may not cause harmful interference, and (2) this device must accept any interference received, including interference that may cause undesired operation.

Responsible Party:

International Business Machines Corporation  
New Orchard Road  
Armonk, NY 10504  
Telephone: 1-919-543-2193

### **Industry Canada Class B Emission Compliance Statement**

This Class B digital apparatus complies with Canadian ICES-003.

### **Avis de conformité à la réglementation d'Industrie Canada**

Cet appareil numérique de la classe B est conforme à la norme NMB-003 du Canada.

### **Deutsche EMV-Direktive (electromagnetische Verträglichkeit)**

Dieses Gerät ist berechtigt in Übereinstimmung mit dem deutschen EMVG vom 9.Nov.92 das EG-Konformitätszeichen zu führen.

Der Aussteller der Konformitätserklärung ist die IBM UK, Greenock.

Dieses Gerät erfüllt die Bedingungen der EN 55022 Klasse B.

## **European Union - Emission Directive**

This product is in conformity with the protection requirements of EU Council Directive 89/366/ECC on the approximation of the laws of the Member States relating to electromagnetic compatibility.

IBM can not accept responsibility for any failure to satisfy the protection requirements resulting from a non-recommended modification of the product, including the fitting of non-IBM option cards.

This product has been tested and found to comply with the limits for Class B Information Technology Equipment according to CISPR 22 / European Standard EN 55022. The limits for Class B equipment were derived for typical residential environments to provide reasonable protection against interference with licensed communication devices.

## **Union Européenne - Directive Conformité électromagnétique**

Ce produit est conforme aux exigences de protection de la Directive 89/336/EEC du Conseil de l'UE sur le rapprochement des lois des États membres en matière de compatibilité électromagnétique.

IBM ne peut accepter aucune responsabilité pour le manquement aux exigences de protection résultant d'une modification non recommandée du produit, y compris l'installation de cartes autres que les cartes IBM.

Ce produit a été testé et il satisfait les conditions de l'équipement informatique de Classe B en vertu de CISPR22 / Standard européen EN 55022. Les conditions pour l'équipement de Classe B ont été définies en fonction d'un contexte résidentiel ordinaire afin de fournir une protection raisonnable contre l'interférence d'appareils de communication autorisés.

## **Unione Europea - Directiva EMC (Conformidad electromagnética)**

Este producto satisface los requisitos de protección del Consejo de la UE, Directiva 89/336/CEE en lo que a la legislación de los Estados Miembros sobre compatibilidad electromagnética se refiere.

IBM no puede aceptar responsabilidad alguna si este producto deja de satisfacer dichos requisitos de protección como resultado de una modificación no recomendada del producto, incluyendo el ajuste de tarjetas de opción que no sean IBM.

Este producto ha sido probado y satisface los límites para Equipos Informáticos Clase B de conformidad con el Estándar CISPR22 y el Estándar Europeo EN 55022. Los límites para los equipos de Clase B se han establecido para entornos residenciales típicos a fin de proporcionar una protección razonable contra las interferencias con dispositivos de comunicación licenciados.

## Union Europea - Normativa EMC

Questo prodotto è conforme alle normative di protezione ai sensi della Direttiva del Consiglio dell'Unione Europea 89/336/CEE sull'armonizzazione legislativa degli stati membri in materia di compatibilità elettromagnetica.

IBM non accetta responsabilità alcuna per la mancata conformità alle normative di protezione dovuta a modifiche non consigliate al prodotto, compresa l'installazione di schede e componenti di marca diversa da IBM.

Le prove effettuate sul presente prodotto hanno accertato che esso rientra nei limiti stabiliti per le apparecchiature di informatica Classe B ai sensi del CISPR 22 / Norma Europea EN 55022. I limiti delle apparecchiature della Classe B sono stati stabiliti al fine di fornire ragionevole protezione da interferenze mediante dispositivi di comunicazione in concessione in ambienti residenziali tipici.

この装置は、情報処理装置等電波障害自主規制協議会（VCCI）の基準に基づくクラスB情報技術装置です。この装置は、家庭環境で使用することを目的としていますが、この装置がラジオやテレビジョン受信機に近接して使用されると、受信障害を引き起こすことがあります。  
取扱説明書に従って正しい取り扱いをして下さい。

# IBM

Part Number: 05L1655

Printed in U.S.A.

5L1655

