

Personal Computer

Installing Options in Your Personal Computer

PC 300PL Type 6892

PC 300GL Type 6285

Personal Computer

Installing Options in Your Personal Computer

PC 300PL Type 6892

PC 300GL Type 6285



Note

Before using this information and the product it supports, be sure to read the general information under Appendix D, "Notices" on page 91.

First Edition (May 1998)

The following paragraph does not apply to the United Kingdom or any country where such provisions are inconsistent with local law: INTERNATIONAL BUSINESS MACHINES CORPORATION PROVIDES THIS PUBLICATION "AS IS" WITHOUT WARRANTY OF ANY KIND, EITHER EXPRESS OR IMPLIED, INCLUDING, BUT NOT LIMITED TO, THE IMPLIED WARRANTIES OF MERCHANTABILITY OR FITNESS FOR A PARTICULAR PURPOSE. Some states do not allow disclaimer of express or implied warranties in certain transactions, therefore, this statement may not apply to you.

This publication could include technical inaccuracies or typographical errors. Changes are periodically made to the information herein; these changes will be incorporated in new editions of the publication. IBM may make improvements and/or changes in the product(s) and/or the program(s) described in this publication at any time.

This publication was developed for products and services offered in the United States of America. IBM may not offer the products, services, or features discussed in this document in other countries, and the information is subject to change without notice. Consult your local IBM representative for information on the products, services, and features available in your area.

Requests for technical information about IBM products should be made to your IBM reseller or IBM marketing representative.

© Copyright International Business Machines Corporation 1998. All rights reserved.

Note to U.S. Government Users — Documentation related to restricted rights — Use, duplication or disclosure is subject to restrictions set forth in GSA ADP Schedule Contract with IBM Corp.

Contents

| | |
|--|------|
| Safety Information | v |
| Laser Compliance Statement | vi |
| Lithium Battery Notice | vii |
| | |
| About This Book | viii |
| How This Book Is Organized | ix |
| Related Publications | x |
| | |
| Chapter 1. Overview | 1 |
| Available Options and Features | 2 |
| Tools Required | 3 |
| Electrical Safety | 4 |
| Handling Static-Sensitive Devices | 5 |
| | |
| Chapter 2. Preparing to Install or Remove Options | 6 |
| Disconnecting Cables and Removing the Cover | 6 |
| Locating Components | 9 |
| Internal View | 9 |
| External View | 10 |
| Input/Output Connectors | 11 |
| | |
| Chapter 3. Working with Options on the System Board | 12 |
| Accessing the System Board | 13 |
| Identifying Parts on the System Board | 13 |
| Working with System Memory | 14 |
| Memory Configuration | 15 |
| Installing a Memory Module | 16 |
| Removing a Memory Module | 18 |
| Installing a Video-Memory Module | 20 |
| Replacing a Microprocessor | 22 |
| | |
| Chapter 4. Working with Adapters | 26 |
| Riser Card | 27 |
| Adapter Configuration | 29 |
| Plug and Play Adapters | 29 |
| Legacy Adapters | 30 |
| Installing Adapters in the Riser Card | 31 |
| Removing Adapters from the Riser Card | 34 |
| Installing an AGP Adapter | 37 |
| Opening the Bottom Cover | 39 |

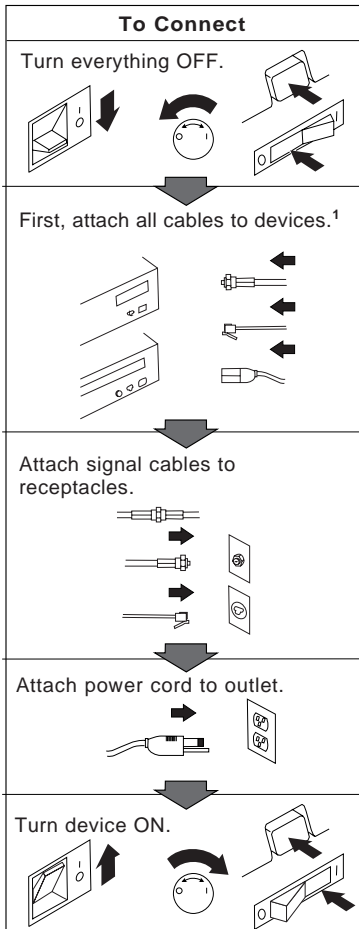
| | |
|---|-----------|
| Moving the System Board | 41 |
| Moving the Front Fan | 44 |
| Chapter 5. Working with Internal Drives | 46 |
| Internal Drives | 47 |
| Drive Bay Specifications | 48 |
| Power and Signal Cables | 49 |
| Working with Drives in Bays 1, 2, 3, or 4 | 51 |
| Removable Drive Cage Instructions | 52 |
| Non-Removable Drive Cage Instructions | 60 |
| Working with Drives in Bays 5 and 6 | 67 |
| Chapter 6. Working with Security Options | 70 |
| Installing a U-Bolt | 71 |
| Erasing Lost or Forgotten Passwords | 73 |
| Chapter 7. Completing the Installation | 76 |
| Replacing the Cover and Connecting the Cables | 77 |
| Updating the Computer Configuration | 79 |
| Starting the Configuration/Setup Utility Program | 80 |
| Changing Settings and Exiting | 82 |
| Configuring an ISA Legacy Adapter | 83 |
| Configuring Startup Devices | 84 |
| Appendix A. PC 300PL Asset Security Settings | 86 |
| Appendix B. Changing the Battery | 87 |
| Appendix C. Interrupt and DMA Resources | 89 |
| Appendix D. Notices | 91 |
| Trademarks | 91 |
| Index | 92 |

Safety Information

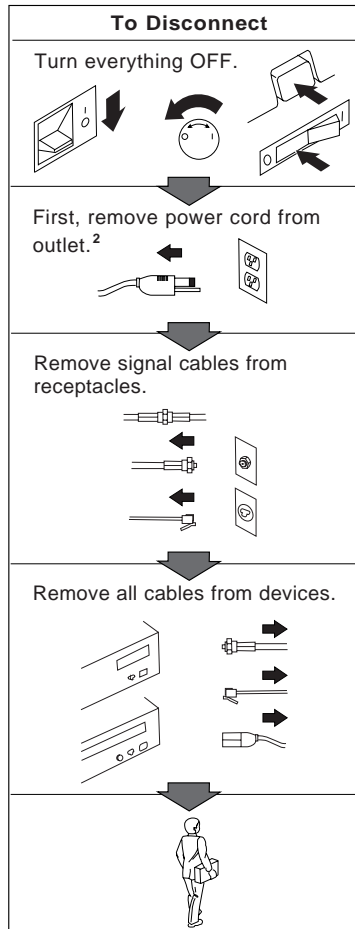


DANGER:

Electrical current from power, telephone, and communication cables is hazardous. To avoid shock hazard, connect and disconnect cables as shown below when installing, moving or opening the covers of this product or attached devices. The power cord must be used with a properly grounded outlet.



¹ In the U.K., by law, the telephone cable must be connected after the power cord.



² In the U.K., by law, the power cord must be disconnected after the telephone line cable.

Laser Compliance Statement

Some IBM Personal Computer models are equipped from the factory with a CD-ROM drive. CD-ROM drives are also sold separately as options. The CD-ROM drive is a laser product. The CD-ROM drive is certified in the U.S. to conform to the requirements of the Department of Health and Human Services 21 Code of Federal Regulations (DHHS 21 CFR) Subchapter J for Class 1 laser products. Elsewhere, the drive is certified to conform to the requirements of the International Electrotechnical Commission (IEC) 825 and CENELEC EN 60 825 for Class 1 laser products.

When a CD-ROM drive is installed, note the following.

CAUTION:

Use of controls or adjustments or performance of procedures other than those specified herein might result in hazardous radiation exposure.

Removing the covers of the CD-ROM drive could result in exposure to hazardous laser radiation. There are no serviceable parts inside the CD-ROM drive. **Do not remove the CD-ROM drive covers.**

Some CD-ROM drives contain an embedded Class 3A or Class 3B laser diode. Note the following.

DANGER

Laser radiation when open. Do not stare into the beam, do not view directly with optical instruments, and avoid direct exposure to the beam.

Lithium Battery Notice

CAUTION:

Danger of explosion if battery is incorrectly replaced.

When replacing the battery, use only IBM Part Number 33F8354 or an equivalent type battery recommended by the manufacturer. The battery contains lithium and can explode if not properly used, handled, or disposed of.

Do not:

- **Throw or immerse into water**
- **Heat to more than 100°C (212°F)**
- **Repair or disassemble**

Dispose of the battery as required by local ordinances or regulations.

ATTENTION

Danger d'explosion en cas de remplacement incorrect de la batterie.

Remplacer uniquement par une batterie IBM de type 33F8354 ou d'un type équivalent recommandé par le fabricant. La batterie contient du lithium et peut exploser en cas de mauvaise utilisation, de mauvaise manipulation ou de mise au rebut inappropriée.

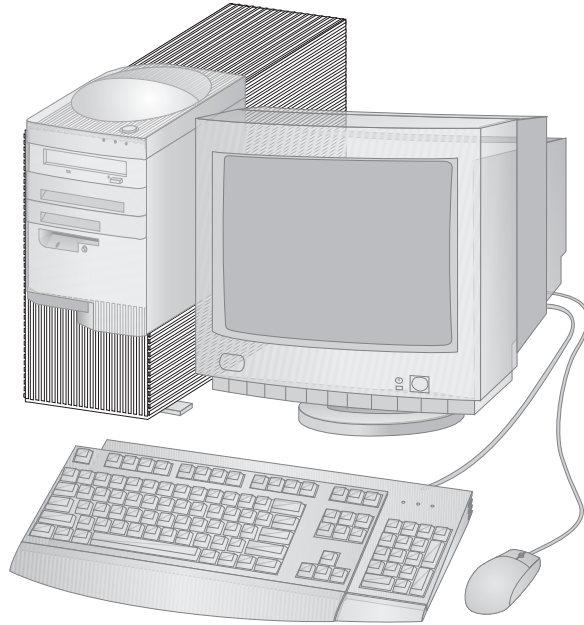
Ne pas :

- **Lancer ou plonger dans l'eau**
- **Chauffer à plus de 100°C (212°F)**
- **Réparer ou désassembler**

Mettre au rebut les batteries usagées conformément aux règlements locaux.

About This Book

Thank you for selecting an IBM Personal Computer.



This book provides instructions for installing, removing, and replacing most options. Also, this book contains information that will help you decide which options to add to your computer.

This publication provides information for the PC 300PL and the PC 300GL. Some illustrations in this publication might be different from your hardware.

How This Book Is Organized

This book contains the following chapters and appendixes:

- Chapter 1, “Overview” provides an introduction to the options and features for your computer. Safety precautions and handling techniques are discussed along with the required tools you will need to install and remove options.
- Chapter 2, “Preparing to Install or Remove Options” provides instructions for removing the cover and cables for your computer and for locating the components with which you want to work.
- Chapter 3, “Working with Options on the System Board” provides instructions for locating, accessing, and working with options on the system board.
- Chapter 4, “Working with Adapters” provides instructions for installing and removing adapters.
- Chapter 5, “Working with Internal Drives” provides instructions for installing and removing drives.
- Chapter 6, “Working with Security Options” describes features such as the security U-bolt and erasing lost or forgotten passwords.
- Chapter 7, “Completing the Installation” provides instructions for reassembling your computer after you have finished installing options. Information about using the Configuration/Setup Utility program is also provided.
- Appendix A, “PC 300PL Asset Security Settings” provides important information for the PC 300PL. If you have a PC 300PL model, and have set an administrator password, read this section before removing the computer cover or internal components.
- Appendix B, “Changing the Battery” explains how to change your computer backup battery and the precautions to take when handling and disposing of the battery.
- Appendix C, “Interrupt and DMA Resources” contains the default interrupt and direct memory access (DMA) resources for your computer.
- Appendix D, “Notices” contains IBM notices and trademark information.

Related Publications

The following publications, together with this book, contain information about your computer.

- *Setting Up Your Personal Computer*
This publication contains instructions that help you set up your computer.
- *Using Your Personal Computer*
This publication contains the following:
 - Instructions for configuring, operating, and maintaining your computer
 - Information on diagnosing and solving computer problems and how to get help and service
 - Warranty information
- *Understanding Your Personal Computer*
This online publication includes general information about using personal computers and in-depth information about the specific features of your computer.
- *About Your Software*
This publication (provided only with computers that have IBM-preinstalled software) contains information about the preinstalled software package.
- *Your Ready-to-Configure Utility Program CD*
This publication contains information about the *Ready-to-Configure Utility Program* CD for your computer. The publication also contains instructions for starting the CD.

The following publications contain more information about your computer.

- *Hardware Maintenance Manual*
This publication contains information for trained service technicians. To obtain a copy, refer to the section on ordering publications in the "Getting Help, Service, and Information" chapter in *Using Your Personal Computer*. It is also available on the World Wide Web at:
<http://www.pc.ibm.com/us/cdt/hmm.html>

- *Technical Information Manual*

This publication contains more information about the technical aspects of your computer. It is available on the World Wide Web at:

<http://www.pc.ibm.com/us/cdt/treport.html>

Chapter 1. Overview

Adding hardware options to your computer is an easy way to increase its capabilities. Instructions for removing, installing, and replacing options are included in this book. When adding an option, use these instructions along with the instructions that come with the option. If you have installed options before, you might be able to perform some activities without detailed instructions.

This chapter provides a brief introduction to the options and features that are available for your computer. Also, important information about required tools, electrical safety, and static-sensitive devices is included.

Important

Before you install or remove any option, read the safety procedures and component-handling guidelines in this chapter. These precautions and guidelines will help you work safely.

Refer to *Using Your Personal Computer* for general information on the use, operation, and maintenance of your computer. *Using Your Personal Computer* also contains information for helping you solve problems and get repair service or other technical assistance.

Available Options and Features

The following are some of the available options and features that are discussed in this book:

- System board components
 - System memory, called dual in-line memory modules (DIMMs)
 - Video memory (some models only)
 - Microprocessor
 - Jumper for clearing CMOS and erasing lost or forgotten passwords
 - Battery
- Adapters
 - Industry standard architecture (ISA) adapters
 - Peripheral component interconnect (PCI) adapters
 - Accelerated Graphics Port (AGP) adapter (PC 300PL models only)
- Internal drives
 - CD-ROM
 - Hard disk
- Security U-bolt

The following are some other available options and features for your computer. For more information, refer to the documentation that comes with the optional hardware.

- If your computer does not have an Ethernet connector, you can add a *Wake on LAN* adapter.
- To help with power management, you can add a modem and have your computer start when a ring is detected by the modem. Using an internal modem, you can use the Configuration/Setup Utility program to enable *Modem Ring Detect*, or using an external modem, you can enable *Serial Port Ring Detect*. For more information on the Configuration/Setup Utility program, see *Using Your Personal Computer*.

IBM provides help in selecting drives, cables, and other options for your computer. For the latest information about available options:

- Within the United States, call 1-800-IBM-2YOU (1-800-426-2968), your IBM reseller, or IBM marketing representative.
- Within Canada, call 1-800-565-3344 or 1-800-465-7999.
- Outside the United States and Canada, contact IBM, your IBM reseller, or IBM marketing representative.

IBM maintains pages on the World Wide Web where you can get information about IBM products and services, find the latest technical information, and download device drivers and updates. Some of these pages are:

| | |
|---|--|
| http://www.ibm.com | Main IBM home page |
| http://www.pc.ibm.com | IBM Personal Computer home page |
| http://www.pc.ibm.com/us/cdt | IBM Commercial Desktop home page |
| http://www.pc.ibm.com/us/servers | IBM PC Server and Netfinity Server home page |
| http://www.pc.ibm.com/us/options | IBM Options home page |
| http://www.pc.ibm.com/us/intellistation | IBM IntelliStation home page |
| http://www.pc.ibm.com/us/thinkpad | IBM ThinkPad home page |

Tools Required

To install or remove options in your computer, you will need a flat-head screwdriver. Any additional tools needed depend on the specific option and are noted in the instructions that come with the option.

Electrical Safety

CAUTION:

Electrical current from power, telephone, and communication cables can be hazardous. To avoid any shock hazard, disconnect all power cords and cables as described in the following information.

Attention: The presence of 5 V standby power might result in damage to your hardware unless you disconnect the power cord from the electrical outlet before opening the computer.

For your safety, always do the following *before* removing the cover:

1. Shut down all programs as described in your operating-system documentation.
2. Turn off the computer and any attached devices, such as printers, monitors, and external drives.

Note: Personal computer users in the United Kingdom who have a modem or fax machine attached to their computer must disconnect the telephone line from the computer *before* unplugging any power cords (also known as power cables). When the computer is reassembled, users must reconnect the telephone line *after* plugging in the power cords.

3. Unplug all power cords from electrical outlets.
4. Disconnect all communication cables from external receptacles.
5. Disconnect all cables and power cords from the back of the computer.

Note: Do not reconnect any cables or power cords until you reassemble the computer and put the cover back on.

CAUTION:

Never remove the cover on the power supply. If you have a problem with the power supply, have your computer serviced.

Handling Static-Sensitive Devices

Have you ever walked across a carpeted floor, then touched an object and received a small electrical shock? That's static electricity, and although harmless to you, it can seriously damage computer components and options.

Important

When you add an option, do *not* open the static-protective package containing the option until you are instructed to do so.

When you handle options and other computer components, take these precautions to avoid static electricity damage:

- Limit your movement. Movement can cause static electricity to build up around you.
- Always handle components carefully. Handle adapters and memory-modules by the edges. Never touch any exposed circuitry.
- Prevent others from touching components.
- When you are installing a new option, touch the static-protective package containing the option to a metal expansion-slot cover or other unpainted metal surface on the computer for at least two seconds. This reduces static electricity in the package and your body.
- When possible, remove the option and install it directly in the computer without setting the option down. When this is not possible, place the static-protective package that the option came in on a smooth, level surface and place the option on it.
- Do not place the option on the computer cover or other metal surface.

Chapter 2. Preparing to Install or Remove Options

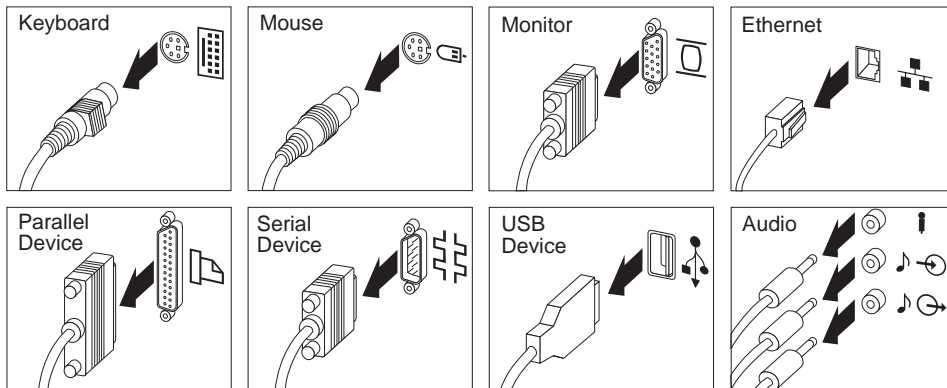
This chapter provides instructions for accessing and locating the options you want to install or remove.

Disconnecting Cables and Removing the Cover

Before you begin

- Read “Electrical Safety” on page 4 and “Handling Static-Sensitive Devices” on page 5.
- Remove any media (diskettes, compact discs, or tapes) from the drives, and then turn off all attached devices and the computer.
- If you plan to work with the computer in an upright position, ensure that the stabilizer feet on the bottom of the cover are hanging over the edge of the table so that they don't break.

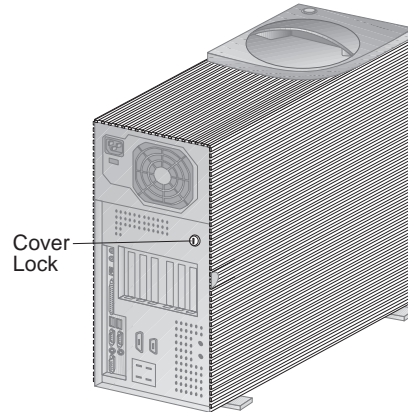
- 1** Unplug all power cords from electrical outlets. If you have a modem or fax machine attached to your computer, disconnect the telephone line from the wall outlet and the computer.
- 2** Disconnect all cables attached to the computer; this includes power cords, input/output (I/O) cables, and any other cables connected to the computer.



Note: Your computer might not have all the connectors shown. Also, for more information on I/O ports, see *Understanding Your Personal Computer*.

Attention: The presence of 5 V standby power might result in damage to your hardware unless you disconnect the power cord from the electrical outlet before opening the computer.

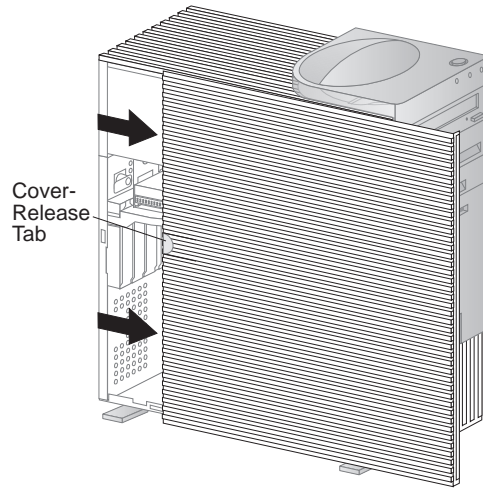
- 3** If a cover lock is present, unlock the computer cover. (The cover lock is located at the rear of the computer on some models.)



Attention

If your computer is a PC 300PL model and you have set an administrator password, read the important information in Appendix A, “PC 300PL Asset Security Settings” on page 86 about the chassis-intrusion feature of the computer before removing the computer cover in steps 4 and 5 on page 8.

- 4 Locate the cover-release tab.
- 5 Pull out on the cover-release tab at the rear of the side cover and slide the cover toward the front of the computer. Lift the cover off.



Important

When you need to access the inside of the computer, you should allow the feet to hang off the edge of the table so that they don't break.

Locating Components

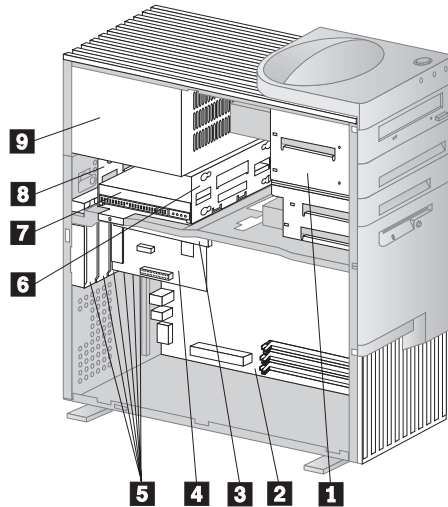
The following information helps you locate components. Use it as a reference when you need to install options or connect input/output devices.

Internal View

The following illustration shows the internal view of your computer as seen from the front. For information on removing the cover, see “Disconnecting Cables and Removing the Cover” on page 6.

Note: The following illustration is for reference only. Your computer might differ from the one shown.

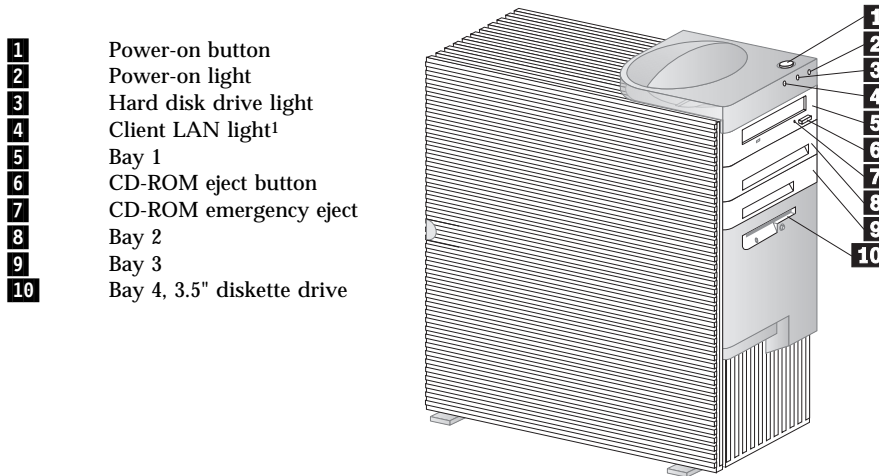
- 1** Drive cage for bays 1 through 4
- 2** System board
- 3** Riser card
- 4** Adapter card
- 5** Expansion slots
- 6** Drive Cage for Bays 5 and 6
- 7** Bay 6, hard disk drive
- 8** Bay 5
- 9** Power supply



External View

The following illustration shows the external view of your computer as seen from the front.

Note: The following illustration is for reference only.



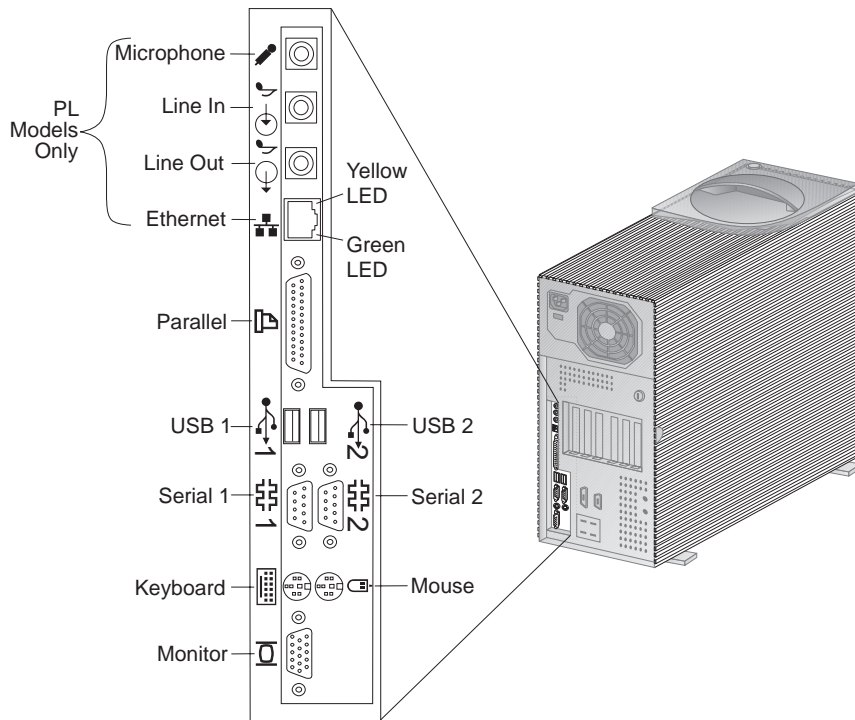
Your computer comes with a diskette drive installed in bay 4 and a hard disk drive installed in bay 6. If your computer comes with a CD-ROM drive, it is installed in bay 1.

¹ The client LAN light is used with integrated Ethernet systems only.

Input/Output Connectors

Input/output (I/O) connectors provide ports for transferring information into and out of your computer. You can connect a variety of I/O devices to your computer, including a monitor, keyboard, mouse, and printer. For more information on the ports and their specific technologies, see *Understanding Your Personal Computer*.

At the rear of your computer is a panel that provides access to the I/O connectors. Adapters installed in expansion slots might also provide I/O connectors.



Note: Your computer might not have all the connectors shown. If your computer has an integrated ethernet, you will notice two LED lights, one yellow and one green, at the socket. See *Using Your Personal Computer* for more information on ports.

Chapter 3. Working with Options on the System Board

This chapter provides information about system board options discussed in this book.

This chapter also provides instructions for installing, removing, and replacing system board components, specifically system memory, video memory, and the microprocessor. For information on other system board components, see the appropriate section.

Important

- Run ConfigSafe (or a similar application) to take a *snapshot* of your computer configuration before installing an optional device. This allows you to view and compare the changes in the computer configuration after you install an option. Also, if you have problems configuring the option after it is installed, ConfigSafe allows you to restore the configuration to the previous settings.

ConfigSafe is a part of the preinstalled software in your computer. For more information, see *About Your Software* that comes with your computer.

- Be careful when working near the microprocessor. Under normal use, the microprocessor can become very hot.

Accessing the System Board

To access the system board, you must remove the computer cover. For information on removing the computer cover, see “Disconnecting Cables and Removing the Cover” on page 6.

When working with options on the system board, it helps to place the computer on its side on a table. Most of the illustrations in this section show the computer on its side.

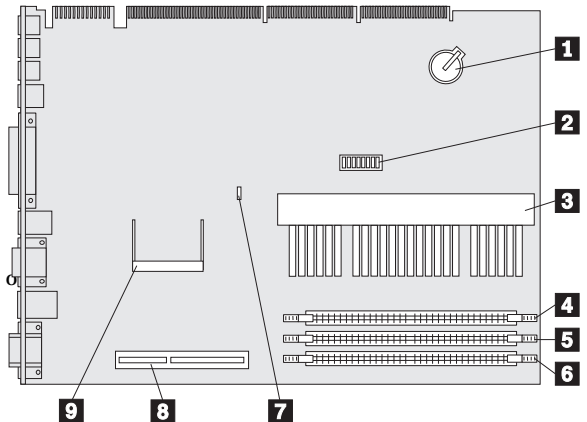
Also, you might need to remove adapters to access some components of the system board. For more information, see Chapter 4, “Working with Adapters” on page 26.

Identifying Parts on the System Board

The system board, also called the *planar* or *motherboard*, is the main circuit board in your computer. It provides basic computer functions and supports a variety of devices that are IBM-installed or that you can install later.

If you plan to install, remove, or replace hardware in your computer, you will need to know the layout of the system board. The following illustration shows the layout of the system board in your computer. The numbered pointers show the components that are discussed in this book.

- 1** Battery
- 2** Microprocessor-speed switches
- 3** Microprocessor
- 4** DIMM 0
- 5** DIMM 1
- 6** DIMM 2
- 7** Clear CMOS Request jumper
- 8** AGP connector (PC 300PL models only)
- 9** Video memory connector (PC 300GL models only)



Note: An illustration of the system board and additional information are provided on a label found inside the computer.

Working with System Memory

You can add memory to your computer to increase system performance. Your computer has three connectors (DIMM 0, DIMM 1, and DIMM 2) for installing system-memory modules. The maximum amount of system memory your computer supports is 384 MB.

Note: To locate the memory connectors inside your computer, see “Identifying Parts on the System Board” on page 13.



The memory modules your computer uses are *dual inline memory modules (DIMMs)*. The IBM-installed DIMMs that come with your computer are non-parity or ECC (error checking and correction) 100 MHz SDRAM (synchronous dynamic random access memory) modules.

When installing or replacing DIMMs, follow these guidelines:

- Use only 3.3 V dc, unbuffered, 100 MHz DIMMs.
- Each memory connector supports a maximum of 128 MB of memory.
- Install only ECC DIMMS to enable ECC. Do not mix non-parity DIMMS and ECC DIMMS.

Memory Configuration

When you are adding or removing memory, you can use any combination of DIMM sizes 16, 32, 64, or 128 MB. Be sure to fill each system-memory connector sequentially, starting at *DIMM 0*. For the location of DIMM 0, see “Identifying Parts on the System Board” on page 13.

The following table shows possible memory configurations for your computer; this table and additional information are also found on a label inside the computer.

Note: Values in the following table are represented in megabytes (MB).

| Total Memory (MB) | DIMM 0 | DIMM 1 | DIMM 2 |
|-------------------|--------|--------|--------|
| 16 | 16 | 0 | 0 |
| 32 | 16 | 16 | 0 |
| 32 | 32 | 0 | 0 |
| 48 | 16 | 16 | 16 |
| 48 | 32 | 16 | 0 |
| 64 | 32 | 16 | 16 |
| 64 | 32 | 32 | 0 |
| 64 | 64 | 0 | 0 |
| 96 | 32 | 32 | 32 |
| 96 | 64 | 32 | 0 |
| 128 | 64 | 32 | 32 |
| 128 | 64 | 64 | 0 |
| 128 | 128 | 0 | 0 |
| 160 | 32 | 64 | 64 |
| 192 | 64 | 64 | 64 |
| 224 | 32 | 64 | 128 |
| 256 | 128 | 64 | 64 |
| 256 | 128 | 128 | 0 |
| 288 | 32 | 128 | 128 |
| 384 | 128 | 128 | 128 |

Installing a Memory Module

Before you begin

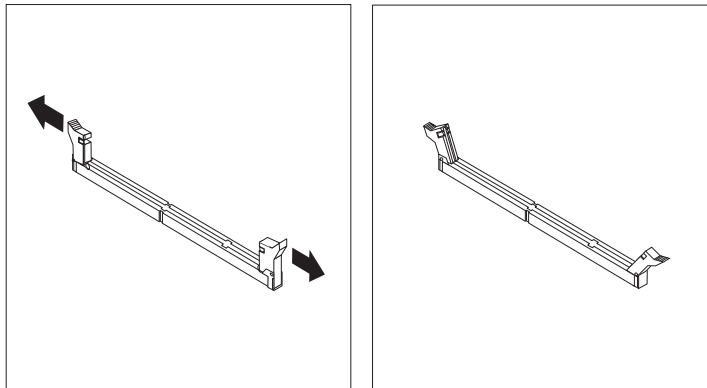
- Read “Electrical Safety” on page 4 and “Handling Static-Sensitive Devices” on page 5.
- Read the instructions that come with the optional device.
- Turn off the computer and all other connected devices.
- Disconnect all cables attached to the computer.

Attention: The presence of 5 V standby power might result in damage to your hardware unless you disconnect the power cord from the wall before opening the computer cover.

- Remove the computer cover (see “Disconnecting Cables and Removing the Cover” on page 6), and lay the computer on its side.

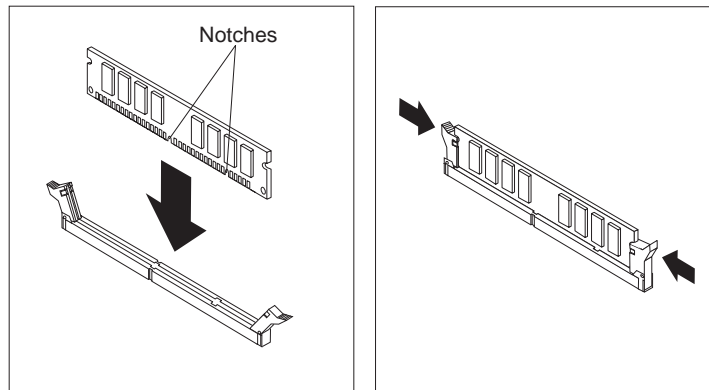
Note: For information on memory configuration, see the table on page 15.

- 1** To locate the memory connectors inside your computer, see “Identifying Parts on the System Board” on page 13.
- 2** Be sure the retaining clips are in the open position, as shown in the second illustration below. If the retaining clips are perpendicular with the connector, push outward on them until they click open.



- 3** Touch the static-protective package containing the memory module to any *unpainted* metal surface in the computer, and then remove the module.

- 4 Position the module above the connector so that the two notches on the bottom edge of the module align properly with the connector.



- 5 Firmly push the module straight down into the connector until the retaining clips pop up and snugly fit around both ends of the module.
- 6 To install another memory module, repeat steps 1–5.
- 7 Go to the device-record form in *Using Your Personal Computer* and record this installation.

What to do next

- To work with another option, go to the appropriate section.
- To complete the installation, go to Chapter 7, “Completing the Installation” on page 76.

Removing a Memory Module

Before you begin

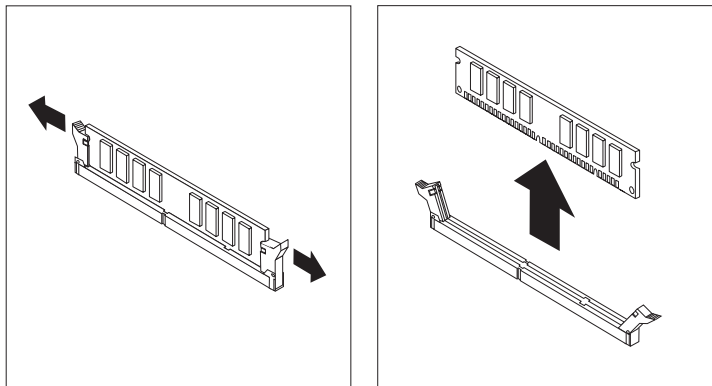
- Read “Electrical Safety” on page 4 and “Handling Static-Sensitive Devices” on page 5.
- Read the instructions that come with the optional device.
- Turn off the computer and all other connected devices.
- Disconnect all cables attached to the computer.

Attention: The presence of 5 V standby power might result in damage to your hardware unless you disconnect the power cord from the wall before opening the computer cover.

- Remove the computer cover (see “Disconnecting Cables and Removing the Cover” on page 6), and lay the computer on its side.

- 1** To locate the memory connectors inside your computer, see “Identifying Parts on the System Board” on page 13.
- 2** At both ends of the memory module connector, push outward on the retaining clips until the module is loosened. Lift the memory module out of the connector.

Note: Be careful not to push too hard on the retaining clips because the module may abruptly eject from the connector.



3 Store the module in a static-protective package.

What to do next

- To work with another option, go to the appropriate section.
- To complete the installation, go to Chapter 7, “Completing the Installation” on page 76.

Installing a Video-Memory Module

Because PC 300PL models do not have a connector for installing a video-memory module upgrade, the following instructions are for PC 300GL computer only.

If your computer comes with 4 MB of video memory, installing a video-memory module on the system board is not an option. To view the amount of video memory of your computer, see the "System Summary" menu in the Configuration/Setup Utility program (see *Using Your Personal Computer*).

The video-memory module is a small, outline DIMM (SODIMM).

Before you begin

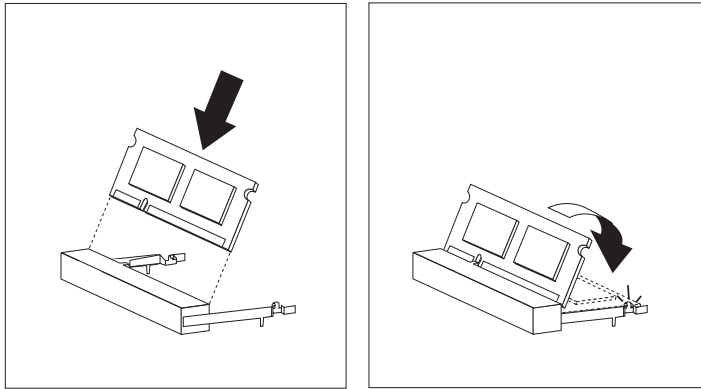
- Read "Electrical Safety" on page 4 and "Handling Static-Sensitive Devices" on page 5.
- Read the instructions that come with the optional device.
- Turn off the computer and all other connected devices.
- Disconnect all cables attached to the computer.

Attention: The presence of 5 V standby power might result in damage to your hardware unless you disconnect the power cord from the wall before opening the computer cover.

- Remove the computer cover (see "Disconnecting Cables and Removing the Cover" on page 6), and lay the computer on its side.
- To locate the video memory connector inside your computer, see "Identifying Parts on the System Board" on page 13.

- 1** Touch the static-protective package containing the video-memory module to any *unpainted* metal surface in the computer, and then remove the module.
- 2** Seat the video-memory module at an angle in the connector.

- 3** Move the video-memory module toward the system board until it is secured by the two clips.



What to do next

- To work with another option, go to the appropriate section.
- To complete the installation, go to Chapter 7, “Completing the Installation” on page 76.

Replacing a Microprocessor

Your computer comes with an Intel® Pentium®II microprocessor installed on the system board.

For the latest information on microprocessor upgrades available for your computer, contact your IBM reseller or IBM marketing representative. If you do upgrade the microprocessor, use the instructions that come with the upgrade along with the instructions in this publication.

Note: Upgrading a microprocessor may require a BIOS update. After replacing or upgrading your processor, you may get a '167' POST error code. If you get this error, you must run the flash utility again. Refer to the BIOS update procedure.

CAUTION:

The microprocessor and heat sink will be hot if the computer has been running. To avoid the possibility of a burn, if the computer has been on, let the microprocessor and heat sink cool for 10 minutes before continuing with the procedure.

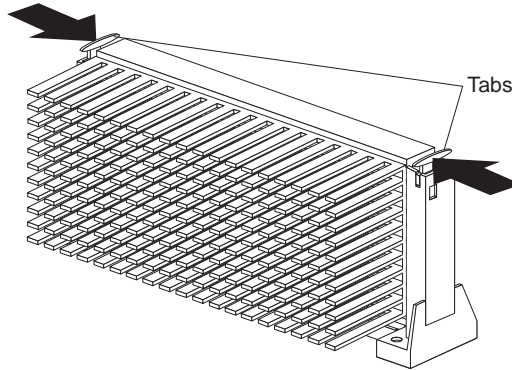
Before you begin

- Read “Electrical Safety” on page 4 and “Handling Static-Sensitive Devices” on page 5.
- Read the instructions that come with the optional device.
- Turn off the computer and all other connected devices.
- Disconnect all cables attached to the computer.
- Obtain a copy of the flash utility on diskette.

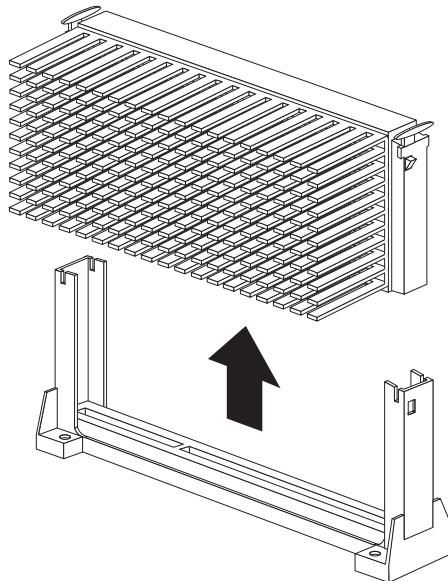
Attention: The presence of 5 V standby power might result in damage to your hardware unless you disconnect the power cord from the wall before opening the computer cover.

- Remove the computer cover (see “Disconnecting Cables and Removing the Cover” on page 6), and lay the computer on its side.

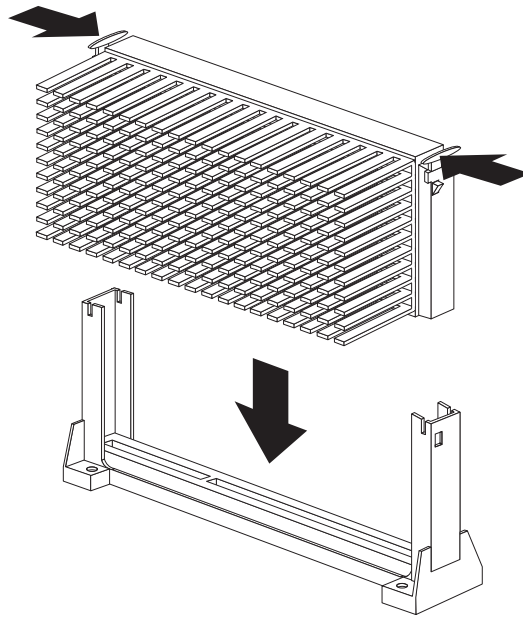
- 1** See “Identifying Parts on the System Board” on page 13 to locate the microprocessor socket.
- 2** Place your index fingers on the small tabs on the top of the microprocessor. Push in toward the microprocessor until the tabs release.



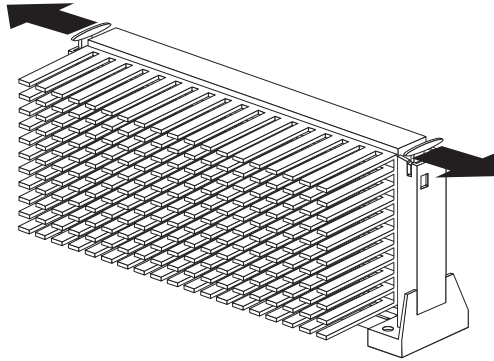
- 3** Carefully place one hand on the computer frame and with the other hand pull the microprocessor up and out of the connector.



- 4** Store the old microprocessor in a static-protective package.
- 5** Touch the static-protective package containing the new microprocessor to any *unpainted* metal surface in the computer, and then remove the new microprocessor.
- 6** Press in on the retainer tabs until they click into place.
- 7** Align the new microprocessor with the connector on the system board and slide it into the guides. Press the microprocessor down until it seats in the connector.



8 Pull outward on the retainer tabs.



Note: If you replaced the microprocessor with one that has a different speed, you must update the microprocessor speed. To do this, you must access the switches on the system board and set them accordingly. For information on locating the switches, see “Identifying Parts on the System Board” on page 13. For information on the appropriate switch settings, see the label on the underside of the computer cover, or contact your place of purchase or IBM reseller.

What to do next

- To work with another option, go to the appropriate section.
- To complete the installation, go to Chapter 7, “Completing the Installation” on page 76.

Chapter 4. Working with Adapters

This chapter provides information and instructions for installing and removing adapters. Instructions for working with adapters for the riser card and for installing an Accelerated Graphics Port (AGP) adapter are discussed.

When you are installing or removing adapters, it is important to resolve any resource conflicts that might arise. For example, if you install an ISA legacy adapter, you might need to manually configure the adapter by setting a variety of switches on the adapter and by using the Configuration/Setup Utility program.

Many adapters now use *Plug and Play* technology, which enables the computer to automatically configure the adapter, provided that the required resources are available. Refer to the instructions that come with your adapter to determine if it is Plug and Play. For more information, see “Adapter Configuration” on page 29.

Important

- Run ConfigSafe (or a similar application) to take a *snapshot* of your computer configuration before installing an optional device. This allows you to view and compare the changes in the computer configuration after you install an adapter. Also, if you have problems configuring the adapter after it is installed, ConfigSafe allows you to restore the configuration to the previous settings.

ConfigSafe is a part of the preinstalled software in your computer. For more information, see *About Your Software* that comes with your computer.

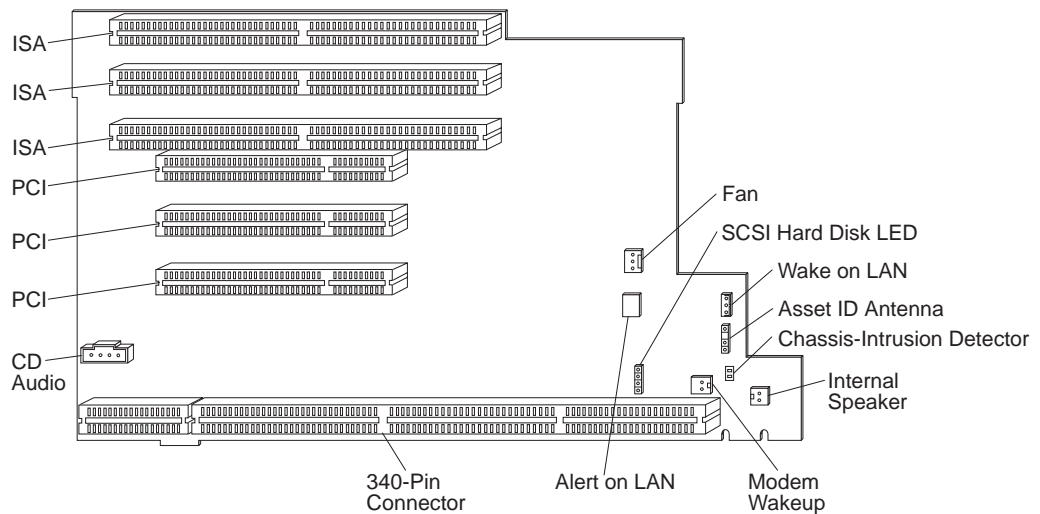
- Be careful when working near the microprocessor. Under normal use, the microprocessor can become very hot.

Riser Card

Your computer uses a riser card for expansion. The riser card contains expansion slots that connect adapters to the industry standard architecture (ISA) and peripheral component interconnect (PCI) buses.

You can install a variety of adapters in the expansion slots on the riser card. For information on locating the riser card, see “Locating Components” on page 9.

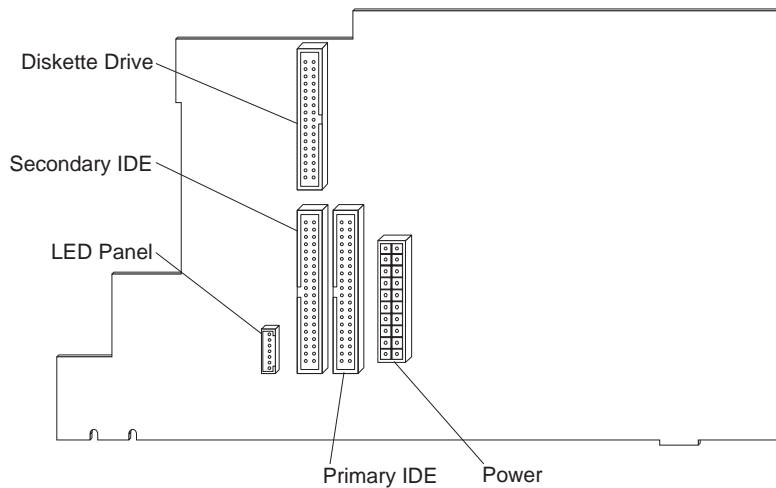
The riser card in your computer has three dedicated ISA slots and three dedicated PCI slots. The following illustration shows the expansion slots and connectors on the riser card.



Notes:

1. Chassis-intrusion, Alert on LAN, and Asset ID are available on some models only.
2. If you attach a 4-position cable connector to the 2-pin Modem Wakeup connector, ensure that the unused positions are *next to the bottom of the riser card*. If this cable is incorrectly attached, the computer might automatically restart each time you turn power off.
3. The front fan is controlled by the system management controller, and if the temperature of the box is at a low state, then the system management controller will turn the fan off. This is also true for Disk Fan A, if attached.

The diskette and IDE drive connectors are on the backside of the riser card. When installing optional drives, refer to the following illustration for the location of the appropriate connectors.



Adapter Configuration

Along with the documentation that comes with your adapter, use the following information to help with adapter configuration.

Plug and Play Adapters

Your computer uses the *Plug and Play* method to configure adapters. Support for Plug and Play is built into the system board of your computer.

If an adapter is Plug and Play, there are no switches or jumpers that must be set on the adapter. A Plug and Play adapter comes with configuration specifications set in memory to provide installation information to the computer during startup. When you install or remove Plug and Play adapters, this information is interpreted by the *basic input/output system (BIOS)*, which supports Plug and Play technology. If the required resources are available, the BIOS software automatically configures the adapter around the resources already in use by other devices.

Notes:

1. If a resource conflict arises after installing a Plug and Play adapter, you might need to change the default resource settings on the adapter. For more information, refer to the documentation that comes with the adapter.
2. For information on error messages from resource conflicts, see *Using Your Personal Computer*.

Legacy Adapters

Adapters that are not Plug and Play-compatible are known as *legacy* devices. If you install a legacy adapter, you must manually configure it by setting switches on the adapter and by allocating system resources using the Configuration/Setup Utility program.

In the Configuration/Setup Utility program, the ISA Legacy Resources screen shows the computer resources that are typically required by adapters:

- Memory resources
- I/O port resources
- DMA resources
- Interrupt resources

From the appropriate screens, you can select available resources for the adapter you are installing. Resources not being used by ISA legacy adapters are listed as **[Available]**. You must set the resources used by the newly installed ISA legacy adapter to **[ISA Resource]**; this reserves the resources for the legacy adapter and prevents the BIOS from using these resources for the system or other Plug and Play adapters.

Just as you change system resources when you install an ISA legacy adapter, you must also change resources when you remove an ISA legacy adapter. If you remove a legacy adapter, change the resources that were being used to **[Available]**. This allows the Plug and Play software to automatically use these resources for future configurations, or they can be used later when other legacy adapters are installed.

Note: Refer to the documentation that comes with the adapter for information on required system resources.

For information on configuring ISA legacy adapters, see “Configuring an ISA Legacy Adapter” on page 83 or refer to *Using Your Personal Computer*. For information on error messages from resource conflicts, see *Using Your Personal Computer*.

Installing Adapters in the Riser Card

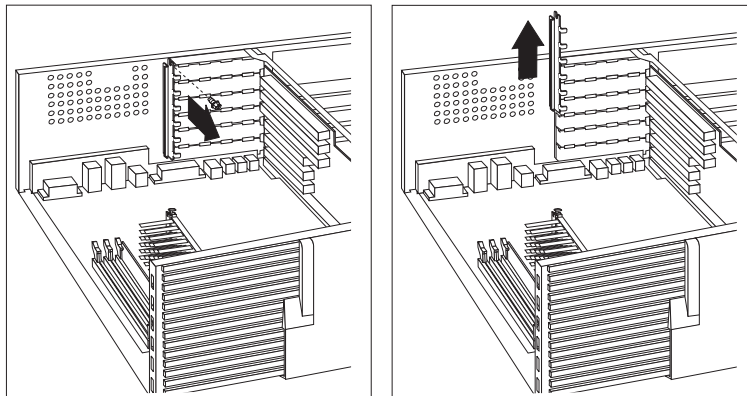
Before you begin

- Read “Electrical Safety” on page 4 and “Handling Static-Sensitive Devices” on page 5.
- Read the instructions that come with the new adapter. Determine if the adapter must be installed in an ISA or PCI slot.
- Turn off the computer and all other connected devices.
- Disconnect all cables attached to the computer (see “Disconnecting Cables and Removing the Cover” on page 6).

Attention: The presence of 5 V standby power might result in damage to your hardware unless you disconnect the power cord from the wall before opening the computer.

- Remove the computer cover, and lay the computer on its side (see “Disconnecting Cables and Removing the Cover” on page 6).
- To install some adapters, you might need to remove the bottom cover, the system board, and the fan. For more information, see “Opening the Bottom Cover” on page 39, “Moving the System Board” on page 41, and “Moving the Front Fan” on page 44.

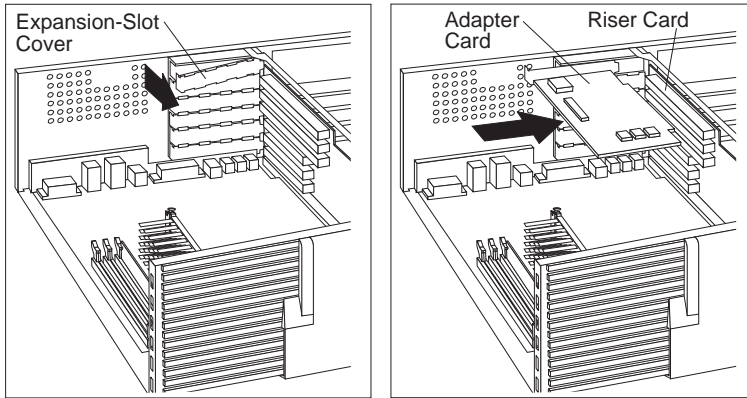
1 Remove the screw and bracket.



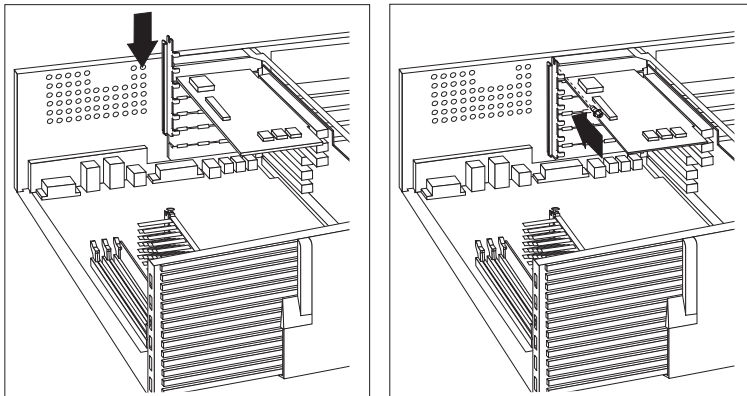
2 Remove the appropriate expansion-slot cover.

Next, touch the static-protective package containing the adapter to any *unpainted* metal surface in the computer; then, remove the adapter from the package. Install the adapter.

Note: The components of a PCI adapter face down toward the system board, and the components of an ISA adapter face up.



3 Install the bracket and the screw.



4 If you installed a network adapter that uses Wake on LAN or Alert on LAN, attach the cable from the riser card to the adapter. See page 27 to locate the Wake on LAN or Alert on LAN connectors. If you installed a modem and want to use Modem Wakeup, see page 27 to locate the Modem Wakeup connector on the riser card.

What to do next

- Go to the device-record form in *Using Your Personal Computer*, and write the adapter name next to the slot into which you installed it.
- If you removed the bottom cover, the fan, or the system board, replace them. See “Moving the Front Fan” on page 44, “Moving the System Board” on page 41, and “Opening the Bottom Cover” on page 39.
- To work with another option, go to the appropriate section.
- To complete the installation, go to Chapter 7, “Completing the Installation” on page 76.

Removing Adapters from the Riser Card

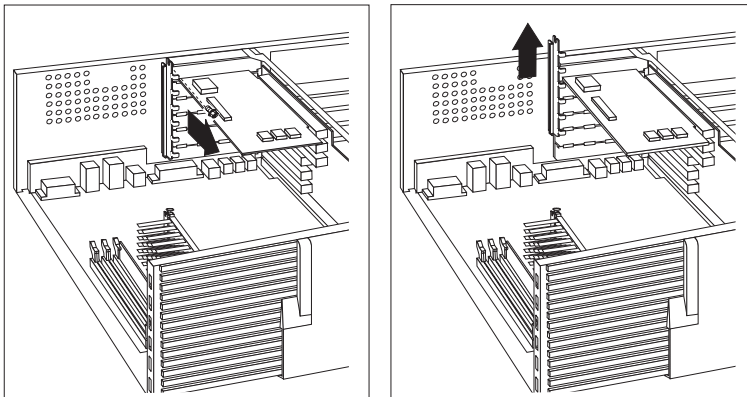
Before you begin

- Read “Electrical Safety” on page 4 and “Handling Static-Sensitive Devices” on page 5.
- Turn off the computer and all other connected devices.
- Disconnect all cables attached to the computer (see “Disconnecting Cables and Removing the Cover” on page 6).

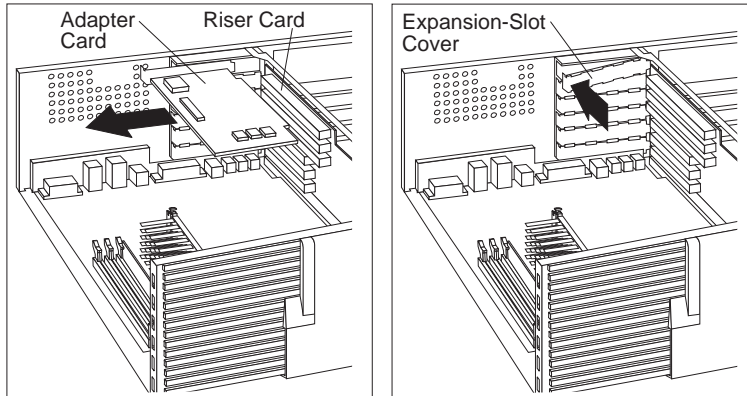
Attention: The presence of 5 V standby power might result in damage to your hardware unless you disconnect the power cord from the wall before opening the computer.

- Remove the computer cover, and lay the computer on its side (see “Disconnecting Cables and Removing the Cover” on page 6).
- To remove some adapters, you might need to remove the bottom cover, the system board, and the fan. For more information, see “Opening the Bottom Cover” on page 39, “Moving the System Board” on page 41, and “Moving the Front Fan” on page 44.

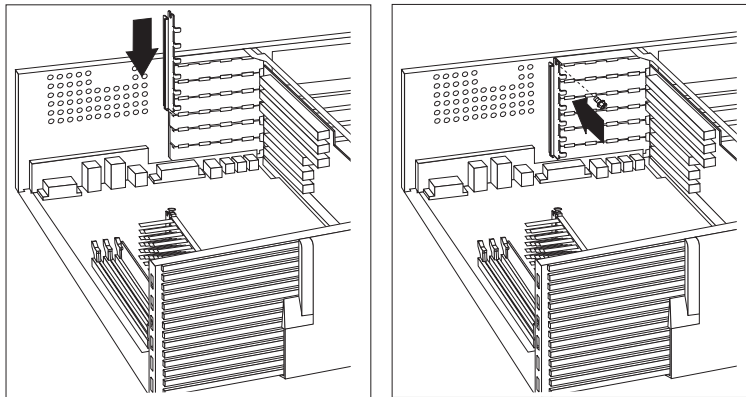
1 Remove the screw and the bracket.



- 2** Disconnect any cables attached to the adapter, remove it, and insert it into a static-protective package. If you are not installing another adapter in this slot, install an expansion-slot cover.



- 3** Install the bracket and the screw.



Note: Removing an adapter frees up system resources. If you remove an ISA legacy adapter, you must use the Configuration/Setup Utility program to set the previously used resources to **[Available]**. For more information, see Chapter 7, “Completing the Installation” on page 76.

What to do next

- Go to the device-record form in *Using Your Personal Computer*, and delete the name of the adapter you removed.
- If you removed the bottom cover, the fan, or the system board, replace them. See “Moving the Front Fan” on page 44, “Moving the System Board” on page 41, and “Opening the Bottom Cover” on page 39.
- To work with another option, go to the appropriate section.
- To complete the installation, go to Chapter 7, “Completing the Installation” on page 76.

Installing an AGP Adapter

Note: While all PC 300PL models have an AGP connector on the system board, all PC 300GL models do not; therefore, the following instructions are for PC 300PL computers only.

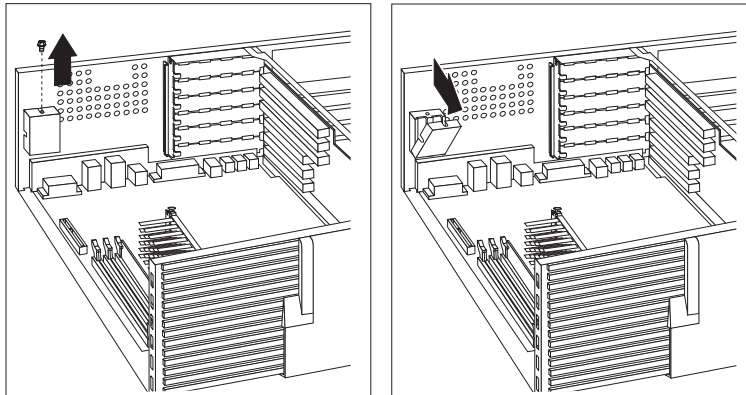
Before you begin

- Read “Electrical Safety” on page 4 and “Handling Static-Sensitive Devices” on page 5.
- Read the instructions that come with the optional device.
- Turn off the computer and all other connected devices.
- Disconnect all cables attached to the computer.

Attention: The presence of 5 V standby power might result in damage to your hardware unless you disconnect the power cord from the wall before opening the computer cover.

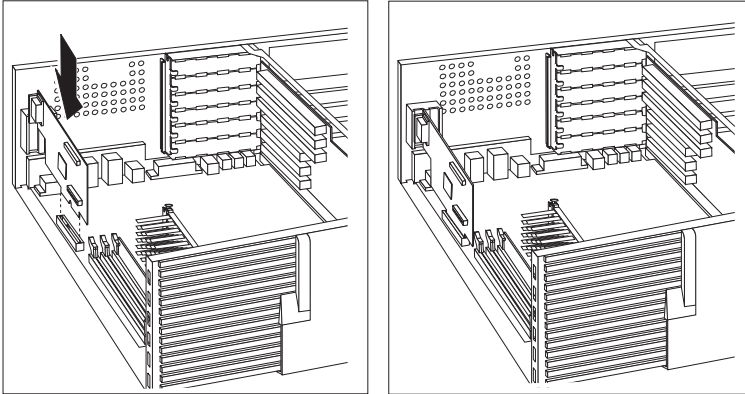
- Remove the computer cover (see “Disconnecting Cables and Removing the Cover” on page 6), and lay the computer on its side.

- 1** Remove the screw and then remove the cover to access the two slots on the computer wall.



The slots on the computer wall provide access to the connector(s) on the AGP adapter for attaching external devices.

- 2** Install the AGP adapter. The following illustration shows the installation of an AGP adapter. Note that the connector for external devices on the AGP adapter is accessible through the slot on the computer wall.



Note: Some adapters support the attachment of *daughter cards*. Because a daughter card might provide another connector for external devices, a second slot is provided on the computer wall for access.

What to do next

- Go to the device-record form in *Using Your Personal Computer*, and add the name of the AGP adapter you installed.
- To work with another option, go to the appropriate section.
- To complete the installation, go to Chapter 7, “Completing the Installation” on page 76.

Opening the Bottom Cover

The following instructions are for removing and replacing the bottom cover.

Before you begin

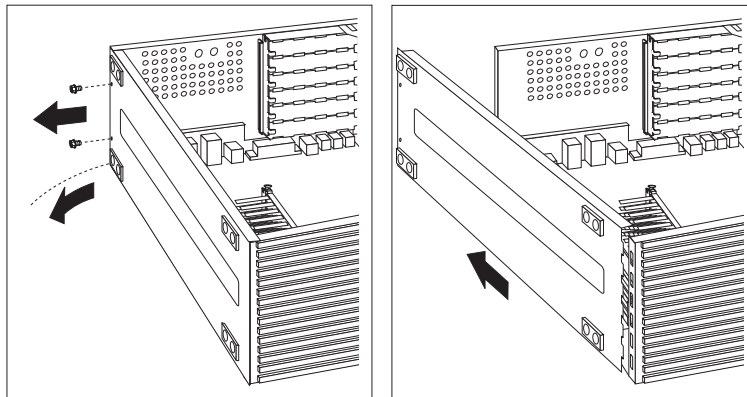
- Read “Electrical Safety” on page 4 and “Handling Static-Sensitive Devices” on page 5.
- Read the instructions that come with the optional device.
- Turn off the computer and all other connected devices.
- Disconnect all cables attached to the computer.

Attention: The presence of 5 V standby power might result in damage to your hardware unless you disconnect the power cord from the wall before opening the computer cover.

- Remove the computer cover (see “Disconnecting Cables and Removing the Cover” on page 6), and lay the computer on its side.

To remove the bottom cover:

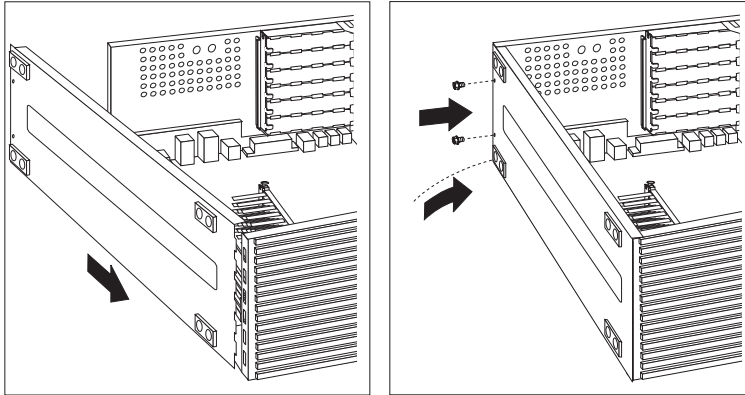
- 1** Remove the screws from the bottom cover, and pivot the end of the bottom cover away from the computer frame.



- 2** Slide the tabs on the end of the cover out of their openings and remove the cover.

To replace the bottom cover:

- 1** Hold the bottom cover at an angle and align the tabs on the end with the openings in the frame.
- 2** Fit the tabs into the openings and pivot the bottom cover until it is closed.



- 3** Align the holes and insert the two screws.

Moving the System Board

The following instructions are for removing and reinstalling the system board that comes with your computer.

Before you begin

- Read “Electrical Safety” on page 4 and “Handling Static-Sensitive Devices” on page 5.
- Read the instructions that come with the optional device.
- Turn off the computer and all other connected devices.
- Disconnect all cables attached to the computer.

Attention: The presence of 5 V standby power might result in damage to your hardware unless you disconnect the power cord from the wall before opening the computer cover.

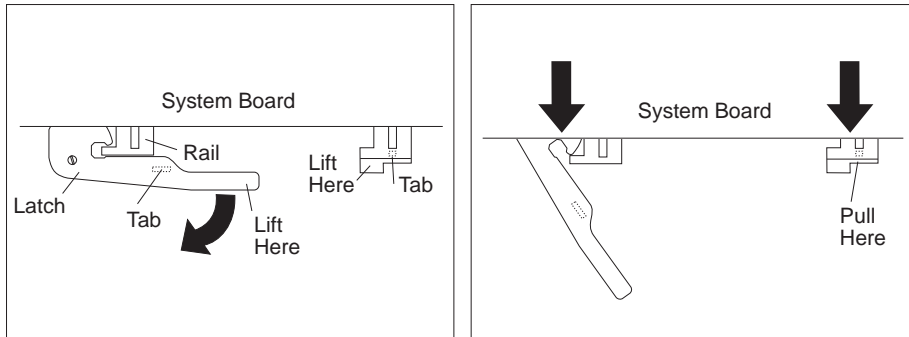
- Remove the computer cover (see “Disconnecting Cables and Removing the Cover” on page 6), and lay the computer on its side.
- Remove the bottom cover (see “Opening the Bottom Cover” on page 39).

To remove the system board:

- 1** On the left-hand rail, lift the system-board latch handle upward to disengage the plastic tab on the bottom of the handle from the chassis.
- 2** Lift the end of the right-hand rail to disengage the plastic tab from the bottom of the chassis.
- 3** Grasp and turn the latch clockwise to the extended position. This releases the system board from the riser card.
- 4** Grasp the rails supporting the system board and carefully slide the system board out and set it aside.

CAUTION:

Do not pull on the microprocessor, memory modules, memory sockets, or other system-board components to remove the system board.



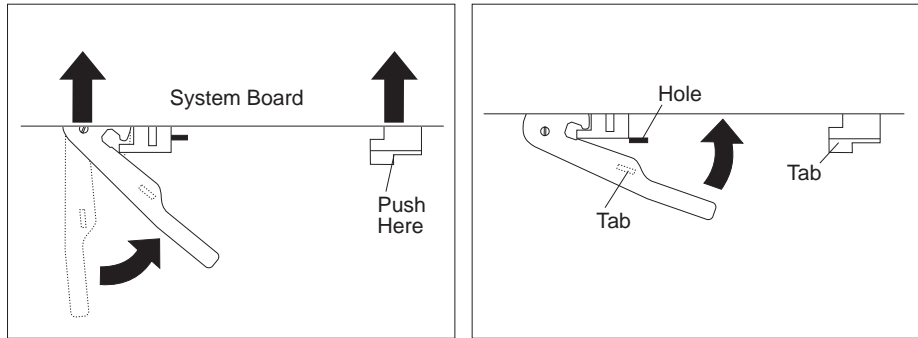
To reinstall the system board:

- 1** Make sure the system-board latch handle is in the extended position.
- 2** Align the system-board rails with the tracks on the chassis. Grasp the rails and slide the board in until it is approximately 6 mm. (0.25 in.) from the riser card edge connector.
- 3** Rotate the latch handle counter-clockwise until the system board is properly aligned with the riser card edge connector. Continue rotating the latch handle counter clockwise while firmly pushing on the end of the right-hand rail. When the system board is fully seated the tab on the right-hand rail is engaged in an opening in the chassis.

CAUTION:

Do not push on the microprocessor, memory modules, memory sockets, or other system-board components to install the system board.

- 4** Push down on the latch handle to engage the tab on the under side into the opening in the chassis. This holds the latch in the latched position.



Note: You cannot see the connection with a full-sized adapter in place. To make sure the system board is fully seated, it is important that the tab on the right-hand rail is engaged in the opening in the chassis.

Moving the Front Fan

Before you begin

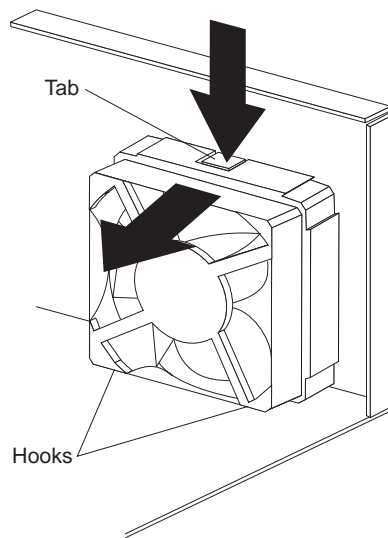
- Read “Electrical Safety” on page 4 and “Handling Static-Sensitive Devices” on page 5.
- Read the instructions that come with the optional device.
- Turn off the computer and all other connected devices.
- Disconnect all cables attached to the computer.

Attention: The presence of 5 V standby power might result in damage to your hardware unless you disconnect the power cord from the wall before opening the computer cover.

- Remove the computer cover (see “Disconnecting Cables and Removing the Cover” on page 6), and lay the computer on its side.

Note: You might have to remove the bottom cover in order to move the fan. For instructions, see “Opening the Bottom Cover” on page 39.

- 1** Disconnect the fan cable from the riser card. See the label inside the computer for the location of the front fan connector.
- 2** Press the tab and pull the front fan forward until it clears the computer wall.



- 3** Replace the fan by aligning the two hooks on the bottom of the fan assembly with the slots on the computer wall. Next, insert the tab on the fan assembly into the slot on the computer wall.
- 4** Connect the fan cable to the connector on the riser card.

Chapter 5. Working with Internal Drives

This chapter provides information and instructions for installing and removing internal drives.

When you are installing an internal drive, it is important to note which drive types and sizes you can install in each bay. Also, it is important to correctly connect the internal drive cables to the installed drive. For more information, see “Internal Drives” on page 47.

Important

- Run ConfigSafe (or a similar application) to take a *snapshot* of your computer configuration before installing an optional device. This allows you to view and compare the changes in the computer configuration after you install an option. Also, if you have problems configuring the option after it is installed, ConfigSafe allows you to restore the configuration to the previous settings.

ConfigSafe is a part of the preinstalled software in your computer. For more information, see *About Your Software* that comes with your computer.

- Be careful when working near the microprocessor. Under normal use, the microprocessor can become very hot.

Internal Drives

Internal drives are devices that your computer uses to read and store data. You can add drives to your computer to increase storage capacity and to enable your computer to read other types of media. Some types of drives available for your computer are:

- Hard disk drives
- CD-ROM drives

Internal drives are installed in *bays* at the front and rear of your computer. The bays are referred to as bay 1, bay 2, and so on.

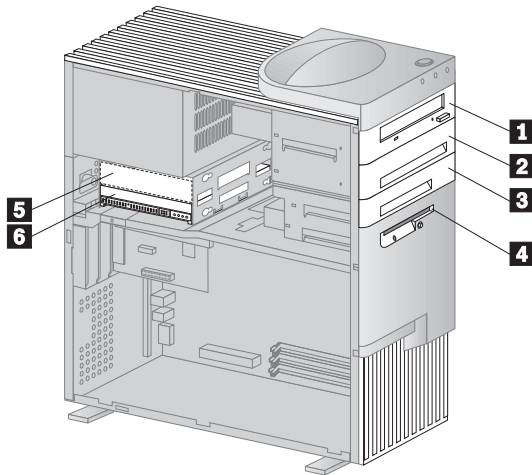
Drive bays 1 through 4, at the front of your computer, are contained in one drive cage, and drive bays 5 and 6, at the back of your computer, are contained in another.

Your computer comes with the following IBM-installed drives:

- A 3.5-inch diskette drive in bay 4
- A 3.5-inch hard disk drive in bay 6
- A CD-ROM drive in bay 1 (in some models)

The following illustration shows the location of the drive bays in your computer.

- 1** Bay 1
- 2** Bay 2
- 3** Bay 3
- 4** Bay 4
- 5** Bay 5
- 6** Bay 6



Drive Bay Specifications

The following table describes the drives you can install in each bay and their height requirements.

Table 1. Drive Bay Specifications

| Bay | Drives Supported | Max. Height mm (in.) | Min. Height mm (in.) |
|-----|--|-------------------------|-------------------------|
| 1 | 5.25-inch CD-ROM Tape backup drive 3.5-inch or 5.25-inch hard disk drive | 41.3 (1.6) | 25.4 (1.0) |
| 2 | 5.25-inch CD-ROM Tape backup drive 3.5-inch or 5.25-inch hard disk drive | 41.3 (1.6) | 25.4 (1.0) |
| 3 | Hard disk drive | 25.4 (1.0) | 25.4 (1.0) |
| 4 | 3.5-inch diskette drive | 25.4 (1.0) | — |
| 5 | Hard disk drive | 25.4 (1.0) | 25.4 (1.0) |
| 6 | Hard disk drive | 25.4 (1.0) | 25.4 (1.0) |

Notes:

- You cannot install drives that are greater than 41.3 mm (1.6 in.) high.
- You must install drives that require removable media (diskettes, tapes, or CDs) in the accessible bays: bay 1, 2, 3, or 4.
- You can install one diskette drive only.
- To properly mount a 3.5-inch drive into bay 1 or 2, you must use a 3.5-inch conversion kit for a 5.25-inch bay. For more information, contact your IBM reseller or IBM marketing representative.

Power and Signal Cables

Your computer uses cables to connect the power supply to the riser card and to integrated drive electronics (IDE) drives. The diskette drive is also powered through a cable attached to the riser card. The following cables are provided:

- Four-wire *power cables* connect most drives to the power supply. At the ends of these cables are plastic connectors that attach to different drives; these connectors vary in size. Also, some power cables attach to the riser card.
- Flat *signal cables*, sometimes called *ribbon cables*, connect IDE drives to the riser card. There are two sizes of signal cables that come with your computer:
 - The wider signal cable attaches to the installed hard disk drive and to the primary IDE connector on the back of the riser card.
Note: The IDE signal cable provided with the PC 300PL has a second connector for attaching drives.
 - The narrower signal cable attaches to the diskette drive and to the diskette drive connector on the back of the riser card.

Note: Each cable attaches to a connector on the riser card. To locate these connectors, see “Riser Card” on page 27.

The following are some important points to remember when connecting power and signal cables to internal drives:

- The diskette drive and hard disk drive that are preinstalled in your computer come with power and signal cables attached. If your computer comes with a CD-ROM drive, it is attached to the secondary IDE connector on the back of the riser card. If you replace any drives, it is important to remember which cables are attached to which drives.
- When you install a drive, ensure that the drive connector at the end of the signal cable is always connected to the drive; also, ensure that the drive connector at the other end is connected to the riser card. This reduces electronic noise from the computer.
- If more than one IDE device is used on a single cable, one must be designated as the primary or master device and all others as slave or subordinate devices; otherwise, some of the IDE devices might not be recognized by the system. The master or slave designation is determined by switch or jumper settings on each IDE device.
- To optimize performance when installing more than two hard disk drives, be sure to attach hard disk drives with faster data transfer speeds (Mode 1 or higher) to the primary hard disk drive signal cable (hard disk drives 0 and 1).

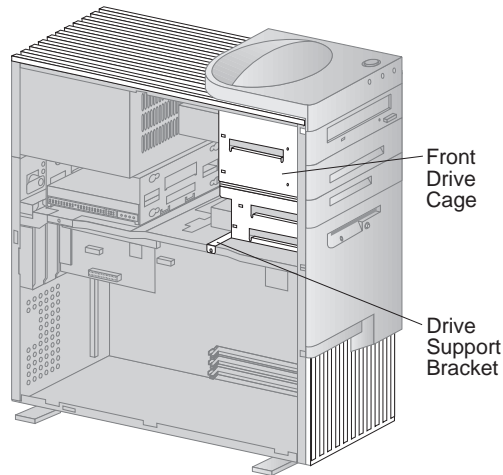
- On some models, to install more than one IDE hard disk drive, you must purchase an additional signal cable. The cable must meet the following specifications:
 - Maximum length: 0.46 meters (18 inches)
 - Wire size: 28 AWG
 - Cable capacitive loading: 200 pF maximum
- You can install one diskette drive only.

Working with Drives in Bays 1, 2, 3, or 4

This section provides instructions for two different mechanical designs drive cage that contains bays 1 through 4. One drive cage is removable and the other is not. Because the procedure for installing and removing drives is different for each design, both designs are explained below to help you identify which one you have.

- **Removable Drive Cage**

Computers with the removable drive cage have a support bracket and screw that secure the front drive cage. If the drive support bracket is present, you must remove the drive cage before installing or removing drives (see “Removable Drive Cage Instructions” on page 52). The following illustration shows a computer with a removable drive cage.



- **Non-Removable Drive Cage**

If your computer does not have the drive support bracket (as shown in the preceding illustration), your computer has a non-removable drive cage.

This drive cage is permanently fixed to the computer and drives are installed or removed through the front of the computer. See “Non-Removable Drive Cage Instructions” on page 60.

Removable Drive Cage Instructions

The following instructions are for computers that have a removable drive cage for bays 1 through 4. To determine if your computer has this type of drive cage, see “Working with Drives in Bays 1, 2, 3, or 4” on page 51.

The steps for installing or removing a drive in the removable drive cage are:

1. Remove the drive cage
2. Install or remove the drive
3. Replace the removable drive cage
4. Remove or replace a bay panel

Details of these steps are given over the following pages.

Before you begin

- Read “Electrical Safety” on page 4 and “Handling Static-Sensitive Devices” on page 5.
- Read the instructions that come with the drive you want to install or replace.
- Turn off the computer and all other connected devices.
- Disconnect all cables attached to the computer.

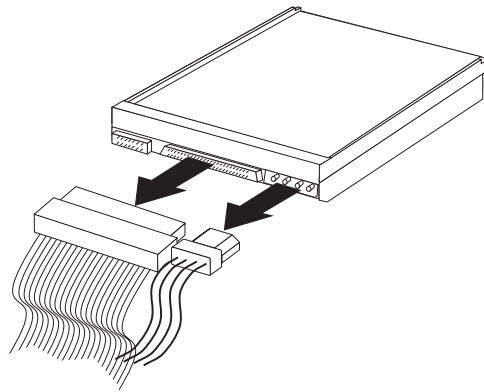
Attention: The presence of 5 V standby power might result in damage to your hardware unless you disconnect the power cord from the wall before opening the computer.

- Remove the computer cover (see “Disconnecting Cables and Removing the Cover” on page 6).

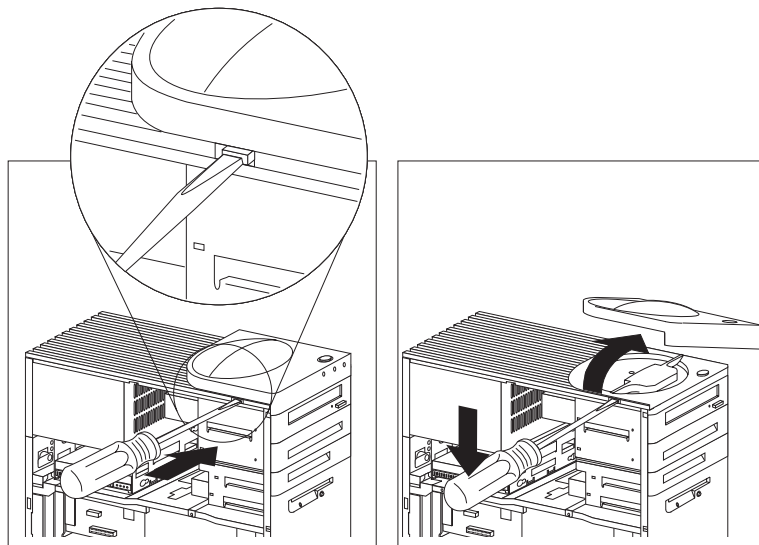
Note: The following illustrations show the computer in an upright position. When installing or removing drives, you might find it easier to lay the computer on its side.

1 Remove the Drive Cage

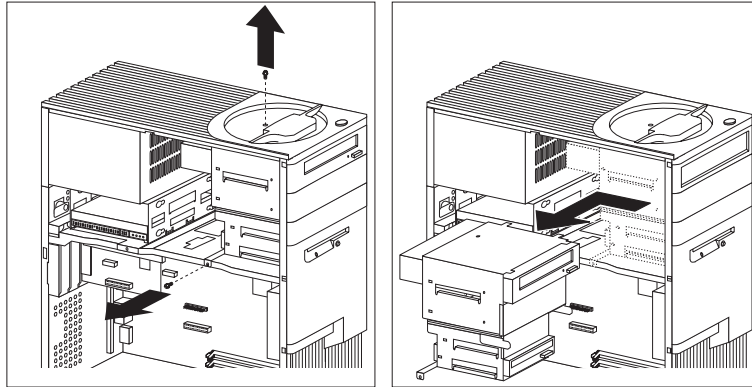
- a** Disconnect any cables connected to drives 1 through 4.



- b** Remove the top-handle cover and set it aside.



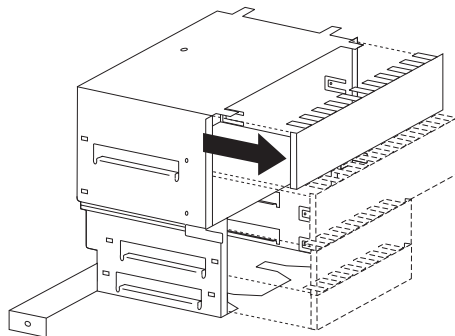
- c** Remove the top-handle screw and the screw from the drive support bracket. Next, move the drive cage towards the power supply until it stops, and then lift it away from the computer.



2 Install or Remove the Drive

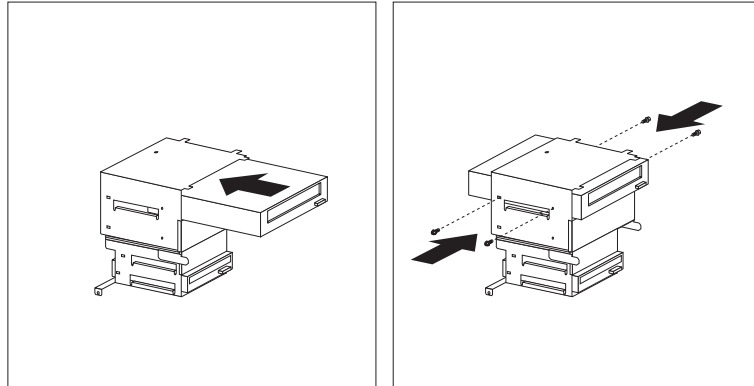
To install a drive:

- a** Remove the metal shield for the drive bay you want to use by pulling out the tabs on the sides of the shield until it flexes. Lift off one side, then the other.



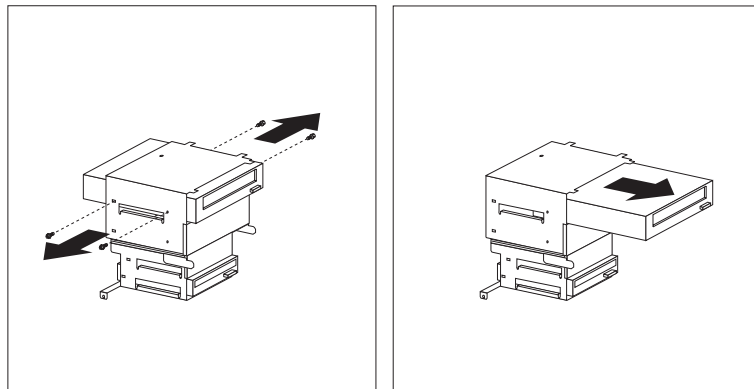
- b** Touch the static-protective package containing the new drive to any *unpainted* metal surface and then remove the drive from it.

- c** Install the drive into the drive bay. Insert and tighten the screws that hold the drive in place. The following illustration shows a CD-ROM drive being installed in bay 1.



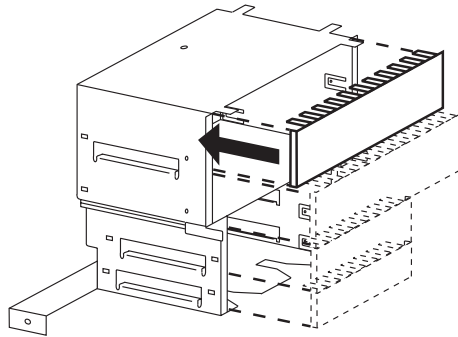
To remove a drive:

- a** Remove the screws holding the drive in place; then slide the drive out of the bay.



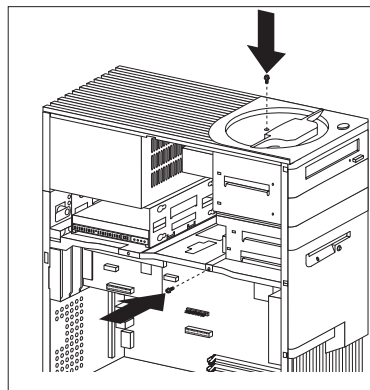
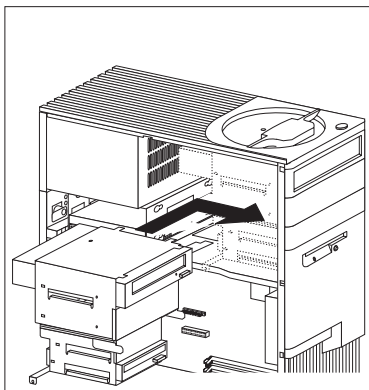
- b** Place the removed drive in a static-protective package.

c Insert the metal shield into the front drive cage.

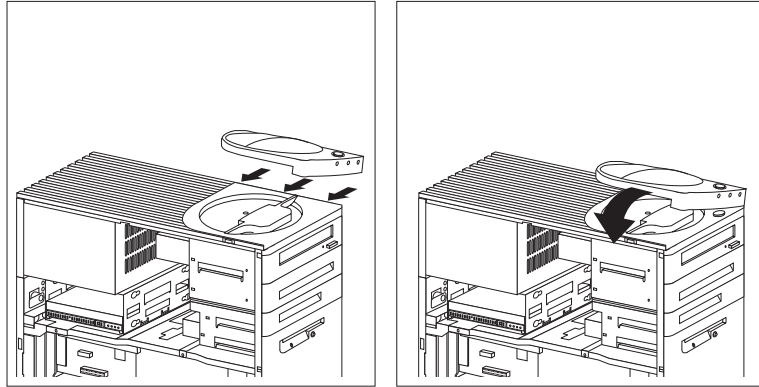


3 Replace the Removable Drive Cage

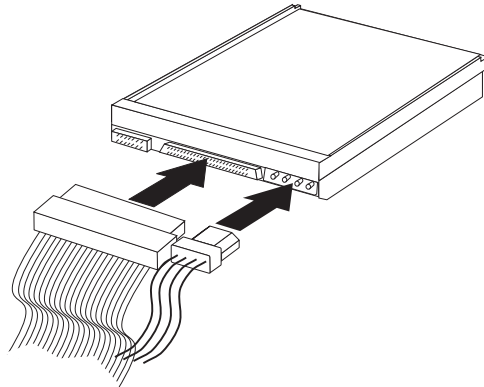
- a** Insert the drive cage and slide it to the right until it docks against the front of the computer; be sure the holes (for the screws) in the drive cage and support bracket are aligned.
- b** Insert and tighten the screw anchoring the drive cage at the side; then insert and tighten the screw on top.



c Replace the top-handle cover.



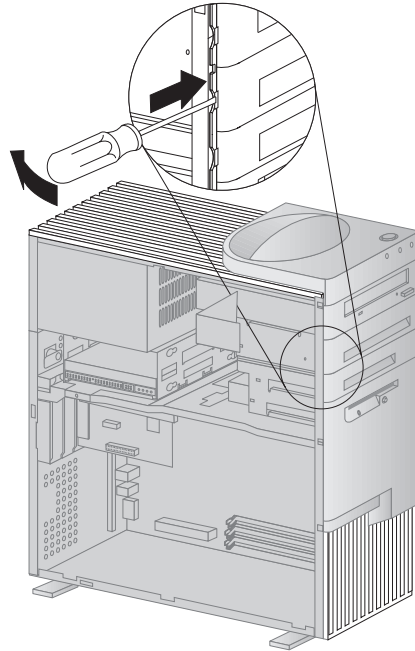
d Attach the cables to the drives. If necessary, refer to page 28 for an illustration showing the locations of the drive connectors on the riser card.



4 Remove or Replace a Bay Panel

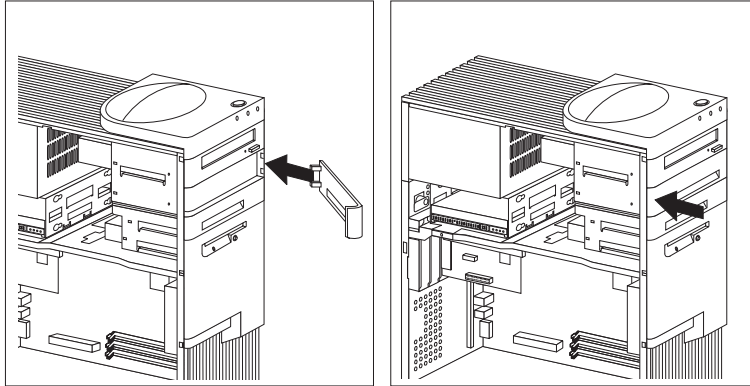
To remove a bay panel:

If you have installed a drive with removable media, you must remove the bay panel. Use the tip of a screwdriver to release the bay panel.



To replace a bay panel:

If you have installed a drive with non-removable media, or if the drive bay is empty, you must install a bay panel (if not already installed). Align the right-hand edge of the bay panel with the matching opening in the front of the computer, and gently press the left edge closed until it snaps.



What to do next

- If you installed a CD-ROM drive and want to connect the drive to the CD-ROM audio connector, see page 27 to locate the CD-ROM audio connector on the riser card.
- Go to the device-record form in *Using Your Personal Computer* and record the installation or removal of the drive.
- To work with another option, go to the appropriate section.
- To complete the installation, go to Chapter 7, “Completing the Installation” on page 76.

Non-Removable Drive Cage Instructions

The following instructions are for computers that have a non-removable drive cage for bays 1 through 4. To determine if your computer has this type of drive cage, see “Working with Drives in Bays 1, 2, 3, or 4” on page 51.

- “Installing a Drive” on page 61
- “Removing a Drive” on page 65

Before you begin

- Read “Electrical Safety” on page 4 and “Handling Static-Sensitive Devices” on page 5.
- Turn off the computer and all other connected devices.
- Disconnect all cables attached to the computer.

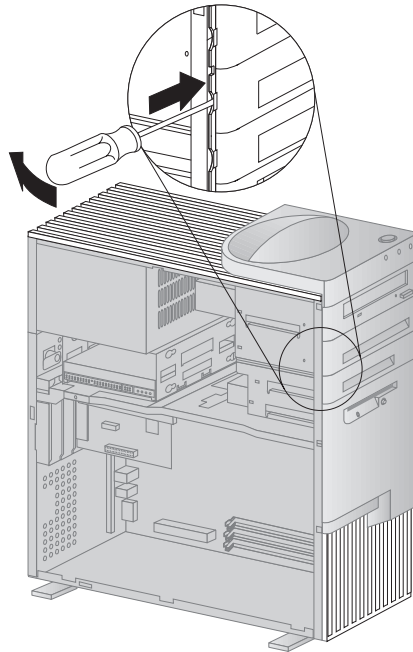
Attention: The presence of 5 V standby power might result in damage to your hardware unless you disconnect the power cord from the wall before opening the computer.

- Remove the computer cover (see “Disconnecting Cables and Removing the Cover” on page 6).

Note: The following illustrations show the computer in an upright position. When installing or removing drives, you might find it easier to lay the computer on its side.

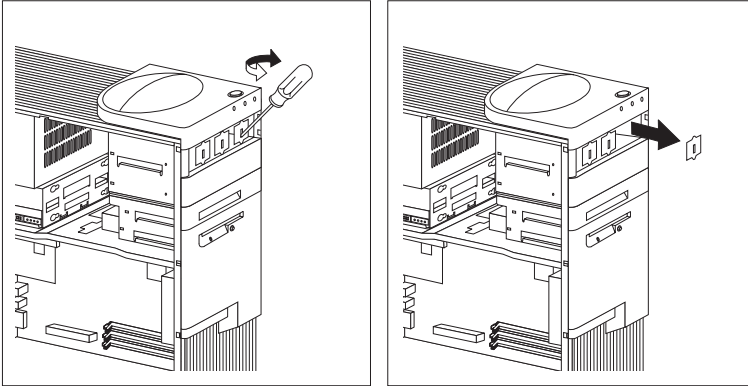
Installing a Drive

- 1 Use the tip of a screwdriver to remove the bay panel for the appropriate drive bay. The following illustration shows a bay panel being removed from drive bay 2.

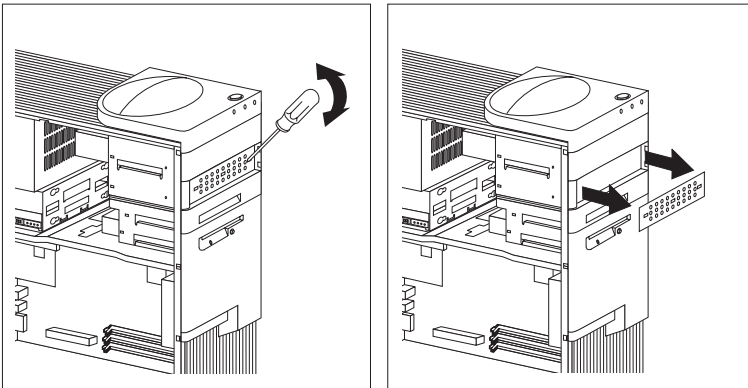


- 2** If knockouts are present in the drive bay opening, twist them with a screwdriver or pliers to remove.

The following illustration shows the type of knockout in bay 1.

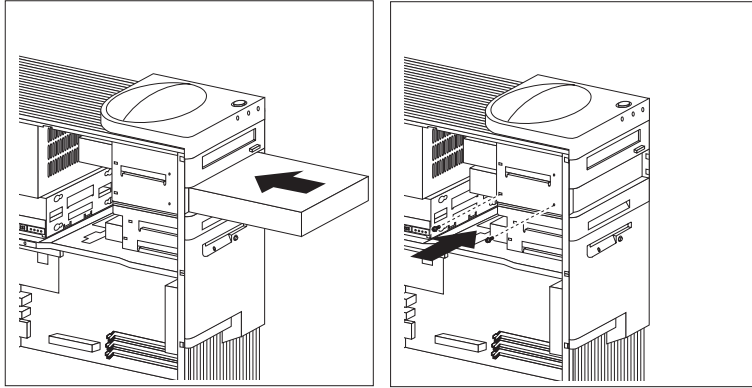


The following illustration shows the type of knockout in bays 2 and 3.

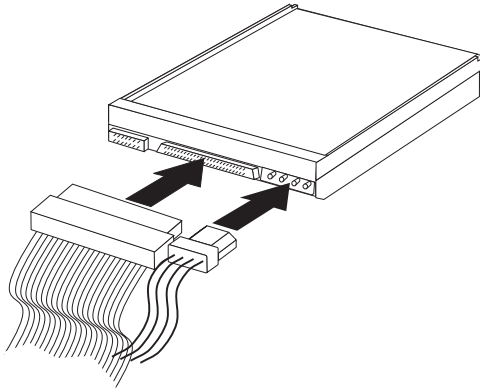


3 Install the drive in the bay opening and secure the drive by inserting screws.

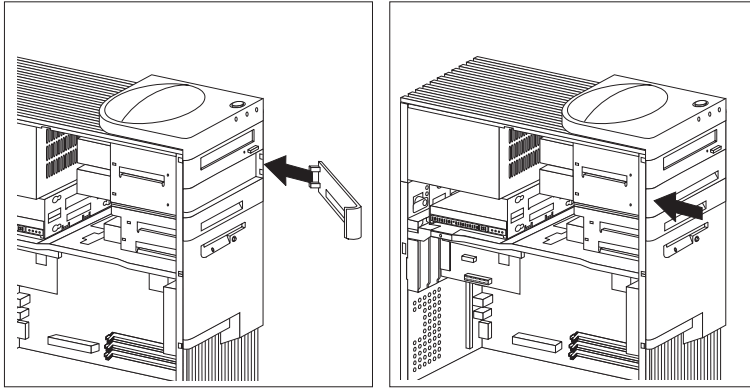
Note: As shown in the following illustration, only two screws are needed to secure the drive within the drive bay.



4 Attach the cables to the drives. If necessary, refer to page 28 for an illustration showing the locations of the drive connectors on the riser card.



5 If the installed drive has non-removable media, replace the bay panel.



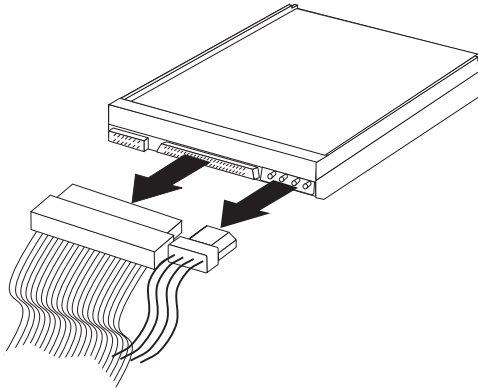
What to do next

- If you installed a CD-ROM drive and want to connect the drive to the CD-ROM audio connector, see page 27 to locate the CD-ROM audio connector on the riser card.
- Go to the device-record form in *Using Your Personal Computer* and record the installation of the drive.
- To remove a drive, see “Removing a Drive” on page 65.
- To work with another option, go to the appropriate section.
- To complete the installation, go to Chapter 7, “Completing the Installation” on page 76.

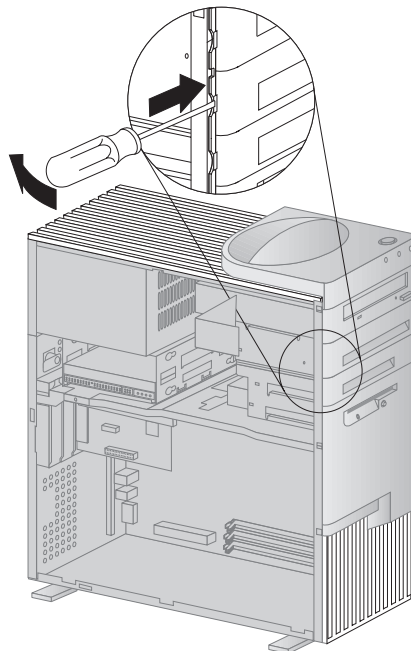
Removing a Drive

Note: The following instructions are for computers that have a non-removable drive cage.

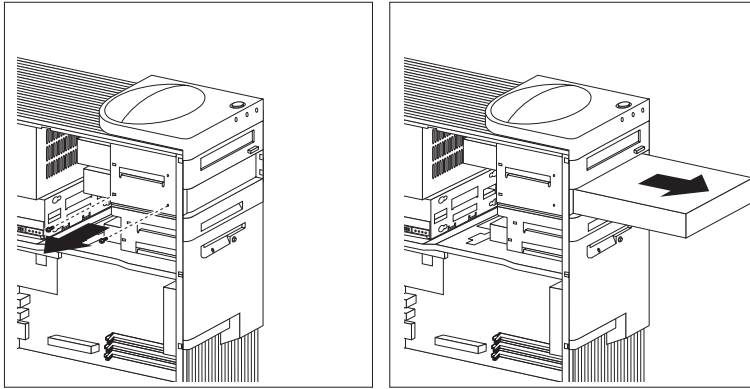
- 1** Disconnect all cables from the drive you want to remove.



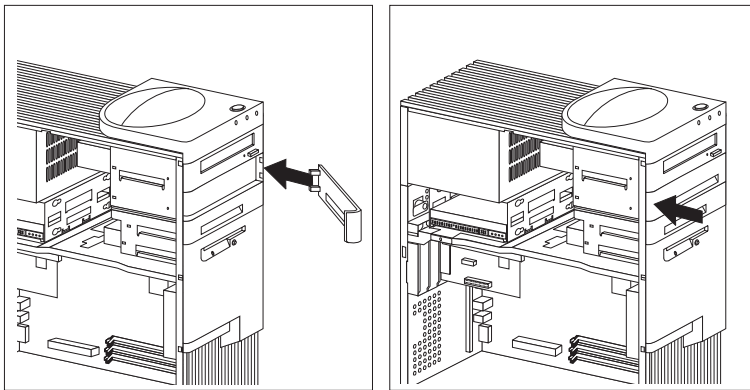
- 2** Use the tip of a screwdriver to remove the panel for the appropriate drive bay.



- 3** Remove the two screws holding the drive and slide it out the front of the computer.



- 4** If you are not installing another drive, replace the bay panel.



What to do next

- Go to the device-record form in *Using Your Personal Computer* and record the removal of the drive.
- To install a drive, see “Installing a Drive” on page 61.
- To work with another option, go to the appropriate section.
- To complete the installation, go to Chapter 7, “Completing the Installation” on page 76.

Working with Drives in Bays 5 and 6

Any drives installed in bays 5 and 6 must be devices with non-removable media, such as hard disk drives. (Your computer comes with a hard disk drive in bay 6.) To install or remove drives in these bays, you must remove the drive cage. This section contains instructions for installing and removing drives.

Before you begin

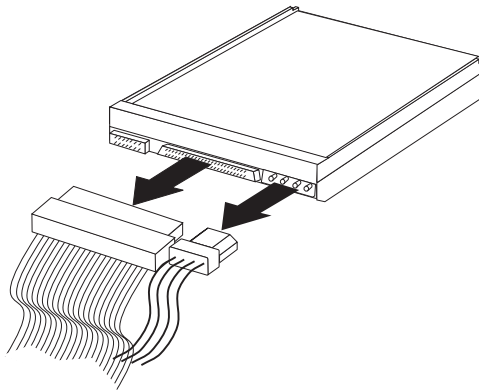
- Read “Electrical Safety” on page 4 and “Handling Static-Sensitive Devices” on page 5.
- Read the instructions that come with the optional device.
- Turn off the computer and all other connected devices.
- Disconnect all cables attached to the computer.

Attention: The presence of 5 V standby power might result in damage to your hardware unless you disconnect the power cord from the wall before opening the computer cover.

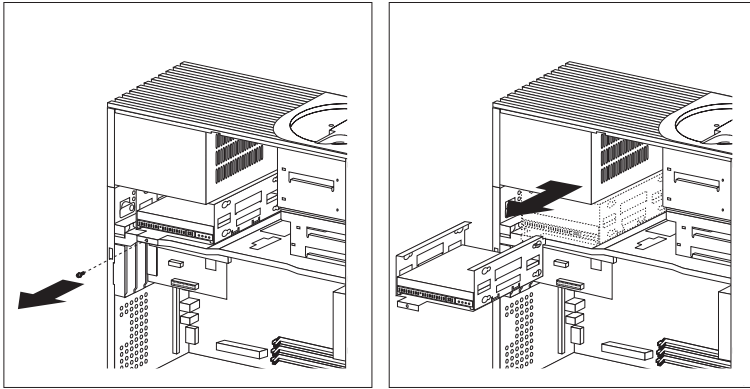
- Remove the computer cover (see “Disconnecting Cables and Removing the Cover” on page 6).

Note: The following illustrations show the computer in an upright position. When installing or removing drives, you might find it easier to lay the computer on its side.

- 1 Disconnect all cables attached to drives in bays 5 and 6.

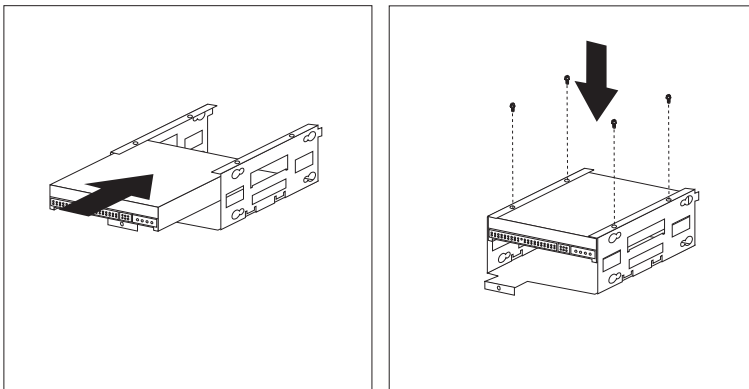


- 2** Remove the screw holding the drive cage and carefully slide the drive cage away from the computer.

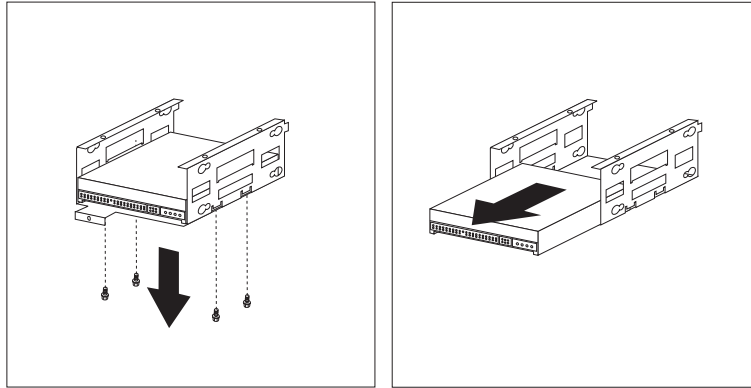


- 3** Do one of the following:

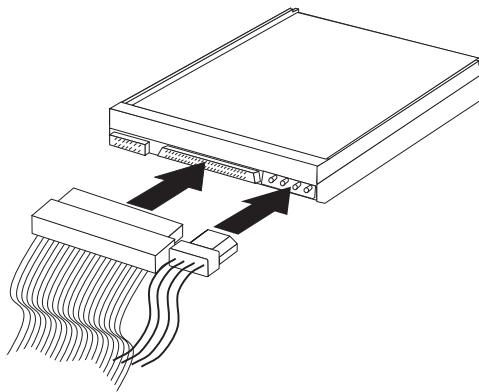
- To install a drive, slide the drive into the bay and secure it with the screws. The following illustration shows a drive being installed in bay 5.



- To remove a drive, remove the screws holding the drive in the cage and slide the drive out of the cage. The following illustration shows a drive being removed from bay 6.



- 4** Reinstall the drive cage and secure it with the screw you removed in step 2 on page 68.
- 5** Connect the cables to the drive.



What to do next

- Go to the device-record form in *Using Your Personal Computer*, and record the installation or removal of the drive.
- To work with another option, go to the appropriate section.
- To complete the installation, go to Chapter 7, “Completing the Installation” on page 76.

Chapter 6. Working with Security Options

This chapter describes some of the security options that are available for your computer.

To help prevent hardware theft, you can add a security U-bolt and cable to your computer. To erase lost or forgotten passwords, you can move the Clear CMOS Request jumper on the system board.

Note: Use the Configuration/Setup Utility program to set, change, or delete passwords. For more information, see *Using Your Personal Computer*.

The following list is a quick reference to these procedures:

- “Installing a U-Bolt” on page 71
- “Erasing Lost or Forgotten Passwords” on page 73
- Enabling/Disabling the Administrative Password in the *Using Your Personal Computer*.
- Enabling the "read only," write protect, diskette operations in the *Using Your Personal Computer*.

Installing a U-Bolt

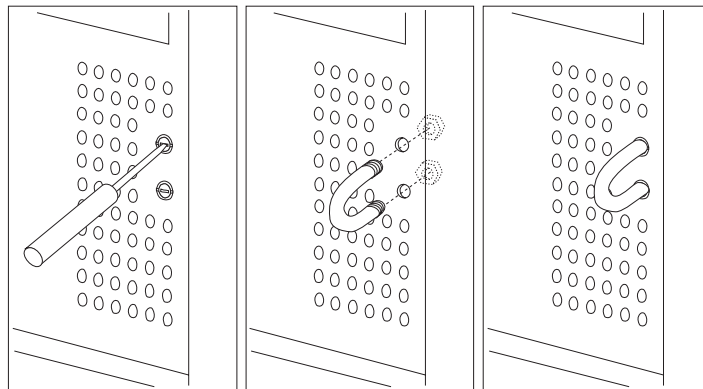
You can add a U-bolt to the rear of your computer. Adding a U-bolt enables you to add a security cable and lock that helps prevent hardware theft. After you add the security cable, make sure that it does not interfere with other cables that are connected to the computer.

Before you begin

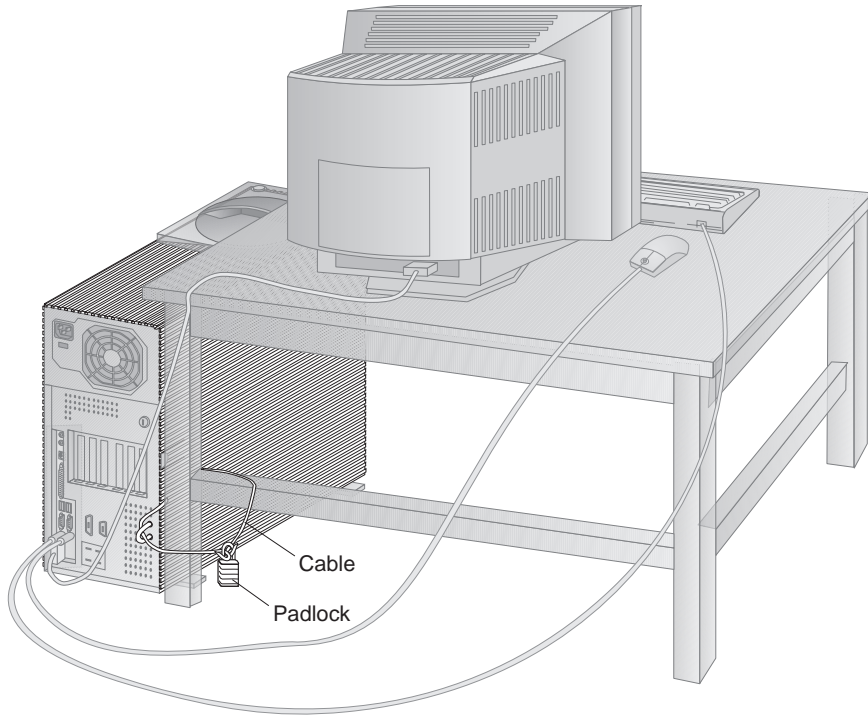
- Obtain the following:
 - A 19-mm (3/4 in.) U-bolt and threaded nuts that fit the U-bolt
 - A security cable
 - A lock, such as a combination lock or padlock
 - An adjustable wrench
- Read “Electrical Safety” on page 4 and “Handling Static-Sensitive Devices” on page 5.
- Turn off the computer and all connected devices.
- Disconnect all external cables and power cords, and remove the computer cover (see “Disconnecting Cables and Removing the Cover” on page 6).

Note: The external connectors on the rear of your computer might differ from the ones shown in this section.

- 1** Locate the two holes on the lower right edge of the rear of the computer.
- 2** Insert the U-bolt through the rear panel; then, attach and tighten the nuts with an adjustable wrench.



- 3** Replace the computer cover. For more information, see “Replacing the Cover and Connecting the Cables” on page 77.
- 4** Thread the cable through the U-bolt and around an object that is not a part of or permanently secured to the building structure or foundation, and from which it cannot be removed, then fasten the cable ends together with a lock.
The following illustration shows an example of how this might work.



Erasing Lost or Forgotten Passwords

Note: To set a new password after completing this procedure, see *Using Your Personal Computer*.

Your computer uses *complementary metal-oxide semiconductor (CMOS)* memory on the system board for storing configuration and setup information. CMOS memory maintains information about:

- Date and time
- Security features
- Power-management devices
- Storage devices
- Keyboard and mouse
- ISA legacy configuration information
- Plug and Play configuration information
- Port assignments
- I/O addresses and interrupts
- Other selectable features

Within the security features are the settings for the power-on and administrator passwords. If you need to *erase* a lost or forgotten password, you must move a jumper to clear CMOS memory.

Enhanced Security Information for PC 300PL Models

Some models have a new, Enhanced Security feature that provides extra protection for your administrator password, as well as your startup sequence settings. With Enhanced Security enabled, your administrator password and startup sequence area stored in a highly-protected, nonvolatile, security EEPROM module that is separate from CMOS memory and the EEPROM module that stores system programs. When your administrator password and startup sequence are locked in the security EEPROM, they remain intact even if the battery in your computer expires or is removed by someone.

Be careful to keep a copy of your administrator password locked in a secure place, because if you have this Enhanced Security feature and forget your administrator password, your system will be unusable.

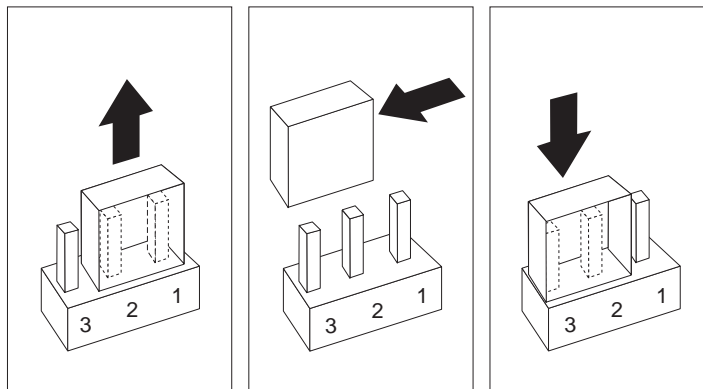
For more information on Enhanced Security, see *Using Your Personal Computer*.

Before you begin

- Using the Configuration/Setup Utility program, record all configuration information. Clearing CMOS memory sets the configuration of your computer to the default settings. Because you need to reconfigure the computer after clearing CMOS memory, record the configuration information of your computer *before* moving the Clear CMOS Request jumper.
- Read “Electrical Safety” on page 4 and “Handling Static-Sensitive Devices” on page 5.
- Turn off the computer and disconnect all cables except the power cord.
- Remove the computer cover.
- Lay the computer on its side.
- Locate the Clear CMOS Request jumper. See “Identifying Parts on the System Board” on page 13.

Note: You might have to remove adapters to gain access to the jumper. See “Removing Adapters from the Riser Card” on page 34.

- 1** Move the jumper from its normal position (pins 1 and 2) to pins 2 and 3. It might be helpful to use needle-nose pliers to move the jumper, but be careful not to scrape any system board components or crush the jumper.

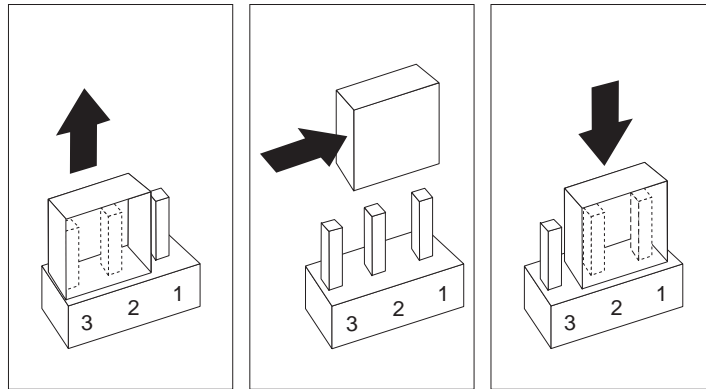


CAUTION:

Do not touch any of the internal components of the computer.

- 2** Reconnect the cables and turn on the computer. CMOS memory is now cleared and the passwords have been erased. After the POST completes, configuration error messages are displayed.
- 3** Follow the instructions on the screen to continue.

- 4 When the Configuration/Setup Utility program starts, make the necessary changes, save the settings, and exit setup. Refer to “Updating the Computer Configuration” on page 79. When the message is displayed that instructs you to move the jumper to the normal position, turn power off.
- 5 Disconnect the power cord from the rear of the chassis.
- 6 Move the jumper back to its normal position (pins 1 and 2).



What to do next

After reassembling the computer (go to Chapter 7, “Completing the Installation” on page 76), use the Configuration/Setup Utility program to set any passwords or other configuration parameters. For more information, refer to *Using Your Personal Computer*.

Chapter 7. Completing the Installation

After working with options, you need to install any removed parts, replace the cover, reconnect any cables, including power cords and telephone lines. Also, depending on the option installed, you might need to update information in the Configuration/Setup Utility program.

The following list is a quick reference to the completion procedures:

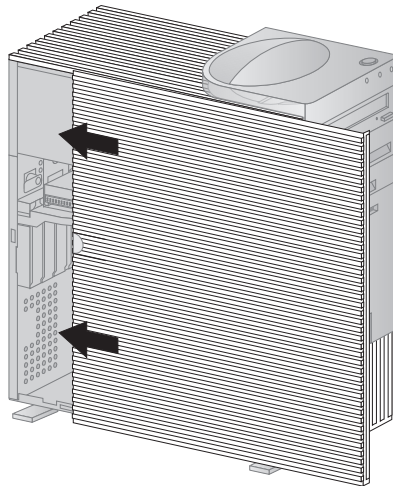
- “Replacing the Cover and Connecting the Cables” on page 77
- “Updating the Computer Configuration” on page 79

Replacing the Cover and Connecting the Cables

Before you begin

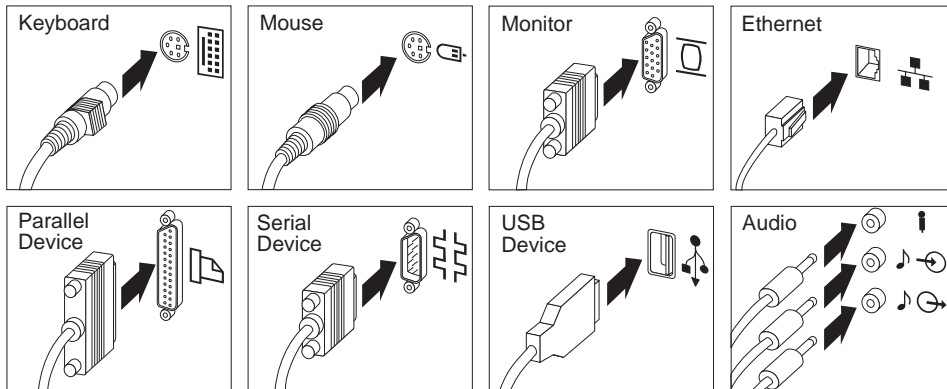
- Read “Electrical Safety” on page 4 and “Handling Static-Sensitive Devices” on page 5.
- If you set the computer in an upright position, ensure that the stabilizer feet are hanging over the edge of the table so that they don't break.

- 1** Ensure that all components have been reassembled correctly and that no tools or loose screws are left inside your computer.
- 2** Clear any cables that might impede the replacement of the cover.
- 3** Make sure the cover lock (if present) is in the unlocked position.
- 4** Place the cover on the computer frame. Secure the cover by sliding it until the cover aligns with the rear of the computer.



- 5** If a cover lock is present, go to the back of the computer and lock the cover.

6 Reconnect the external cables and cords to the computer.



Note: Your computer might not have all the connectors shown.

7 If you have a modem or fax machine attached to the computer, reconnect the telephone line to the wall outlet and the serial port. Plug the power cords into properly grounded electrical outlets.

Important

In the United Kingdom, by law, the telephone cable must be connected after the power cord.

8 Update the computer configuration. See “Updating the Computer Configuration” on page 79.

Note: If an error message related to the chassis-intrusion detector appears after you restart your computer, you must enter the administrator password. For more information, see Appendix A, “PC 300PL Asset Security Settings” on page 86.

Updating the Computer Configuration

Important

The configuration information in this section applies to installing options. For more information on using the Configuration/Setup Utility program, see *Using Your Personal Computer*.

Also, you might need to install device drivers after updating the configuration settings. For more information, see the instructions that come with the option to determine if device drivers are required and how to install them. Also, video device drivers are on the *Ready-to-Configure Utility Program* CD.

After you add, remove, or replace options, you must update the information in the configuration settings. This reconfiguration is performed automatically by the computer (but you must save the changes), or *manually* by you. When the computer automatically configures an option, it uses system programs. If the system programs do not update the settings, you can use the Configuration/Setup Utility program to reconfigure the appropriate settings.

For example, when you start your computer after adding most internal hard disk drives, the settings are automatically updated and you use the Configuration/Setup Utility program to save those changes. However, if a resource conflict arises after an ISA legacy adapter is installed or removed, you must manually update the computer configuration and save the information.

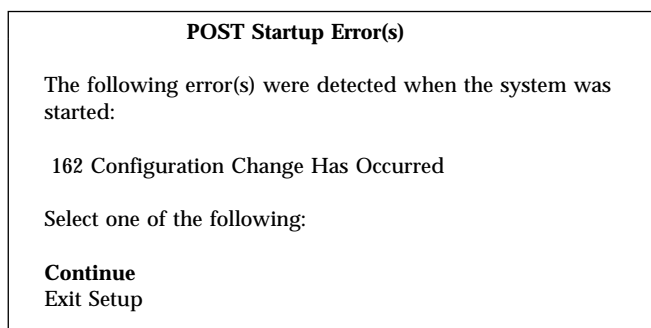
Notes:

1. Make a record of all customized settings before you make any modifications.
2. For more information on error messages from resource conflicts, see *Using Your Personal Computer*.

Starting the Configuration/Setup Utility Program

When you restart the computer for the first time after working with most options, a message appears indicating that a configuration change has occurred. You are then prompted to enter the Configuration/Setup Utility program to manually update the configuration settings or to confirm and save the settings that were automatically updated by the system programs.

After you change an option and restart the computer, the following screen might appear.



Note: Depending on the configuration changes that occurred, the error message you see might be different from the one shown here.

If the preceding screen appears, select **Continue** until you reach the Configuration/Setup Utility menu and then go to "Changing Settings and Exiting" on page 82.

If the preceding screen does not appear, use the following procedures to access the Configuration/Setup Utility menu.

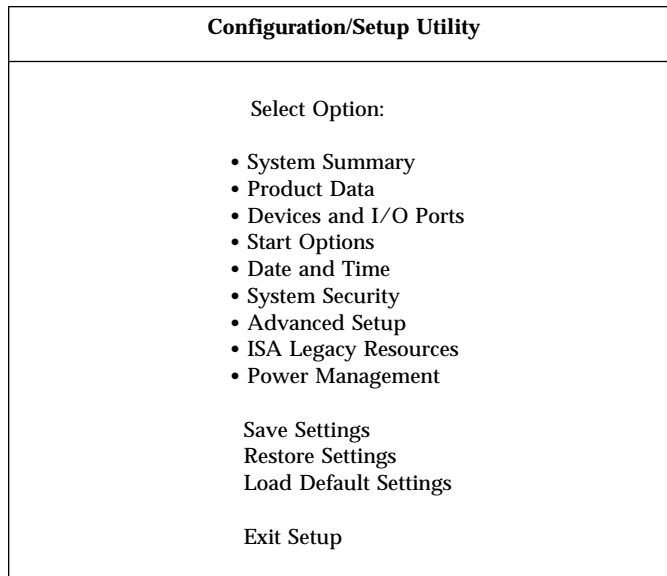
To access the Configuration/Setup Utility program:

1 Turn on the computer.

If your computer is on when you start this procedure, you must shut down the operating system, turn off the computer and wait a few seconds, and then restart the computer. Do not use **Ctrl+Alt+Del** to restart the computer.

2 When the Configuration/Setup Utility prompt appears in the lower left corner of the screen, press **F1**.

- a. If you have *not* set an administrator password, the Configuration/Setup Utility program menu appears. If you have set an administrator password, type the administrator password and press **Enter**.
- b. If you have set both an administrator and a power-on password, you can type either of the passwords at the password prompt. However, if you type your power-on password, you can *view* limited information in the Configuration/Setup Utility program, but you cannot *change* settings. To change settings in the Configuration/Setup Utility program, type your administrator password at the password prompt.



Note: The menu you see on your computer might look slightly different from the menu shown here, but it will operate the same way.

Changing Settings and Exiting

In the Configuration/Setup Utility menus, you can accept the configuration changes by viewing and saving the changes, or you can make manual changes and then save the settings.

The following is a quick reference for identifying symbols in the Configuration/Setup Utility program. For information on the function of keys, see *Using Your Personal Computer*.

- If a bullet (•) is beside a menu item, an additional menu is available.
- Most information enclosed in brackets ([]) can be changed. You cannot change information that is not surrounded by [].
- If a right arrowhead (►) is beside a menu item, a configuration change occurred in that category. The ► might also appear in subsequent menus.
- If an asterisk (*) is beside a menu item, a resource conflict is detected.

When you complete your changes or finish viewing information, return to the Configuration/Setup Utility menu and select **Save Settings** to save the changes. From this location, you can exit the Configuration/Setup Utility program.

To exit from the Configuration/Setup Utility program, follow these steps:

- 1** From the Configuration/Setup Utility menu, press **Esc**.
- 2** The Exit Setup menu appears. You can save your changes, exit from the Configuration/Setup Utility program without saving your changes, or return to the Configuration/Setup Utility menu. Use the arrow keys to select the desired option and press **Enter**.

Configuring an ISA Legacy Adapter

To configure an installed ISA legacy adapter, you might need to alter switch or jumper settings on the adapter. If there is a conflict, you must use the Configuration/Setup Utility program to set the ISA legacy resource information, such as memory locations, I/O assignments, and DMA and interrupt assignments.

Note: For more information about required resources and switch settings, refer to the documentation that comes with the adapter.

To set the legacy resource information for an installed adapter:

- 1** Start the Configuration/Setup Utility program (see “Starting the Configuration/Setup Utility Program” on page 80).
- 2** Select **ISA Legacy Resources** from the Configuration/Setup Utility menu.
- 3** As needed, select **Memory Resources**, **I/O Port Resources**, **DMA Resources**, or **Interrupt Resources**.
- 4** Set the appropriate resource to **ISA Resource**.
- 5** Press **Esc** to return to the main menu.
- 6** Select **Save Settings** and press **Enter**.

If you remove an ISA legacy adapter, you must reset to **Available** the system resources that are no longer being used. To do this, follow the above procedures and select **Available** at step 4.

Note: For more information on adapters and resolving conflicts, see “Adapter Configuration” on page 29 and Appendix C, “Interrupt and DMA Resources” on page 89.

Configuring Startup Devices

Startup devices are devices where the computer looks for an operating system when it is powered on. After adding new devices to the computer, you might want to change the sequence of the startup devices. You can use the Configuration/Setup Utility program to change the sequence of startup devices.

To change the sequence of startup devices:

- 1** Start the Configuration/Setup Utility program (see “Starting the Configuration/Setup Utility Program” on page 80).
- 2** Select **Start Options** from the Configuration/Setup Utility menu.
- 3** Select **Startup Sequence**.
- 4** Select **First Startup Device** from the Primary Startup Sequence.
- 5** Use the arrow keys to make your selection and press **Enter**.
- 6** If necessary, repeat step 5 for the **Second Startup Device**, **Third Startup Device**, and **Fourth Startup Device**.
- 7** If **Automatic Power On Startup Sequence** is enabled, repeat steps 3-5 to select the startup devices for Automatic Power On Startup.
- 8** Press **Esc** to return to the main menu.
- 9** Select **Save Settings** and press **Enter**.

Appendix A. PC 300PL Asset Security Settings

If you have set an administrator password on a PC 300PL system, read the following.

The AssetCare and Asset ID settings in the Configuration/Setup Utility program are enabled when your computer is shipped. If you set an administrator password with the AssetCare and Asset ID settings enabled, the following occurs:

- The chassis-intrusion feature of your computer is enabled. Each time you remove the computer cover and subsequently power on the computer, the Power-On Self-Test (POST) notifies you that the cover has been removed. The message displayed on the computer screen is the POST message 176.

To bypass the message, you must enter the correct administrator password.

- Each time a component that is protected by asset security is removed and the computer is powered on, a POST message notifies you of the removal. Examples of such components are system-memory modules and the microprocessor. The message that displays is the POST message 177.

To bypass the message, you must enter the correct administrator password.

Important

When enhanced security is enabled, it is vital that you keep a record of your administrator password in a secure place. If you forget or lose the administrator password, the system board in your computer must be replaced in order to regain access to the Configuration/Setup Utility program. See *Using Your Personal Computer* for more information.

Appendix B. Changing the Battery

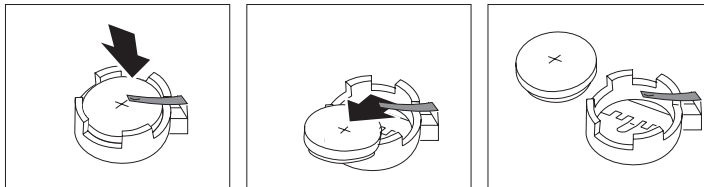
If you replace the original lithium battery with a heavy-metal battery or a battery with heavy-metal components, be aware of the following environmental consideration. Batteries and accumulators that contain heavy metals must not be disposed of with normal domestic waste. They will be taken back free of charge by the manufacturer, distributor, or representative, to be recycled or disposed of in a proper manner.

Before you begin

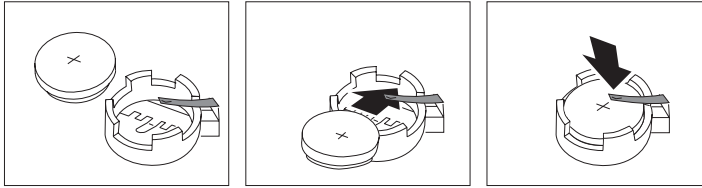
- Read “Electrical Safety” on page 4 and “Handling Static-Sensitive Devices” on page 5.
- Read the instructions that come with the replacement battery.
- Turn off the computer and all connected devices.
- Disconnect all external cables attached to the computer and then remove the computer cover (see “Disconnecting Cables and Removing the Cover” on page 6 if you need additional information).

For information on locating the battery, see “Identifying Parts on the System Board” on page 13.

- 1** If necessary, remove any adapters or cables that might impede access to the battery. For instructions, see “Removing Adapters from the Riser Card” on page 34.
- 2** Read “Lithium Battery Notice” on page vii.
- 3** Remove the old battery as shown in the following illustrations.



4 Install the new battery as shown in the following illustrations.



Note: When the computer is turned on for the first time after the battery has been replaced, an error message might be displayed. This is normal.

What to do next

- To work with another option, go to the appropriate section.
- To complete the replacement, go to Chapter 7, “Completing the Installation” on page 76.
- Use the Configuration/Setup Utility program to set the date and time and any passwords. For information on setting the date and time, refer to *Using Your Personal Computer*. For information on setting passwords, see *Using Your Personal Computer*.
- Dispose of the old battery as required by local ordinances or regulations.

Appendix C. Interrupt and DMA Resources

This appendix lists the settings for the default interrupt and direct memory access (DMA) resources for both the PC 300PL and PC 300GL.

Note: The interrupt and DMA settings might change under configuration control or can be changed by using the Configuration/Setup Utility program.

Table 2. Interrupt Resources for the PC 300PL

| Interrupt Request | System Resource |
|-------------------|---------------------------------|
| 0 | Timer |
| 1 | Keyboard |
| 2 | Interrupt Controller |
| 3 | Serial Port B |
| 4 | Serial Port A |
| 5 | Audio, if installed |
| 6 | Diskette |
| 7 | Available |
| 8 | Real time clock |
| 9 | Available |
| 10 | Available |
| 11 | Available |
| 12 | Mouse |
| 13 | Coprocessor |
| 14 | IDE Drives (0, 1), if installed |
| 15 | IDE Drives (2, 3), if installed |

Table 3. DMA Resources for the PC 300PL

| DMA Request | Data Width | System Resource |
|-------------|------------|---------------------|
| 0 | 8 bits | Audio, if installed |
| 1 | 8 bits | Audio, if installed |
| 2 | 8 bits | Diskette |
| 3 | 8 bits | Available |
| 4 | - | System Resource |
| 5 | 16 bits | Available |
| 6 | 16 bits | Available |
| 7 | 16 bits | Available |

Table 4. Interrupt Resources for the PC 300GL

| Interrupt Request | System Resource |
|--------------------------|---------------------------------|
| 0 | Timer |
| 1 | Keyboard |
| 2 | Interrupt Controller |
| 3 | Serial Port B |
| 4 | Serial Port A |
| 5 | Available |
| 6 | Diskette |
| 7 | Available |
| 8 | Real time clock |
| 9 | Available |
| 10 | Available |
| 11 | Available |
| 12 | Mouse |
| 13 | Coprocessor |
| 14 | IDE Drives (0, 1), if installed |
| 15 | IDE Drives (2, 3), if installed |

Table 5. DMA Resources for the PC 300GL

| DMA Request | Data Width | System Resource |
|--------------------|-------------------|------------------------|
| 0 | 8 bits | Available |
| 1 | 8 bits | Available |
| 2 | 8 bits | Diskette |
| 3 | 8 bits | Available |
| 4 | - | System Resource |
| 5 | 16 bits | Available |
| 6 | 16 bits | Available |
| 7 | 16 bits | Available |

Appendix D. Notices

References in this publication to IBM products, programs, or services do not imply that IBM intends to make these available in all countries in which IBM operates. Any reference to an IBM product, program, or service is not intended to state or imply that only that IBM product, program, or service may be used. Subject to IBM's valid intellectual property or other legally protectable rights, any functionally equivalent product, program, or service may be used instead of the IBM product, program, or service. The evaluation and verification of operation in conjunction with other products, except those expressly designated by IBM, are the responsibility of the user.

IBM may have patents or pending patent applications covering subject matter in this document. The furnishing of this document does not give you any license to these patents. You can send license inquiries, in writing, to:

IBM Director of Licensing
IBM Corporation
500 Columbus Avenue
Thornwood, NY 10594
U.S.A.

Trademarks

The following terms are trademarks of the IBM Corporation in the United States or other countries or both:

| | |
|----------------|-------------|
| Alert on LAN | Netfinity |
| Asset ID | PC 300 |
| IBM | ThinkPad |
| IntelliStation | Wake on LAN |

Intel and Pentium are trademarks or registered trademarks of Intel Corporation.

Index

A

- adapters
 - configuring 83
 - error messages 79
 - installing 31
 - installing an AGP 37
 - legacy 30
 - plug and play 29
 - removing 13, 34
 - resource conflicts 29, 30, 79
 - slots 27
 - types 29
- adding
 - adapters 31
 - adapters, AGP 37
 - internal drives 51, 54
 - memory modules (DIMMs) 16
 - security U-bolt 71
 - video memory module 20
- AGP adapters, installing 37

B

- battery
 - disposing of 87
 - handling precautions 87
 - lithium battery notice vii, 87
 - location on system board 13
 - ordering replacements 87
 - replacing 87
 - safety notice 87
- bay panel
 - installing 59
 - removing 58, 61, 65
- bays, drive 47
- bottom cover removal 39

C

- cables
 - connecting 78

- cables (*continued*)
 - disconnecting 6
 - electrical safety 4
 - IDE 49
 - types for internal drives 49
- cage
 - installing drives 54
 - permanently mounted 60
 - removable 53
 - removing drives 54, 65, 67
- cage, rear 67
- CD-ROM drive 9, 10, 47, 48
- clearing CMOS 73
- completing the installation 76
- components, locating internal 9
- configuration
 - adapters 29, 79
 - computer, updating 79
 - erasing information 73
 - memory modules 15
 - resolving conflicts 79
- Configuration/Setup Utility
 - changing settings 82
 - exiting 82
 - ISA legacy resources 29, 79
 - main menu 81
 - purpose 79
 - resource conflicts 29, 79
 - starting 80
 - startup devices 84
 - using 79
- connecting
 - cables, external 78
 - input/output devices 11
 - internal drives 49
- connectors
 - identifying 1
 - input/output 11
 - on system board 13
- conversion kit, drive cage 48

cover
 lock 6, 77
 release latch 6
 removing bottom 39
 removing side 6
 removing top-handle 51
 replacing bottom 39
 replacing side 77

D

device drivers 79
devices
 handling static-sensitive 5
 startup 84
DIMMs
 See memory modules
direct memory access (DMA) resources 89, 90
disconnecting
 cables, external 6
disk drive, hard 47, 48
diskette drive 47, 48
diskette-drive connector, location of 13
disposing of batteries 87
DMA (direct memory access) resources 89, 90
drive
 See also internal drives
 bays 47
 cables 49
 cage location 9
 cage, front 60
 cage, front permanently mounted 65
 cage, permanently mounted 60
 cage, removable 54
 specifications 48

E

erasing passwords 73
error messages, resource conflicts 29, 79
expansion slots for adapters 27

F

fan
 removal 44
 replacement 44
fixed-disk drive 48
front drive cage 54, 60, 65

H

handling
 batteries 87
 static-sensitive devices 5
hard disk drive 47, 48
hardware, removing 13
home page, IBM Personal Computer 3

I

IDE devices
 connecting 49
 primary connector 13
 secondary connector 13
identifying system board parts 13
input/output connectors 11
installation
 electrical safety 4
 options 2
 overview 1
 static-sensitive devices 5
installing
 adapters 31
 adapters, AGP 37
 battery 88
 bay panel 59
 cover 77
 internal drives in bays 1, 2, 3, or 4 51
 internal drives in bays 5 and 6 67
 memory modules (DIMMs) 16
 microprocessor upgrade 22
 security U-bolt 71
 video memory module 20
internal drives
 bays for 47, 48
 cables for 49

internal drives (*continued*)
 height requirements 48
 height restrictions 26, 46
 installing in bays 1 through 4 65
 installing in bays 1, 2, 3, or 4 51, 54, 60
 installing in bays 5 and 6 67
 introduction 47
 options 47, 48
 removing from bays 1, 2, 3, or 4 54, 65
 removing from bays 5 and 6 67
 types 47, 48
Internet home page 3
interrupt resources 89
ISA legacy resources 29, 79
ISA slots 27

J

jumper
 Clear CMOS Request 13, 73
 locations on system board 13
 recovery 13

K

keyboard port 11

L

laser compliance statement vi
latch, system board 13, 41
legacy adapters 30, 83
locating
 adapters 27
 drive bays 47
 expansion slots 27
 internal components 9
 system board components 13
lock, cover 6, 77

M

memory
 See system memory

memory modules
 configuration 15
 installing 16
 installing a video 20
 location on system board 13
 removing 18
 types 14
microprocessor
 location on system board 13
 replacing 22
 upgrade 22
Modem Ring Detect, hardware for 2
monitor connector 11
motherboard
 See system board
mouse port 11

N

notices 91

O

options
 adapters 29
 available 2
 internal drives 47, 48
 Internet home page 3
 introduction 1
 memory modules 14
 microprocessor 22
 security 70
 security U-bolt 71

P

parallel port 11
passwords
 erasing 73
 removing forgotten 73
PCI slots 27
planar
 See system board
plug and play
 adapters 29

- ports 6, 78
- power cords
 - connecting 78
 - connectors (internal), location of 13
 - disconnecting 6
 - internal drives 49
- precautions
 - battery handling 87
 - electrical safety 4
 - handling static-sensitive devices 5
- preparing for installation 6
- processor
 - See microprocessor

R

- rear drive cage 67
- removing
 - adapters 13, 34
 - administrator password 73
 - battery 88
 - bay panel 58, 61, 65
 - bottom cover 39
 - cover 6
 - fan 44
 - hardware 13
 - internal drives from bays 1, 2, 3, or 4 51
 - internal drives from bays 5 and 6 67
 - memory modules (DIMMs) 18
 - microprocessor 22
 - power-on password 73
 - system board 41
- replacement batteries, ordering 87
- replacing
 - battery 87
 - bottom cover 39
 - cover 77
 - fan 44
 - microprocessor 22
 - system board 42
- resource conflicts 26, 46, 79
- resource conflicts, error messages 29
- ribbon cables 49

- riser card
 - diagram 27
 - expansion slots 27
 - ISA slots 27
 - location on system board 13
 - PCI slots 27

S

- safety
 - battery handling 87
 - electrical 4
 - information v
 - procedures and guidelines 1
- safety notice, battery 87
- security options 70
- serial port 11
- Serial Port Ring Detect, hardware for 2
- side
 - cover removing 6
 - cover replacing 77
- signal cables for internal drives 49
- slots
 - adapters 31
 - expansion 27, 31
- specifications, drive bay 48
- startup devices, configuring 84
- static-sensitive devices, handling 5
- system board
 - accessing 13
 - components 2
 - description 13
 - diagram 13
 - identifying parts 13
 - installing 42
 - latch 41
 - layout 13
 - options 12
 - removing 41
- system memory
 - configuration 15
 - increasing 14
 - installing a DIMM 16
 - purpose 14
 - removing a DIMM 18

T

- tape drive 48
- telephone line
 - connecting 78
 - disconnecting 6
- tools required 3
- trademarks 91

U

- U-bolt, installing 71
- unknown power-on password,
 - removing 73
- updating computer configuration 79
- upgrading
 - memory modules 14
 - microprocessor 22
- USB port 11
- utility program, setup 79

W

- Wake on LAN, hardware for 2
- World Wide Web home page 3



Part Number: 06J0846

Printed in U.S.A.

May 1998

06J0846

