



DESCRIPTION

The ES692 is a single, highly integrated, high-performance, and economical wavetable music synthesizer for personal computers, delivering superior acoustic sound comparable to professional synthesizers. The ES692 includes reverb special effects without need of external RAM. With its embedded microcontroller, the ES692 supports General MIDI, providing for 128 melodic instruments with the ability to play back 32 voices of 16-bit data at a sampling rate of 44.1 kHz. Music is produced in high fidelity with the realism of a live symphony orchestra.

The ES692 includes a 1 MB wavetable ROM to provide a complete wavetable solution. This internal ROM provides digitally recorded sound samples of musical instruments.

The ES692 is designed to interface with the ES1xxx *AudioDrive*® chips without requiring any glue logic or external DAC. The ES692 interfaces with the music DAC of the ES1xxx via the third serial port of the host chip, providing a cost-effective implementation of a complete wavetable music synthesizer.

Advanced power management features include suspend/resume and automatic power-down when MIDI input is idle.

The ES692 is available in an industry-standard 100-pin Thin Quad Flat Pack (TQFP) package.

FEATURES

- Single chip, high-performance wavetable music synthesizer with embedded 1 MB ROM sample
- Reverb special effect without external RAM
- Playback of 16-bit data at 44.1 kHz via the ES1xxx DAC
- Stereo pan for each voice
- 32-voice polyphony
- MIDI serial port compatible with MPU-401 serial port of the ES1xxx
- General MIDI instrument set – 128 melodic and 47 rhythm instruments
- Digital serial interface with the ES1xxx
- Glueless interface with an ES1xxx *AudioDrive*® chip
- Advanced power management with automatic power-down when MIDI input is idle
- Context upload/download for suspend/resume
- 100-pin TQFP package

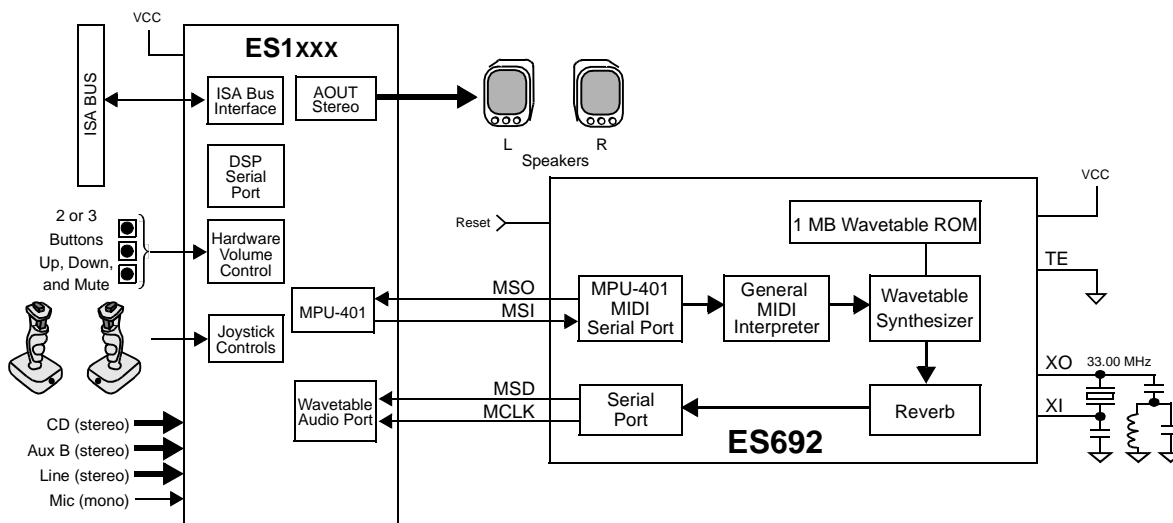
APPLICATIONS

- Multimedia PCs
- PC Games
- Music Synthesis
- Consumer Audio Equipment
- Karaoke Systems

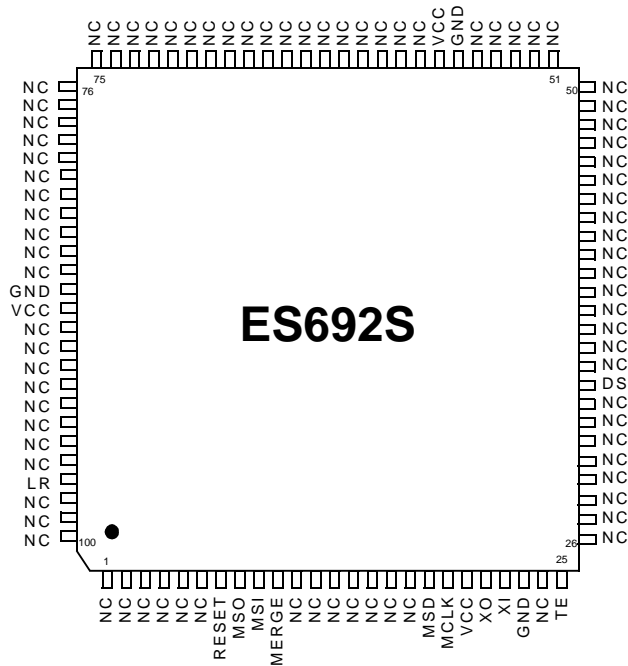
IMPLEMENTATION PLATFORMS

- Desktop PCs
- Notebooks
- Multifunction Cards
- Sound Cards
- Combination Audio-Fax/Modem Cards

TYPICAL APPLICATION



PINOUT



PIN DESCRIPTION

| Name | Number | I/O | Description |
|-------|--|-----|--|
| RESET | 7 | I | Active-high reset input. |
| MSO | 8 | O | MIDI serial output for two-way connection to ES1xxx <i>AudioDrive</i> ® controller. |
| MSI | 9 | I | MIDI serial input from ES1xxx <i>AudioDrive</i> ® controller. |
| MERGE | 10 | I | For one-way MIDI connection, this pin is left no-connect. For two-way MIDI connection, this pin is connected to external MIDI input. Use external pull-up resistor when MERGE is not connected to MIDI input. Normally, this pin is internally connected to MSO pin. |
| MSD | 18 | O | Music serial data to the ES1xxx <i>AudioDrive</i> ® controller. |
| MCLK | 19 | O | Music serial clock to the ES1xxx <i>AudioDrive</i> ® controller. |
| VCC | 20, 57, 88 | I | Power supply voltage (3.3 V). |
| XO | 21 | O | Oscillator output. Connect to 33.0 MHz crystal. |
| XI | 22 | I | Oscillator input. Connect to 33.0 MHz crystal. |
| GND | 23, 56, 87 | I | Ground. |
| TE | 25 | I | Test pin (reserved). Connect to GND for proper operation. |
| DS | 34 | I | Data format select for audio serial port. 0: 2-wire interface to ES1xxx <i>AudioDrive</i> ® controller 1: 3-wire interface to stereo DAC |
| LR | 97 | O | Left/right strobe for 3-wire interface to stereo DAC. |
| NC | 6:1, 17:11, 24, 33:26, 55:35, 86:58, 96:89, 100:98 | | No connection. |

ELECTRICAL CHARACTERISTICS

| Parameter | Symbol | Min | Typ | Max | Unit (conditions) |
|--|--------|-----|-----|-----|---------------------|
| Operating voltage | VCC | 3.0 | 3.3 | 3.6 | volts |
| Input low voltage | VIL | | 0.5 | 0.8 | volts |
| Input high voltage: all inputs except XI | VIH | 1.2 | | | volts |
| Input high voltage: XI | VIH2 | 2.5 | | | volts |
| Output low voltage | VOL | | | 0.4 | volts (IOL = 4 mA) |
| Output high voltage | VOH | 2.0 | | | volts (IOH = -3 mA) |
| Input leakage current high | IILH | | | 10 | microamps |
| Input leakage current low | ILL | | | -10 | microamps |

MAXIMUM RATINGS

| Rating | Symbol | Value | Units |
|-----------------------------|--------|-------------|-------|
| Power supply voltage | VCC | -0.3 to 7.0 | V |
| Voltage range on any pin | VIN | -0.3 to 7.0 | V |
| Operating temperature range | TA | 0 to 70 | Deg C |
| Storage temperature range | TSTG | -50 to 125 | Deg C |

SERVICE AND SUPPORT

- Evaluation Kit
- Manufacturing Kit
- Reference Design



ESS Technology, Inc.
48401 Fremont Blvd.
Fremont, CA 94538
Tel: 510-492-1088
Fax: 510-492-1098

(P) U.S. Patent 4,214,125 and others, other patents pending.
 All specifications are subject to change without prior notice.
AudioDrive® is a registered trademark of ESS Technology, Inc.
 All other trademarks are owned by their respective holders.