

# SILICON VALLEY COMPUTER, INC.

## ADP50-3, GOLD CARD40-T8

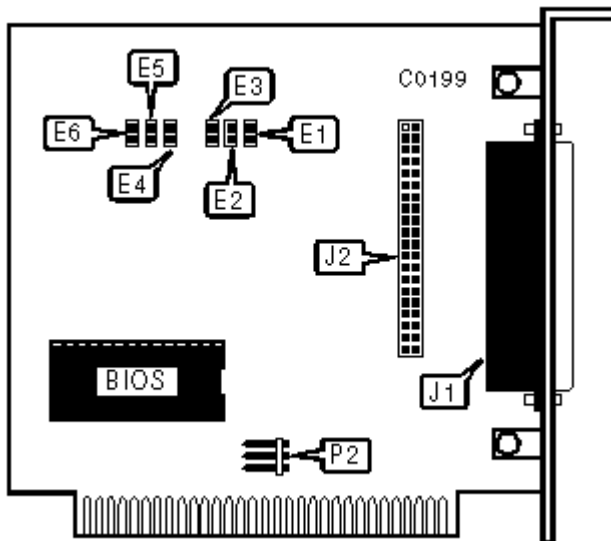


Data bus: 8-bit, ISA

Size: Half-length, full-height card

Hard drives supported: Two IDE (XT/AT) Interface drives

Floppy drives supported: Two 360KB or 720KB drives (external only)



CONNECTIONS	
Function	Location
DB-37 control cable connector-floppy drive	J1
40-pin IDE (XT/AT) Interface connector	J2
5-pin connector-DC power	P2

**BIOS ADDRESS**

<b>Select</b>		<b>E1</b>	<b>E2</b>	<b>E3</b>
	Disabled	open	open	open
»	C800h	open	open	closed
	CA00h	open	closed	closed
	CC00h	closed	open	closed
	CE00h	closed	closed	closed

**INTERRUPT REQUEST**

<b>Function</b>		<b>E4</b>	<b>E5</b>	<b>E6</b>
»	Disabled	open	open	open
	IRQ5	closed	open	closed
	IRQ2	closed	closed	open

**MISCELLANEOUS TECHNICAL NOTES**

This controller has a built-in low level format program. To enter the program run the DEBUG utility supplied with DOS and at the prompt enter: G=C800:6.