

1 Make connections.

Connect the player's VIDEO OUT or S-VIDEO OUT and AUDIO OUT connectors to your VCR's VIDEO or S-VIDEO and AUDIO input connectors.

2 Set the VCR's input mode.

Press **AUX** (number key "0") and/or **CH +/-** to select "F-1" (or "L-1" if you use the connectors on the rear).

- When using S VIDEO connector, set "FRONT AUX INPUT" (or "REAR AUX INPUT" if you use the connectors on the rear) to "S-VIDEO". (☞ pg. 71, 73)
- When using VIDEO connector, set "FRONT AUX INPUT" (or "REAR AUX INPUT") to "VIDEO". (☞ pg. 71, 73)

3 Select the recording deck.

Press **S-VHS** or **DV**.

- When using the DV deck as the recording deck, press ◀ so that the video and audio signals from the VIDEO/S-VIDEO and AUDIO L + R input connectors can be recorded. The dubbing direction indicator (↔ S-VHS) lights.

4 Prepare the recording cassette.

For the VHS deck

Load the recording cassette into the VHS deck, and play it back to determine the edit-out point (the end of the segment to be replaced) using the **ADVANCED JOG** dial, or pressing ◀ ▶ and **PAUSE** (II).

Then press **C.RESET** to reset the counter.

For the DV deck

Load the recording cassette into the DV deck.

5 Locate the start point.

Determine the edit-in point (the beginning of the segment to be replaced) using the **ADVANCED JOG** dial, or pressing ◀ ▶ and **PAUSE** (II).

- Be sure to engage the Still mode at the edit-in point.

6 Engage the Insert Editing mode.

Press **INSERT**.

- Your VCR enters the Insert Pause mode. ("O", "▶" and "■" light up on the front display panel.)
- The TV screen changes from the still picture to the input source you are going to record.

7 Start Editing.

Load the source cassette and play back the segment that is to be inserted. When you reach the start of the section of the source tape that you wish to insert, press **PLAY** (▶) to start the tape in your VCR; Insert Editing begins at this point.

- "O" and "▶" are displayed on the front display panel.

8 End Insert Editing.

For the VHS deck

At counter "0:00:00", Insert Editing will stop automatically while the tape continues running in the Play mode. If you wish to stop Insert Editing before the specified edit-out point, press **C.RESET**.

For the DV deck

Press **STOP** (■) to stop recording on the DV deck.

AV Insert Editing (VHS deck only)

If you want to replace the picture, Hi-Fi audio soundtrack and normal audio soundtrack all at the same time ...

... In step 6, after you press **INSERT**, press **A.DUB** also.

("O" and "▶" blink and "■" lights up on the front display panel.)

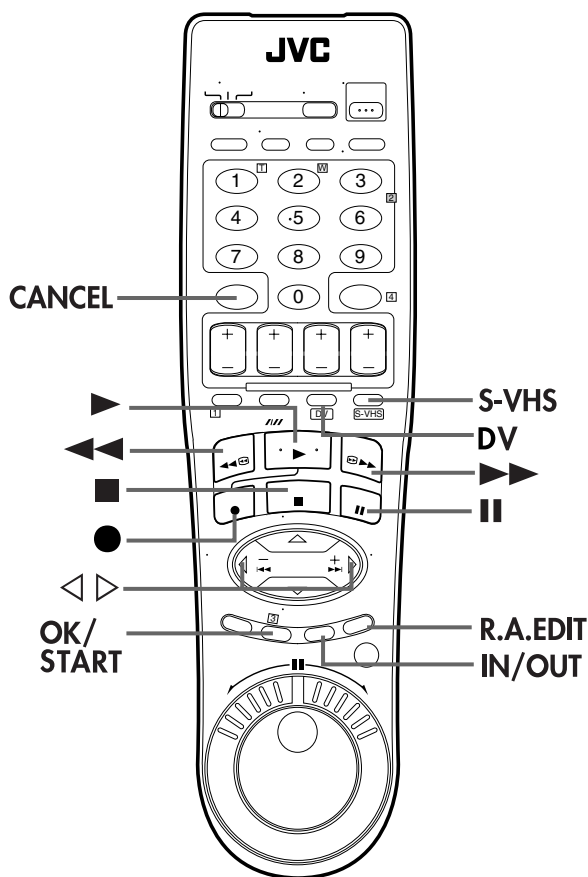
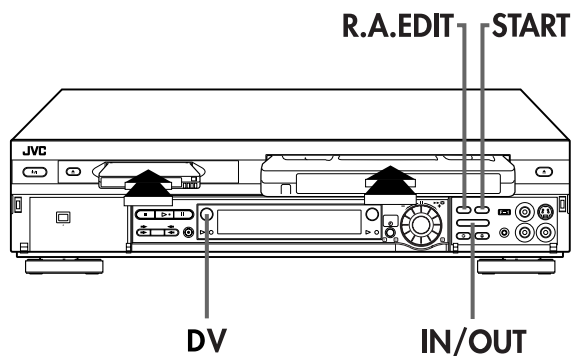
NOTES:

- Once the Insert Editing starts, you can not use the other deck.
- All necessary cables can be obtained from your dealer.
- Insert Editing cannot be performed on a VHS (or S-VHS) cassette that has had its record safety tab removed, or on a Mini DV cassette that has had its erase protection switch set to "SAVE".
- When Insert Editing is performed on a tape that has been recorded on another VCR, the inserted portion may appear distorted.
- In Insert Editing, the recording speed (SP/EP) is determined by the previous recording to be replaced. If the previous recording's speed changes within a single edit, the inserted picture will be distorted at the switching point. (VHS deck only)
- A small portion of the recording which precedes an insert edit may become erased.
- Insert Editing is also possible using the rear panel connectors. When using these connectors, be sure to set "REAR AUX INPUT" to the appropriate mode. (☞ pg. 71)
- Insert Editing is not possible using the DV IN/OUT connector.
- Insert Editing is not possible on a blank portion of the tape.

Random Assemble Editing

64-program Editing Memory (8 programs x 8 scenes)

By using the Random Assemble Editing function, you can select up to 8 scenes from a previously recorded Mini DV cassette and automatically dub them onto a VHS (or S-VHS) cassette. Random Assemble Editing is possible only when dubbing from the DV deck to the VHS deck.



1 Load cassettes.

For the VHS deck
Insert a VHS (or S-VHS) cassette with the record safety tab intact, or cover the hole using adhesive tape.

For the DV deck
Insert a Mini DV cassette with the erase protection switch set to "SAVE".

2 Select the DV deck.

Press **DV**.

3 Access the R.A.Edit screen.

Press **R.A.EDIT**. The R.A.Edit screen appears.

4 Select the program.

Press Δ / ∇ to move the arrow to select one program you want to edit, then press **OK** or \triangleright .

- To remove a program from the R.A.EDIT screen, select the program number, then press **CANCEL** for more than 2 seconds.

DV → VHS	
→ P1	3 : 46 PM 1 / 24 / 2000
P2	-- AM -- / -- / --
P3	-- AM -- / -- / --
P4	-- AM -- / -- / --
P5	-- AM -- / -- / --
P6	-- AM -- / -- / --
P7	-- AM -- / -- / --
P8	-- AM -- / -- / --

PRESS (\blacktriangle , \blacktriangledown), THEN START

5 Locate the start point.

Press **PLAY** (\blacktriangleright) to start playback. Find the edit-in point on the source tape from where you want the edited scene to begin by pressing **PAUSE** (**II**), then press **IN/OUT**.

- The edit-in point is registered in memory and appears on the screen.

P1	IN	OUT
1	- : - : - - - - ->	
2		
3		
4		
5		
6		
7		
8		

TC 0 : 00 : 00 TOTAL 0 : 00 : 00

6 Locate the end point.

Press **PLAY** (▶) to start playback. Find the edit-out point where you want the edited scene to end by pressing **PAUSE** (⏸), then press **IN/OUT**.

- The edit-out point is registered in memory and appears on the screen.
- The total time of the edited scenes is displayed to the right of "TOTAL".
- Repeat steps 5 and 6 for each additional scene.

P1	IN	OUT
1	0 : 02 : 23	→ - : - : -
2		→
3		→
4		→
5		→
6		→
7		→
8		→
TC	0 : 02 : 23	TOTAL 0 : 00 : 00

P1	IN	OUT
1	0 : 02 : 23	→ 0 : 02 : 51
2		→
3		→
4		→
5		→
6		→
7		→
8		→
TC	0 : 02 : 51	TOTAL 0 : 00 : 28

7 Prepare the source tape.

Rewind the tape in the DV deck to the beginning of the scene you want to edit.

8 Prepare the VHS deck for dubbing.

- 1 Press **S-VHS**.
- 2 Search for the point where you want to start dubbing by pressing **PLAY** (▶), **FF** (▶▶) or **REW** (◀◀) then press **STOP** (■).
- 3 Press **REC** (●), then the VHS deck enters the Record Pause mode.

9 Start Random Assemble Editing.

Press **START** (or **OK**).

- Automatic editing begins; all the specified scenes are copied to the VHS deck in the order they were registered.
- The on-screen display remains while your VCR searches for each scene (blinking cursor indicates scene currently being searched for), but disappears during actual editing.
- During scene search, the VHS deck automatically enters its Record-Standby mode.
- When all registered scenes have been edited, the DV deck enters the Pause mode, the VHS deck enters its Record Pause mode, and "- : - : -" blinks at the next available number.

10 End Random Assemble Editing.

Press **R.A.EDIT** twice to return to the normal screen.

Press **STOP** (■) to stop the VHS deck's Record Pause mode.

Press **DV**, then press **STOP** (■) to stop the DV deck's Pause mode.

To Make Corrections ...

... in step 5 or 6, you can cancel registered in and out points by pressing **CANCEL**. Each time you press, the preceding point is erased.

- If, for example, you have registered 5 sets of in and out points and want to reset the first set, you have to press **CANCEL** until all points after the first set have been erased. Reenter them after you have repaired the first set of points.

NOTES:

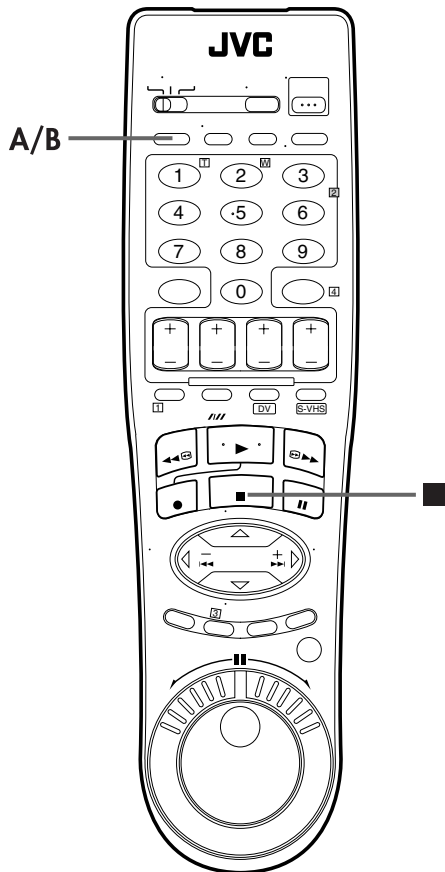
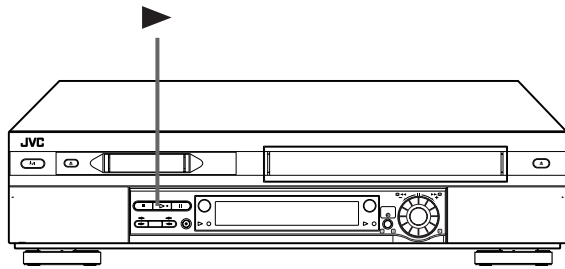
- When *Random Assemble Editing* does not work, press ►, then perform *Random Assemble Editing* again.
- To cancel the registered scene, press **CANCEL**. Each time **CANCEL** is pressed, the latest registered scene is erased.
- When the source tape has more than 2 identical time codes (pg. 41), the VCR may not find the edit-in point you set and a malfunction may occur.
- When choosing a scene, set edit-in and edit-out points so that there's a relatively large difference between them.
- If the search time for an in-point exceeds 5 minutes, the VHS deck's Record-Pause mode will be cancelled and editing will not take place.
- When there are blank portions before or after the edit-in and edit-out points, a blue-backed screen may be included in the edited version.
- Since time codes register time only as accurately as seconds, the time code total time may not match the total program time exactly.
- To use *Random Assemble Editing* consecutively for two or more programs, press **START** for each program. When dubbing from another Mini DV cassette, change the Mini DV cassette first, and then press **START**.

66 EN

REMOTE CONTROL FUNCTIONS

Remote A/B Code Switching

This Remote is capable of transmitting two control codes; one set to respond to A code control signals and another set to respond to B code control signals. This Remote control is preset to send A code signals because your VCR is initially set to respond to A code signals. You can easily modify your VCR and the Remote to respond to B code signals. When using two JVC VCRs, set two VCRs and their Remotes to different codes, so that you can operate these VCRs separately.



1 Set the remote control code for Remote.

- 1 Press and hold **A/B**.
 - 2 Press the **number key "2"**.
 - 3 Press **STOP (■)**, and release **A/B**.
- The Remote now can transmit B code control signals.

2 Check the remote control code for VCR.

Press and hold **PLAY (▶)** on the VCR for more than 5 seconds while the VCR is turned off. The code currently set appears on the display panel.

3 Change the code for VCR.

Press any key on the Remote. The VCR now responds to B code control signals.

- To set the Remote and the VCR back to A code control signals, repeat the same procedure as shown above except pressing the **number key "1"** in step 2 of 1.

To control two VCRs with the same Remote

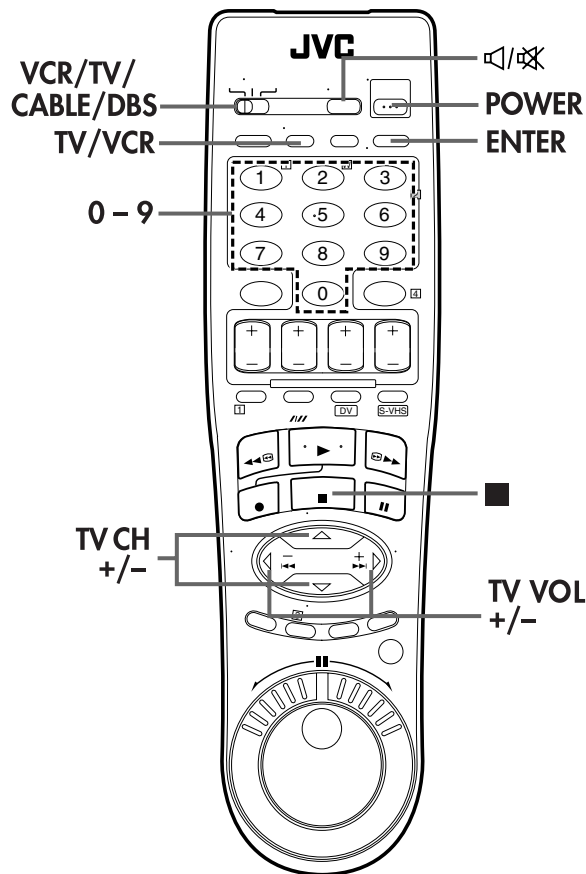
You can control two JVC VCRs by switching the remote control code for the Remote between A and B (see step 1), keeping two VCRs to different control codes.

- To change only the remote control code for the Remote, DO NOT perform steps 2 and 3.

TV Multi-Brand Remote Control

Your Remote can operate the basic functions of your TV set. In addition to JVC TVs, other manufacturer's TVs can also be controlled.

Before performing the following steps:
Turn ON the TV using its Remote.



1 Set the TV brand code.

- 1 Set the **VCR/TV/CABLE/DBS** switch on the VCR's Remote to TV.
 - 2 Press and hold **POWER**.
 - 3 Press the **number keys** to enter your TV's brand code.
 - 4 Press **STOP** (■), and release **POWER**. The TV should turn off. If it does, try other operation (☞ step 2).
- Once you have set the Remote to operate the TV, you do not have to repeat this step until you replace your Remote's batteries.
 - Some brands of TV have more than one code. If the TV does not function with one code, try entering another.

2 Operate the TV.

Press the corresponding button: **POWER**, **TV/VCR**, **TV CH +/-**, **TV VOL +/-**, **MUTE** (TV Muting), **number keys**.

- For some brands of TV, you must press **ENTER** after having pressed the **number keys**.
- To return the Remote to VCR control, Set the **VCR/TV/CABLE/DBS** switch to VCR.

BRAND NAME	CODE
JVC	01, 03
HITACHI	10
MAGNAVOX	02
MITSUBISHI	03
PANASONIC	04, 11
RCA	05
SHARP	06
SONY	07
SAMSUNG	12
SANYO	13
SEARS	13
TOSHIBA	08
ZENITH	09

IMPORTANT

Although the supplied Remote unit is compatible with JVC televisions, as well as many other models, it may not work with your TV, or in some instances, may have limited function capability.

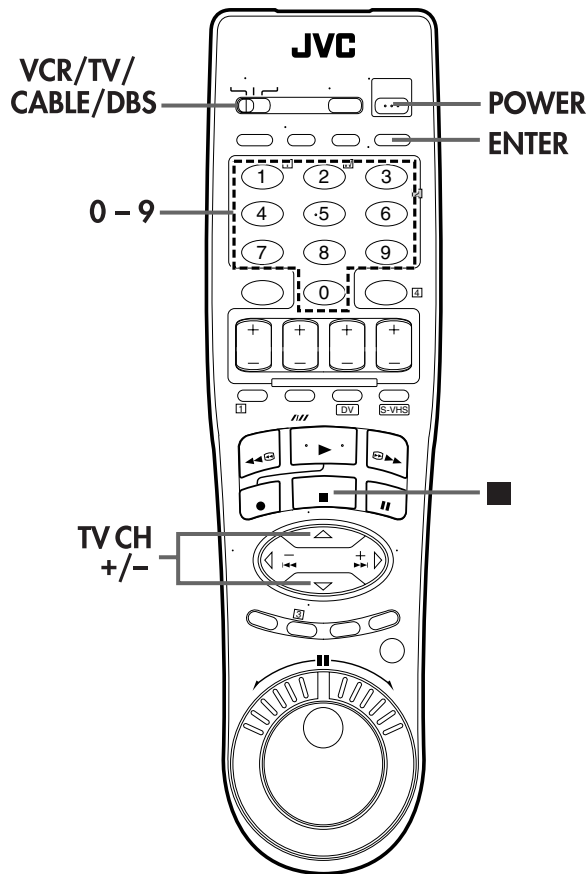
68 EN

REMOTE CONTROL FUNCTIONS (cont.)

Cable Box Multi-Brand Remote Control

Your Remote can operate the basic functions of your cable box set. In addition to JVC cable boxes, other manufacturer's cable boxes can also be controlled.

Before performing the following steps:
Turn ON the cable box using its Remote.



IMPORTANT

It may not work with your cable box, or in some instances, may have limited function capability.

NOTES:

- You must set the cable box brand for your Remote and the cable box brand for your Controller (pg. 21) separately. The list of cable box brands that can be controlled by your Remote is different from the list of brands that can be controlled by your controller.
- It's not possible to set the Remote for both your cable box and a DBS receiver at the same time. You can only set the Remote to operate one of these units at a time.

1 Set the Cable Box brand code.

- 1 Set the **VCR/TV/CABLE/DBS** switch on the VCR's Remote to **CABLE/DBS**.
 - 2 Press and hold **POWER**.
 - 3 Press the **number keys** to enter your cable box's brand code.
 - 4 Press **STOP** (■), and release **POWER**. The cable box should turn off. If it does, try other operations (step 2).
- Once you have set the Remote to operate the cable box, you do not have to repeat this step until you replace your Remote's batteries.
 - Some brands of cable box have more than one code. If the cable box does not function with one code, try entering another.

2 Operate the Cable Box.

Press the corresponding button: **POWER**, **TV CH +/-**, **number keys**.

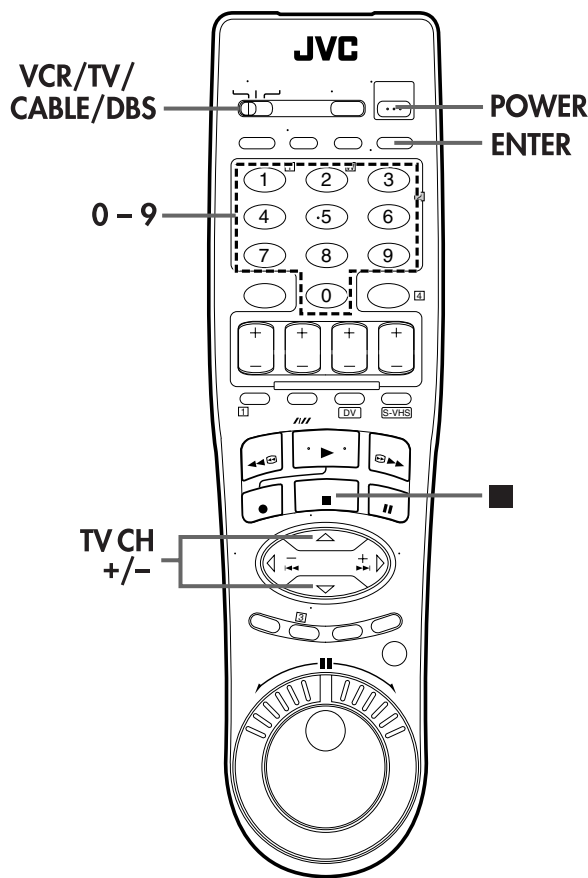
- For some brands of cable box, you must press **ENTER** after having pressed the **number keys**.
- To return the Remote to VCR control, Set the **VCR/TV/CABLE/DBS** switch to **VCR**.

BRAND NAME	CODE
ARCHER	01, 05, 17
CABLETENNA	01, 17
CABLEVIEW	15, 16, 17, 21, 25
CITIZEN	15, 16, 17, 21, 25
CURTIS	02
DIAMOND	01, 17
GC BRAND	15, 16, 17, 21, 25
GEMINI	15
GENERAL INSTRUMENTS	01, 04, 06, 11, 12, 15, 28
HAMLIN	10, 18, 23
JASCO	15
JERROLD	01, 04, 06, 11, 12, 15, 28
NOVAVISION	02
OAK	07
PANASONIC	13, 14
PULSER	15, 16, 17, 21, 25
RCA	13, 14
REGAL	10, 18, 23
REMBRANDT	01, 16, 17
SAMSUNG	05, 16, 24
SCIENTIFIC ATLANTA	02
SIGMA	07
SL MARX	05, 16, 17, 24, 25
SPRUCER	13, 14
STARGATE	05, 15, 16, 17, 21, 24, 25
TELEVIEW	05, 16, 24
TOCOM	01, 04, 16
UNIKA	01, 17
UNIVERSAL	16, 17, 25
VIDEOWAY	03, 09, 22
ZENITH	03, 09, 22

DBS Receiver Multi-Brand Remote Control

Your Remote can operate the basic functions of your DBS (Direct Broadcast Satellite) receiver set. In addition to JVC DBS receivers, other manufacturer's DBS receivers can also be controlled.

Before performing the following steps:
Turn ON the DBS receiver using its Remote.



1 Set the DBS receiver brand code.

- 1 Set the **VCR/TV/CABLE/DBS** switch on the VCR's Remote to **CABLE/DBS**.
 - 2 Press and hold **POWER**.
 - 3 Press the **number keys** to enter your DBS receiver's brand code.
 - 4 Press **STOP** (■), and release **POWER**. The DBS receiver should turn off. If it does, try other operations (☞ step 2).
- Once you have set the Remote to operate the DBS receiver, you do not have to repeat this step until you replace your Remote's batteries.
 - Some brands of DBS receiver have more than one code. If the DBS receiver does not function with one code, try entering another.

2 Operate the DBS receiver.

Press the corresponding button: **POWER**, **TV CH +/-**, **number keys**.

- For some brands of DBS receiver, you must press **ENTER** after having pressed the **number keys**.
- To return the Remote to VCR control, Set the **VCR/TV/CABLE/DBS** switch to VCR.

BRAND NAME	CODE
JVC (DISH Network)	51
ECHOSTAR (DISH Network)	51
SONY (DSS)	41
RCA (DSS)	40

NOTES:

- You must set the DBS receiver brand for your Remote and the DBS receiver brand for your Controller (☞ pg. 24) separately.
- It's not possible to operate a DBS receiver that is not equipped with a remote control sensor.
- It's not possible to set the Remote for both your DBS receiver and a cable box at the same time. You can only set the Remote to operate one of these units at a time.

IMPORTANT

Although the supplied Remote unit is compatible with JVC DBS receivers, as well as many other models, it may not work with your DBS receiver, or in some instances, may have limited function capability.

70_{EN}

SUBSIDIARY SETTINGS

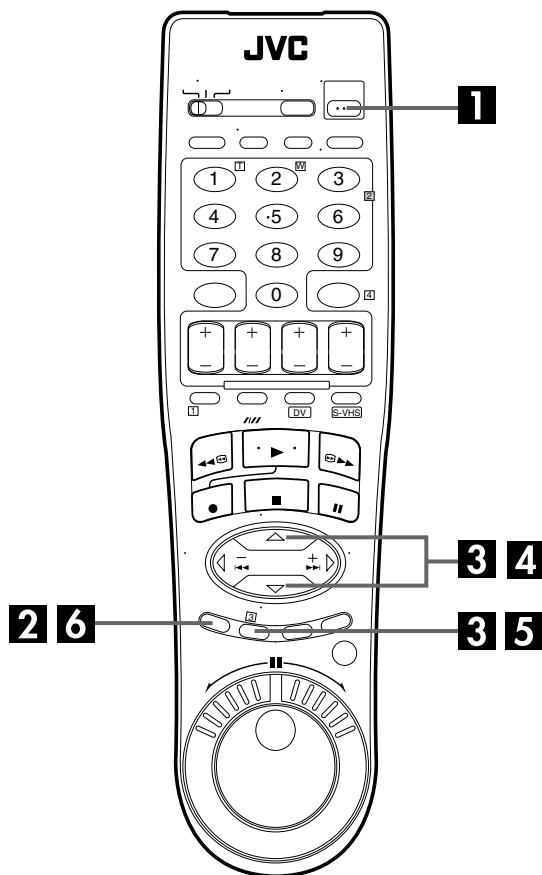
Mode Set

Turn on the TV and select the AV mode.

You can change various mode settings on TV screen by following the procedure described below. For each mode setting, see pages 71 to 76.

MODE SET	☞ pg. 71
VHS MODE SET	☞ pg. 72
DV MODE SET	☞ pg. 76

- The procedure shows how to set "SUPERIMPOSE" to "ON" on the "MODE SET" screen as an example.



1 Turn on the VCR.

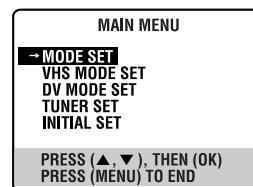
Press **POWER**.

2 Access the Main Menu screen.

Press **MENU**.

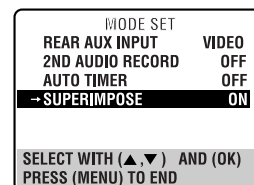
3 Access the Mode Set screen.

Press Δ / ∇ to move the highlight bar (arrow) to "MODE SET", then press **OK** or \triangleright .



4 Select the mode.

Press Δ / ∇ to move the highlight bar (arrow) to "SUPERIMPOSE".



5 Select the mode setting.

Press **OK** or \triangleright .

6 Return to the normal screen.

Press **MENU**.

MODE SET

* The default setting is **bold** in the table below.

<p>■ REAR AUX INPUT VIDEO S-VIDEO</p>	<p>Select the appropriate mode depending on the connector being used on the rear panel.</p> <p>VIDEO: To use the VIDEO input connector on the rear panel. S-VIDEO: To use the S-VIDEO input connector on the rear panel.</p>
<p>■ 2ND AUDIO RECORD ON OFF</p>	<ul style="list-style-type: none"> ● When this function is set to "ON"; If a SAP program is received, the SAP audio is recorded on both the normal and Hi-Fi tracks. The main audio is not recorded. If a non-SAP program is received, the main audio is recorded on both the Hi-Fi and normal tracks. ● When this function is set to "OFF", the SAP audio cannot be recorded. <p>NOTES: <i>When the channel is changed on the VCR;</i></p> <ul style="list-style-type: none"> ● The "STEREO" indicator appears on the screen for about 5 seconds if the program is a stereo broadcast. ● The "SAP" indicator appears on the screen for about 5 seconds if the program is a SAP broadcast. ● Both indicators appear when a stereo program is accompanied by SAP sound.
<p>■ AUTO TIMER ON OFF</p>	<p>When this function is set to "ON", the timer is automatically engaged when the VCR power is turned off, and automatically disengaged when the VCR is powered back on.</p> <p>NOTE: <i>For safety, when "AUTO TIMER" is set to "OFF", all other VCR functions are disabled while the Timer mode is engaged. To disengage the timer, press TIMER.</i></p>
<p>■ SUPERIMPOSE ON OFF</p>	<p>When this function is set to "ON", various operational indicators appear on the TV screen. Messages appear in the selected language (☞ pg. 15).</p> <p>NOTES:</p> <ul style="list-style-type: none"> ● <i>When you use this VCR as the source player for editing, be sure to set "SUPERIMPOSE" to "OFF" before starting.</i> ● <i>During playback, the operation mode indicators may be disturbed depending on the type of tape being used.</i>

VHS MODE SET

* The default setting is **bold** in the table below.

<p>■ S-VHS ET ON OFF</p>	<p>You can record on VHS cassettes with S-VHS picture quality. Tapes recorded using this function can be played back on a VCR equipped with the S-VHS ET function. When this function is set to "ON", the S-VHS indicator lights up on the front display panel.</p> <p>NOTES:</p> <ul style="list-style-type: none"> ● You can activate the S-VHS ET function only before you start recording on a VHS cassette. ● Before recording, make sure that "VIDEO CALIBRATION" is set to "ON". (☞ pg. 73) ● You cannot activate the S-VHS ET function ... <ul style="list-style-type: none"> ... while recording is in progress. ... while timer-recording or Instant Timer Recording (☞ pg. 32) is in progress. ... while Video Calibration (☞ pg. 35) is in progress. ● The S-VHS ET function does not work with S-VHS cassettes. ● To keep the highest quality recording and playback pictures over a long period of time, S-VHS recording on S-VHS cassettes is recommended. ● Use of high grade tapes is recommended for S-VHS ET recordings. On some tapes, picture quality will not improve even if the S-VHS ET function is used. Check the recording quality before you start important recordings. ● You can play back a tape recorded using the S-VHS ET function on most of S-VHS VCRs and of VHS VCRs equipped with SQPB (S-VHS QUASI PLAYBACK) function. (Notice some VCRs are not compatible with the S-VHS ET function.) ● While playing back a tape recorded using the S-VHS ET function on some VCRs, noise may appear. (If playback picture becomes blurred or interrupted, use a cleaning cassette.) ● In the high-speed search, still, slow-motion or frame-by-frame playback modes (☞ pg. 28), noise may appear. If these modes are performed frequently on a tape recorded using the S-VHS ET function, the tape may be damaged and the picture may be deteriorated.
<p>■ S-VHS MODE ON OFF</p>	<p>Your VCR can record in S-VHS (Super VHS), S-VHS ET or VHS.</p> <ul style="list-style-type: none"> ● To record in S-VHS: Set "S-VHS MODE" to "ON". Then, insert a cassette marked "S-VHS". The S-VHS indicator lights up on the front display panel. The S-VHS recording mode is selected. ● To record in S-VHS ET on a VHS cassette: Set "S-VHS ET" to "ON". (☞ See above.) Then, insert a cassette marked "VHS". The S-VHS indicator lights up on the front display panel. ● To record in VHS: Insert a cassette marked "VHS". Set "S-VHS ET" to "OFF". (☞ See above.) ● To record in VHS on an S-VHS cassette: Insert a cassette marked "S-VHS". The S-VHS indicator lights up on the front display panel. Then, set "S-VHS MODE" to "OFF". The S-VHS indicator goes off. The VHS recording mode is selected. <p>NOTE: When playing back a tape that has been recorded in S-VHS or S-VHS ET, the S-VHS indicator lights up on the front display panel regardless of the "S-VHS MODE" setting.</p>

VHS MODE SET (cont.)

* The default setting is **bold** in the table below.

<p>■ VIDEO CALIBRATION ON OFF</p>	<p>When this function is set to "ON", this VCR checks the condition of the tape in use during playback and recording, and compensates to provide the highest-possible pictures. This takes place whenever you play back a tape or start recording after inserting a tape. (☞ pg. 35)</p>
<p>■ PICTURE CONTROL AUTO EDIT SOFT SHARP</p>	<p>This feature helps you to adjust the playback picture quality according to your preference. Normally select "AUTO".</p> <p>AUTO: Provides the optimized picture benefits of the VIDEO CALIBRATION Picture System.</p> <p>EDIT: Minimizes picture degradation during editing (recording and playback).</p> <p>SOFT: Reduces image coarseness when viewing overplayed tapes containing a lot of noise.</p> <p>SHARP: Clearer, sharper-edged picture when viewing images with lots of flat, same-coloured surfaces such as cartoons.</p> <p>NOTES:</p> <ul style="list-style-type: none"> • When you select "EDIT", "SOFT" or "SHARP", the selected mode will not change until you select another mode. • When you select "EDIT" to dub tapes, be sure to select "AUTO" after you finish dubbing the tapes. • When "VIDEO CALIBRATION" is "OFF", "PICTURE CONTROL" switches automatically from "AUTO" to "NORM".
<p>■ FRONT AUX INPUT VIDEO S-VIDEO</p>	<p>Select the appropriate mode depending on the connector being used on the front panel.</p> <p>VIDEO: To use the VIDEO input connector on the front panel.</p> <p>S-VIDEO: To use the S-VIDEO input connector on the front panel.</p>

VHS MODE SET (cont.)

* The default setting is **bold** in the table below.

<p>■ AUTO SP→EP TIMER ON OFF</p>	<p>When this function is set to "ON", the VCR automatically switches to EP mode to allow complete recording if there is not enough tape to record the entire program while timer-recording in SP mode.</p> <p>For Example . . . Recording a program of 140 minutes in length onto a 120-minute tape</p> <table border="1" style="margin-left: auto; margin-right: auto;"> <tr> <td style="text-align: center;">Approximately 110 minutes</td> <td style="text-align: center;">Approximately 30 minutes</td> </tr> <tr> <td style="text-align: center;">SP mode</td> <td style="text-align: center;">EP mode</td> </tr> <tr> <td colspan="2" style="text-align: center;">Total 140 minutes</td> </tr> </table> <p>Make sure you set this function to "ON", before the timer-recording starts.</p> <p>NOTES:</p> <ul style="list-style-type: none"> ● If you have programmed the VCR to timer-record 2 or more programs, the second program and those thereafter may not fit on the tape if you set "AUTO SP→EP TIMER" to "ON". In this case, make sure the mode is not engaged, then set the tape speed manually during timer programming. ● In order to ensure that the recording fits on the tape, this feature may leave a slight non-recorded section at the end of the tape. ● There may be some noise and sound disturbance at the point on the tape where the VCR switches from SP to EP mode. ● The Auto SP→EP Timer feature is not available during ITR (Instant Timer Recording), and the feature will not work properly on the following tapes: T(ST)-30, T(ST)-60, T(ST)-90, and T(ST)-120. 	Approximately 110 minutes	Approximately 30 minutes	SP mode	EP mode	Total 140 minutes	
Approximately 110 minutes	Approximately 30 minutes						
SP mode	EP mode						
Total 140 minutes							
<p>■ BLUE BACK ON OFF</p>	<p>When this function is set to "ON", the TV screen becomes all blue when receiving a channel not in use.</p> <p>NOTE: When you want to receive an unstable channel with poor signals, set this function to "OFF".</p>						
<p>■ DIGITAL TBC/NR ON OFF</p>	<p>Your VCR is equipped with the Digital TBC (Time Base Corrector) that removes jitter from fluctuating video signals to deliver a stable picture even with old tapes and rental cassettes.</p> <p>The on/off of Digital 3-DNR (Noise Reduction) which cuts noise and enables clear picture reproduction is also linked to this function.</p> <p>We recommend that you set "DIGITAL TBC/NR" to "ON" when ...</p> <ul style="list-style-type: none"> ... playing back a tape recorded on a camcorder. ... playing back a tape repeatedly used. ... using this VCR as the source player for editing. <p>NOTES:</p> <ul style="list-style-type: none"> ● If you play back a tape recorded under poor TV reception condition, the picture may become more stable with Digital TBC/NR set to off. ● When "DIGITAL TBC/NR" is set to "ON", if you play back a tape where certain types of signals are recorded (using a PC or some character generators), the playback picture may be distorted. If this is the case, set "DIGITAL TBC/NR" to "OFF". 						

VHS MODE SET (cont.)

* The default setting is **bold** in the table below.

<p>■ VIDEO STABILIZER ON OFF</p>	<p>When this function is set to "ON", you can automatically correct vertical vibration in the picture when playing back unstable recordings made on another VCR.</p> <p>NOTES:</p> <ul style="list-style-type: none"> • When you finish viewing a tape, be sure to set this function to "OFF". • Regardless of the setting, this function has no effect during recording and during special effects playback. • The on-screen display may jitter vertically when this function is set to "ON". • To watch recordings with close-caption, set this function to "OFF". • Video Stabilizer and Digital TBC/NR cannot be used at the same time. If you activate Digital TBC/NR when "VIDEO STABILIZER" is set to "ON", Video Stabilizer will be automatically turned "OFF".
<p>■ DIGITAL R3 ON OFF</p>	<p>When this function is set to "ON", the Digital R3 picture system applies edge correction to the luminance signal to enhance details.</p> <p>NOTES:</p> <ul style="list-style-type: none"> • Normally it is recommended to keep "DIGITAL R3" set to "ON". • Depending on the type of tape being used, picture quality may be better with "DIGITAL R3" set to "OFF". • If you use the VCR as the source player for editing, be sure to set "DIGITAL R3" to "OFF" before starting.
<p>■ AUDIO MONITOR HI-FI HI-FI L HI-FI R NORM MIX</p>	<p>This VCR can record two sound tracks simultaneously (normal and Hi-Fi) on a Hi-Fi stereo tape. You can select the sound track(s) to listen to while playing back a Hi-Fi stereo tape. In addition, when playing back a prerecorded tape containing two separate audio programs on the Hi-Fi tracks, you can choose either one by selecting either "HI-FI L" or "HI-FI R".</p> <p>HI-FI: Normally select this. Hi-Fi sound is played back. HI-FI L: Sound on the left Hi-Fi channel is played back. HI-FI R: Sound on the right Hi-Fi channel is played back. NORM: Sound on the normal track is played back. MIX: Both sounds on the Hi-Fi track and normal track are mixed and played back.</p> <p>NOTES:</p> <ul style="list-style-type: none"> • While playing back a monaural tape, sounds on the normal track will be heard regardless of this setting. • You can also use the A. MONITOR button on the Remote to select the desired monitor sound. (☞ pg. 31)

76_{EN}

SUBSIDIARY SETTINGS (cont.)

DV MODE SET

* The default setting is **bold** in the table below.

<p>■ SOUND MODE 12BIT 16BIT</p>	<p>Select the appropriate mode before recording on a Mini DV tape.</p> <p>12BIT: Enables Audio Dubbing later. 16BIT: Audio Dubbing is impossible but the recorded sound quality is higher than "12BIT".</p>
<p>■ 12BIT MODE SOUND1 SOUND2 FULL</p>	<p>Select the appropriate mode when playing back an audio-dubbed Mini DV tape.</p> <p>SOUND1: Original recorded sound SOUND2: Audio-dubbed sound FULL: Original recorded sound and Audio-dubbed sound</p> <p>NOTES:</p> <ul style="list-style-type: none"> • When "12BIT MODE" is set to "FULL", both the main and sub audio will be audible. • To select only the main audio or only the sub audio of bilingual tapes, set "12BIT MODE" to "SOUND1".
<p>■ TIME CODE ON OFF</p>	<p>When this function is set to "ON", the time code always appears on the TV screen while the DV deck is being selected.</p> <p>When this function is set to "OFF", the time code appears on the TV screen only by pressing --:--. (pg. 11, 41)</p>

TROUBLESHOOTING

EN 77

Before requesting service for a problem, use this chart and see if you can repair the trouble yourself. Small problems are often easily corrected, and this can save you the trouble of sending your VCR off for repair.

POWER

SYMPTOM	POSSIBLE CAUSE	CORRECTIVE ACTION
1. No power is supplied to the VCR.	<ul style="list-style-type: none"> The AC power cord is disconnected. 	Connect the AC power cord.
2. The clock is functioning properly, but the VCR cannot be powered.	<ul style="list-style-type: none"> "⊖" is displayed on the front display panel with "AUTO TIMER" set to "OFF". 	Press the TIMER button to turn the "⊖" indicator off.
3. The Remote won't function.	<ul style="list-style-type: none"> The batteries are discharged. 	Replace the dead batteries with new ones.

TAPE TRANSPORT

SYMPTOM	POSSIBLE CAUSE	CORRECTIVE ACTION
1. The tape does not run during recording.	<ul style="list-style-type: none"> "⏏" is displayed on the front display panel. 	Press PLAY (▶) to turn the "⏏" indicator off.
2. The tape will not rewind or fast-forward.	<ul style="list-style-type: none"> The tape is already fully rewound or fast-forwarded. 	Check the cassette.

PLAYBACK

SYMPTOM	POSSIBLE CAUSE	CORRECTIVE ACTION
1. The playback picture does not appear while the tape is running.	<ul style="list-style-type: none"> The TV receiver is not set to the AV mode. 	Set the TV to its AV mode.
2. Noise appears during visual search.	<ul style="list-style-type: none"> This is normal. 	
3. Noise appears during normal playback. (VHS deck only)	<ul style="list-style-type: none"> The automatic tracking mode is engaged. 	Try manual tracking. (☞ pg. 31)
4. The playback picture is blurred or interrupted while TV broadcasts are clear or "USE CLEANING CASSETTE" message appears on the screen.	<ul style="list-style-type: none"> The video heads may be dirty. 	<p>For the VHS deck Use a dry cleaning cassette TCL-2, or consult your JVC dealer.</p> <p>For the DV deck Use a dry cleaning cassette M-DV12CL, or consult your JVC dealer.</p>
5. Breaks are noticeable in Hi-Fi soundtrack. (VHS deck only)	<ul style="list-style-type: none"> The automatic tracking mode is engaged. 	Try manual tracking. (☞ pg. 31)

78_{EN}

TROUBLESHOOTING (cont.)

RECORDING

SYMPTOM	POSSIBLE CAUSE	CORRECTIVE ACTION
1. Recording cannot be started.	<ul style="list-style-type: none"> ● For the VHS deck There is no cassette loaded, or the cassette loaded has had its record safety tab removed. ● For the DV deck There is no cassette loaded, or the cassette loaded has had its erase protection switch set to "SAVE". 	<p>Insert a VHS (or S-VHS) cassette, or using adhesive tape, cover the hole where the tab was removed.</p> <p>Insert a Mini DV cassette, or set the erase protection switch set to "REC".</p>
2. TV broadcasts cannot be recorded.	<ul style="list-style-type: none"> ● "L-1" or "F-1" has been selected as the input mode. 	Set to the desired channel.
3. Tape-to-tape editing using another component is not possible.	<ul style="list-style-type: none"> ● The components have been incorrectly connected, or correct video connector (S-VIDEO or VIDEO) is not selected. ● All necessary power switches have not been turned on. ● The input mode is not correct. 	<p>Connect the components correctly (☞ pg. 56 – 62) or check "REAR AUX INPUT" or "FRONT AUX INPUT" setting. (☞ pg. 71, 73)</p> <p>Confirm that all units' power switches are turned on.</p> <p>Set the input mode to "L-1" or "F-1".</p>
4. Camcorder recording is not possible.	<ul style="list-style-type: none"> ● The camcorder has not been properly connected. ● The input mode is not correct. 	<p>Confirm that the camcorder is properly connected. (☞ pg. 56)</p> <p>Set the input mode to "L-1" or "F-1".</p>
5. "⏮" on the front display panel won't stop blinking.	<ul style="list-style-type: none"> ● The end of the tape was reached during recording. 	The program may not have been recorded in its entirety. Next time make sure you have enough time on the tape to record the entire program.
6. Audio dubbing is not possible.	<ul style="list-style-type: none"> ● For the DV deck ● "SOUND MODE" had been set to "16BIT" at the original recording. ● The tape speed had been set to LP at the original recording. 	<p>Set "SOUND MODE" to "12BIT" at the original recording. (☞ pg. 76)</p> <p>Set the tape speed to SP at the original recording.</p>
7. Monitoring the audio-dubbed sound is not possible during audio dubbing using the DV deck.	<ul style="list-style-type: none"> ● This is normal. 	Set "12BIT MODE" to "SOUND 2" or monitor the sound using the connected devices.
8. The programed memory of Random Assemble Editing is disappeared.	<ul style="list-style-type: none"> ● The memory backup time has expired. 	Perform Random Assemble Editing again. (☞ pg. 64)
9. When performing Normal Dubbing, the beginning of the dubbing start point is not dubbed.	<ul style="list-style-type: none"> ● This is normal. 	Locate the start point a little before the point where you want to start dubbing. (☞ pg. 54, 55)

TIMER RECORDING

SYMPTOM	POSSIBLE CAUSE	CORRECTIVE ACTION
1. Timer recording won't work.	<ul style="list-style-type: none"> • The clock and/or the timer have been set incorrectly. • The timer is not engaged. • Timer recording may not work when the VCR's input mode is set to "F-1" for recording on the DV deck. 	<p>Re-perform the clock and/or timer settings.</p> <p>Press TIMER and confirm that "Ⓣ" is displayed on the front display panel.</p> <p>Set the channel position other than "F-1" before engaging to Timer-Standby mode.</p>
2. Timer programing is not possible.	<ul style="list-style-type: none"> • Timer recording is in progress. 	<p>Timer programing can't be performed while a timer recording is in progress. Wait until it finishes.</p>
3. "Ⓣ" and "Ⓞ" on the front display panel won't stop blinking.	<ul style="list-style-type: none"> • The timer is engaged but there's no cassette loaded. • The end of the tape was reached during timer recording. • VHS deck The loaded cassette has had its record safety tab removed. • DV deck The loaded cassette has had its erase protection switch set to "SAVE". 	<p>For the VHS deck Insert a VHS (or S-VHS) cassette with the record safety tab intact, or cover the hole using adhesive tape.</p> <p>For the DV deck Insert a Mini DV cassette with the erase protection switch set to "REC".</p> <p>The program may not have been recorded in its entirety. Next time make sure you have enough time on the tape to record the entire program.</p> <p>Remove the cassette and cover the hole with adhesive tape, or insert a cassette with the record safety tab intact.</p> <p>Remove the cassette and set the erase protection switch to "REC".</p>
4. "Ⓣ" blinks for 10 seconds and the Timer mode is disengaged.	<ul style="list-style-type: none"> • TIMER has been pressed when there are no programs in memory, or the timer record information has been programed incorrectly. 	<p>Check the programed data and re-program as necessary, then press TIMER again.</p>
5. The VCR Plus+ system does not timer-record properly.	<ul style="list-style-type: none"> • The VCR's channel positions have been set incorrectly. 	<p>Refer to "Guide Channel Number Set" (pg. 44) and re-perform the procedure.</p>
6. The power shuts off and "Ⓞ" won't stop blinking.	<ul style="list-style-type: none"> • The end of the tape was reached during Instant Timer Recording. 	<p>The program may not have been recorded in its entirety. Next time make sure you have enough time on the tape to record the entire program.</p>

TIMER RECORDING (cont.)

SYMPTOM	POSSIBLE CAUSE	CORRECTIVE ACTION
7. Cable channels are not automatically switched during timer recording.	<ul style="list-style-type: none"> • The Controller is not properly connected to the VCR. • The output channel selected in the Cable Box Set screen is incorrect. • The cable box is turned off. 	<p>Connect the Controller correctly (☞ pg. 20).</p> <p>After confirming your cable box's output channel number, re-access the Cable Box Set screen and select the correct number (☞ pg. 21).</p> <p>Make sure the power is on before timer recording starts.</p>
8. Satellite channels are not automatically switched during timer recording.	<ul style="list-style-type: none"> • The Controller is not properly connected to the VCR. • The output channel selected in the DBS Receiver Set screen is incorrect. • The VCR is not set correctly to control the DBS receiver. • The DBS receiver is turned off. 	<p>Connect the Controller correctly (☞ pg. 23).</p> <p>After confirming your DBS receiver's output channel number, re-access the DBS Receiver Set screen and select the correct number (☞ pg. 24).</p> <p>Set the correct DBS receiver brand code (☞ pg. 24).</p> <p>Make sure the power is on before timer recording starts.</p>
9. Timer recording begins as scheduled, but the channel is always incorrect.	<ul style="list-style-type: none"> • Even though you do not use an external cable box or DBS receiver, "CABLE BOX SET" is set to "ON" or "DBS RECEIVER SET" is set to "ON". 	<p>Set "CABLE BOX SET" to "OFF" (☞ pg. 21) or "DBS RECEIVER SET" is set to "OFF" (☞ pg. 24).</p>

OTHER PROBLEMS

SYMPTOM	POSSIBLE CAUSE	CORRECTIVE ACTION
1. Whistling or howling is heard from the TV during camcorder recording.	<ul style="list-style-type: none"> • The camcorder's microphone is too close to the TV. • The TV's volume is too high. 	<p>Position the camcorder so its microphone is away from the TV.</p> <p>Turn the TV's volume down.</p>
2. When scanning channels, some of them are skipped over.	<ul style="list-style-type: none"> • Those channels have been designated to be skipped. 	<p>If you need the skipped channels, restore them (☞ pg. 19).</p>
3. The channel cannot be changed.	<ul style="list-style-type: none"> • Recording is in progress. 	<p>Press PAUSE (II) to pause the recording, change channels, then press PLAY (▶) to resume recording.</p>
4. Channel settings that were made manually seem to have changed or disappeared.	<ul style="list-style-type: none"> • After the manual settings were made, Auto Channel Set was performed. 	<p>Perform manual setting again.</p>
5. The Remote will not operate your TV or cable box or DBS receiver.	<ul style="list-style-type: none"> • The brand codes are set incorrectly. 	<p>Reset the correct brand codes (☞ pg. 67, 68, or 69).</p>
6. Even though Auto or Semiauto Clock Set has been performed, the clock is incorrect.	<ul style="list-style-type: none"> • The clock setting data received from the host channel is incorrect. 	<p>Select a different host channel during "Semiauto Clock Set" (☞ pg. 17), or perform "Manual Clock Set" (☞ pg. 17).</p>
7. No picture appears when you connect a device to DV IN/OUT connector.		<p>Turn off the VCR or the connected appliance once, then turn it on again.</p>

ATTENTION

This VCR contains microcomputers. External electronic noise or interference can cause microcomputer to malfunction. If the VCR does not operate correctly switch its power off and unplug the AC power cord from the AC supply. Wait for a while and then plug the power cord back in. Eject and check the condition of the cassette. If everything appears normal, you can operate the VCR as usual.

QUESTIONS AND ANSWERS

EN 81

PLAYBACK

Q. What happens if the end of the tape is reached during playback or search?

A. The tape is automatically rewound to the beginning.

Q. Can the VCR indefinitely remain in the Pause mode?

A. No. It stops automatically after 5 minutes on the VHS deck, 3 minutes on the DV deck to protect the heads.

Q. When returning from variable-speed search to normal playback, the picture is disturbed. Should I be concerned about this?

A. No, it is normal.

Q. Noise bar appear during variable-speed search. What's the problem?

A. This is normal.

Q. Sometimes, during Index Search, the VCR can't find the program I want to see. Why not?

A. There may be index codes too close together.

RECORDING

Q. When I pause and then resume a recording, the end of the recording before the pause is overlapped by the beginning of the continuation of recording. Why does this happen?

A. This is normal. It reduces distortion at the pause and resume points.

Q. Can the VCR indefinitely remain in the Record-Pause mode?

A. No. The VCR goes to its Stop mode automatically after 5 minutes to protect the heads.

Q. What happens if the tape runs out during recording?

A. The VCR stops recording, and "00" on the front display panel won't stop blinking.

TIMER RECORDING

Q. "⊙" and "⊖" remain lit on the front display panel. Is there a problem?

A. No. This is a normal condition for a timer recording in progress.

Q. Can I program the timer while I'm watching a tape or a TV broadcast?

A. You won't see the picture as it is replaced by the on-screen menu, but the audio from the program or tape you're viewing can be heard.

82 EN

SPECIFICATIONS

GENERAL

Power requirement : AC 120 V~, 60 Hz
 Power consumption
 Power on : 35 W
 Power off : 4.4 W
 Temperature
 Operating : 5°C to 40°C (41°F to 104°F)
 Storage : -20°C to 60°C (-4°F to 140°F)
 Operating position : Horizontal only
 Dimensions (WxHxD)
 : 435 mm x 106 mm x 380 mm
 (17-3/16" x 4-3/16" x 15")
 Weight : 5.1 kg
 (11.2 lbs)
 Input/Output : RCA connectors:
 IN x 2, OUT x 2
 S-Video connectors:
 IN x 2, OUT x 2
 DV connector:
 IN/OUT x 1 (4-pin, IEEE1394
 conformity, digital input/output)

VHS DECK VIDEO/AUDIO

Signal system : NTSC-type color signal and EIA
 monochrome signal, 525 lines/
 60 fields
 Recording system : DA4 (Double Azimuth) head helical
 scan system
 Format : S-VHS/VHS NTSC standard
 Signal-to-noise ratio: 45 dB
 Horizontal resolution
 : 230 lines (VHS)
 400 lines (S-VHS)
 Frequency range : 70 Hz to 10,000 Hz (Normal audio)
 20 Hz to 20,000 Hz (Hi-Fi audio)
 Maximum recording time
 (SP) : 210 min. with ST-210 video cassette
 (LP) : 630 min. with ST-210 video cassette

DV DECK VIDEO/AUDIO

Signal system : NTSC-type colour signal, 525 lines
 60 fields
 Recording system : Digital Component Recording
 Format : DV format (SD mode)
 Cassette : Mini DV Cassette
 Maximum recording time
 (SP) : 80 min. with M-DV80ME cassette
 (LP) : 120 min. with M-DV80ME cassette
 Audio recording system
 : PCM 48 kHz, 16 bit (2 ch)/
 32 kHz, 12 bit (4 ch)

TUNER

Tuning system : Frequency synthesized tuner
 Channel coverage
 VHF : Channels 2-13
 UHF : Channels 14-69
 CATV : 113 Channels

TIMER

Clock reference : Quartz
 Program capacity : 1-year programmable timer/
 6 programs each on the VHS and
 DV deck
 Memory backup time : Approx. 10 min.

ACCESSORIES

Provided accessories
 : RF cable (F-type),
 BNC/RCA adapter x 2,
 Audio/Video cable,
 S-Video cable (4-pin),
 Controller,
 Infrared remote control unit,
 "AA" battery x 2

*Specifications shown are for SP mode unless otherwise specified.
 E.& O.E. Design and specifications subject to change without
 notice.*

This equipment has been tested and found to comply with the limits for a Class B digital device, pursuant to Part 15 of the FCC Rules. These limits are designed to provide reasonable protection against harmful interference in a residential installation. This equipment generates, uses, and can radiate radio frequency energy and, if not installed and used in accordance with the instructions, may cause harmful interference to radio communications. However, there is no guarantee that interference will not occur in a particular installation. If this equipment does cause harmful interference to radio or television reception, which can be determined by turning the equipment off and on, the user is encouraged to try to correct the interference by one or more of the following measures:

- Reorient or relocate the receiving antenna.
- Increase the separation between the equipment and receiver.
- Connect the equipment into an outlet on a circuit different from that to which the receiver is connected.
- Consult the dealer or an experienced radio/TV technician for help.

INDEX

EN 83

A

Active Video Calibration 35
 Advantages of S-VHS video recorders 59
 Audio Dubbing 60
 AUDIO MONITOR 75
 Auto Channel Set 18
 AUTO SP→EP TIMER 74
 AUTO TIMER 71
 AV Insert Editing 63

B

BLUE BACK 74

C

Cable box 20
 Cable Box Control Setting 20
 Cable Box Multi-Brand Remote Control 68
 Changing VCR Plus+® Setting 44
 Check, cancel and change programs 50
 Clock Set 16
 Controller 20, 23

D

DBS receiver 23
 DBS Receiver Control Setting 23
 DBS Receiver Multi-Brand Remote Control 69
 DIGITAL R3 75
 DIGITAL TBC/NR 74

E

EDITING 52
 Elapsed Recording Time Indication 33
 Express Timer Programming 46

F

FRONT AUX INPUT 73

G

Guide Channel Number Set 43, 44

H

High-Speed (Turbo) Search (On the Remote) 29, 39
 High-Speed (Turbo) Search (On the VCR) 28, 38

I

Index Search 30
 Insert Editing 62
 Instant Timer Recording (ITR) 32, 41

L

Language 15

M

Manual Channel Set 19
 Manual Clock Set 17
 Manual Tracking 31
 Mode Set 70

N

Next Function Memory 30, 40
 Normal Dubbing (from DV to VHS) 54
 Normal Dubbing (from VHS to DV) 55

O

ON-SCREEN DISPLAY (for DV deck) 11
 ON-SCREEN DISPLAY (for VHS deck) 10

P

PICTURE CONTROL 73
 PLAYBACK/RECORDING ON DV DECK 36
 PLAYBACK/RECORDING ON VHS DECK 26
 Plug & Play Set 14

R

Random Assemble Editing 64
 REAR AUX INPUT 71
 Record One Program While Watching Another 32, 41
 Recording Resume Function 32, 41
 Remote A/B Code Switching 66
 Repeat Playback 30
 Retake 34

S

Second Audio Recording 34, 41
 Semiauto Clock Set 17
 Slow Motion (On the Remote) 29, 39
 Slow Motion (On the VCR) 28, 38
 SOUND MODE 76
 Soundtrack Selection 31, 40
 Still Picture/Frame-By-Frame Playback (On the Remote) 29, 39
 Still Picture/Frame-By-Frame Playback (On the VCR) ... 28, 38
 SUPERIMPOSE 71
 S-VHS ET 72
 S-VHS MODE 72

T

Tape Dubbing (from DV to VHS) 52
 Tape Dubbing (from VHS to DV) 53
 Tape Position Indicator 10
 Tape Remaining Time 33
 Time Code 11, 41, 76
 TIMER RECORDING 42
 Timer Warning Display 10, 11
 Tuner Set 18
 TV Multi-Brand Remote Control 67

V

Variable Speed Search (On the Remote) 29, 39
 Variable Speed Search (On the VCR) 28, 38
 VCR Plus+® Timer Programing 42
 VIDEO CALIBRATION 73
 VIDEO STABILIZER 75

W

When programs overlap each other 51
 12BIT MODE 76
 24HR Quick Programing 48
 2ND AUDIO RECORD 71

EN

SR-VS30U

JVC
VICTOR COMPANY OF JAPAN, LIMITED